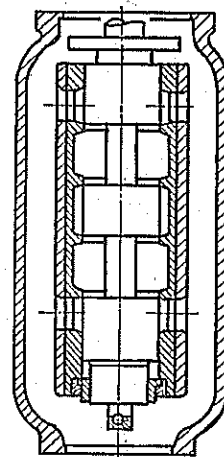
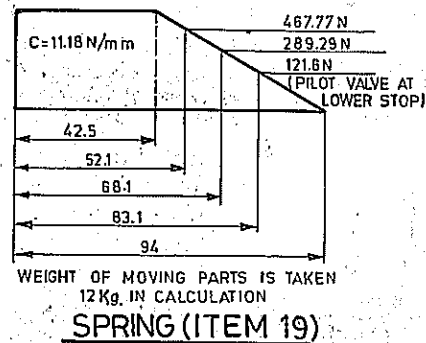
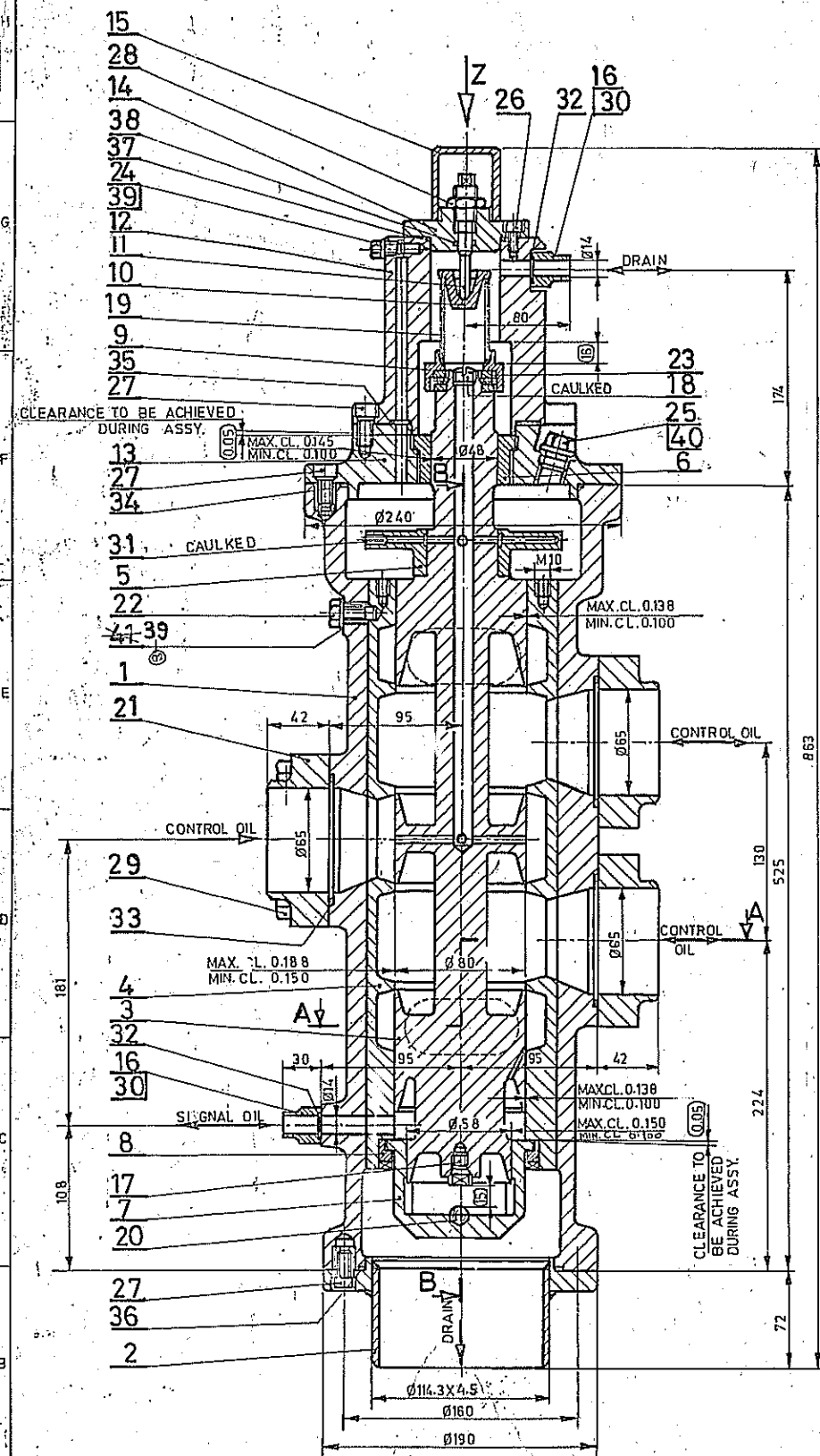
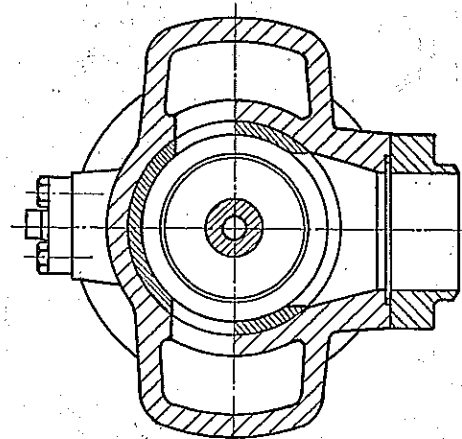


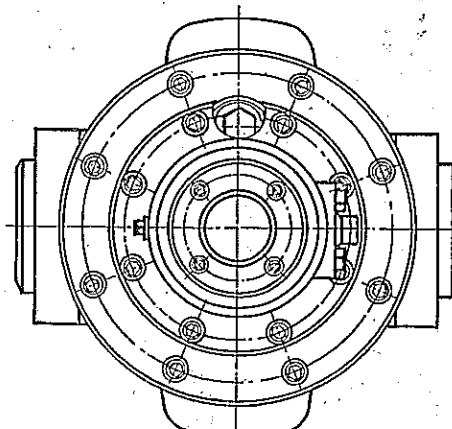
0010-80321-1  
DRAWING NUMBER



SECTION B-B



SECTION A-A



VIEW Z

QTY. VAR.00	REMARKS	ITEM NO.	DESCRIPTION	DRAWING NO.	MATERIAL CODE	UNIT WT.(Kg)	ZONE	KWJ	ITEM NO.
001		041	SCREW-LOCK M10	L-12302-01005	W9737160301- AKULON-	0.004	02	49	
001		040	SEALING WASHER A20X24	ST24002.030	W9737160106 AA12028	0.002	F9	48	
002		039	SEALING WASHER M10X3	ST24002.015	W9737160105 AA12028	0.001	F12	47	
001		038	O-RING 12X3	ST24001.009	W9735980109 VITON-700	0.001	F12	45	

NOTE: DIMENSIONS WITH  $\varnothing$  ARE TO BE CONTROLLED DURING ASSEMBLY.

QTY. VAR.00	REMARKS	ITEM NO.	DESCRIPTION	DRAWING NO.	MATERIAL CODE	UNIT WT.(Kg)	ZONE	KWJ	ITEM NO.
001		037	O-RING 52X3	ST24001.036	W9735980107 VITON-700	0.003	F12	44	
001		036	O-RING 129X4	ST24001.058	W9735980117 VITON-700	0.019	F12	43	
001		035	O-RING 108X3	ST24001.052	W9735980115 VITON-700	0.01	F12	42	
001		034	O-RING 180X4	ST24001.070	W9735980119 VITON-700	0.02	F12	41	
003		033	O-RING 74X3	ST24001.044	W9735980118 VITON-700	0.004	F12	40	
002		032	O-RING 16X3	ST24001.013	W9735980101 VITON-700	0.001	F12	39	
003		031	GRUB SCREW CM6X15 IS 6094-71	IS 6094-71	W9737121001 IS 6094-71	0.01	F12	38	
004		030	SCRU HEX PM10X25-88/R16	AA7121123	AA712123223 AA7121123	0.026	F12	37	
012		029	SCRU HEX PM16X35-88/R16	AA7121123	AA712123509 AA7121123	0.085	F12	36	
001		028	LOCK NUT HEX FP M16X1.5-8	AA7151256	HW7151256965 AA7151256	0.025	F12	35	
024		027	SCRU CAP SOC PM10X20	AA7123123	AA7123123140 AA7123123	0.023	F12	34	
004		026	SCRU CAP SOC P M8X16	AA7123123	HW7123123691 AA7123123	0.011	F12	33	
001		025	PLUG M20X1.5	23.8322.020	AA102028163 AA10208	0.117	F9	32	
001		024	PLUG M10X1.25	23.8322.011	AA102028120 AA10208	0.021	F12	31	
001		023	SINGLE THRUSTY BALL BEARING	SKF51205	AA7215502066 SKF51205	0.12	F9	30	
001		022	SCRU HEX PM10X30-88/R16	AA7121123	AA712123231 AA7121123	0.029	F12	29	
003		021	FLANGE 65-76-1-4	3ST40012.015	AA1011819210 AA10119	1.70	F12	28	
001		020	BALL 12	3ST22003.012	W9737210102 103 Cr 2	0.001	F12	27	
001		019	COMPRESSION SPRING 4.25X3.5	3ST27001.002	W9737219101 GR3 IS:4.454	0.12	F12	26	
001		018	SPECIAL SCREW -4-12308-01011	-4-12308-01011	AA102028112 AA10208	0.025	F9	25	
001		017	SPECIAL SCREW M12	3ST01025.012	AA1050202201 AA10502	0.025	F12	24	
002		016	FLANGE C10-172	3ST40006.012	AA1011819171 AA10119	0.20	F12	23	
001		015	CAP -4-12308-01009	-4-12308-01009	AA1020218193 AA10218	0.10	F12	22	
001		014	COVER -4-12308-01008	-4-12308-01008	AA1020218991 AA10218	0.95	F12	21	
001		013	COVER -2-12308-01007	-2-12308-01007	AA1015227120 AA19332	8.9	F12	20	
001		012	COVER -2-12308-01006	-2-12308-01006	AA1015227090 AA19332	11.6	F12	19	
001		011	STEM -4-12308-01005	-4-12308-01005	H 71080296018 H18Cr45 IS-374.9	0.07	F12	18	
001		010	SPRING SUPPORT -4-12308-01004	-4-12308-01004	AA1020218177 AA10218	0.19	F12	17	
001		009	SPRING SUPPORT -4-12308-01003	-4-12308-01003	AA1020218207 AA10218	0.19	F12	16	
001		008	SLOTTED NUT M10X2	3-11404-01035	HW1020218991 AA10218	0.52	F12	15	
001		007	BUSH -3-12302-01003	-3-12302-01003	HW1020218932 AA10218	1.35	F12	14	
001		006	BUSH -4-12308-01002	-4-12308-01002	W9735980105 AA19936	0.54	F9	13	
001		005	WHEEL -3-12302-01011	-3-12302-01011	AA1020218959 AA10218	1.90	F12	12	
001		004	LINER 160	-2-12302-01001	HW1020218967 AA10218	13.00	F12	11	
001		003	PILOT VALVE 160	-2-12308-01001	HW1060297191 HW9500.213	19.00	F12	10	
001		SUB-ASSY. 002	FLANGE	-2-12302-01020		2.65	F12	6	
001		SUB-ASSY. 001	CHANGE OVER VALVE CASING	-1-12302-01030		18.70	F12	1	

GR. SP. NO. GMSI-12308-01000 STATUS OF DRG. TYPE OF PRODUCT OR NAME OF CUSTOMER/PROJECT STEAM TURBINE 200/210 MW

APPROVED BY: STT A.S. PAIK SIGN: AS DATE: 22.9.82

DISTRIBUTION STM-4 TGX STE-1 FBM-4 STM-1

BHARAT HEAVY ELECTRICALS LIMITED BHOVAL

DEPT. STE 401 SCALE NTS WEIGHT (KG) 79.2 REP. TO ASSY. DRG. 0-12308-01000 ITEM NO. 000

TITLE: PILOT VALVE -LPB CONTROL VALVE

DRAWN: S.S.B. SIGN: AS DATE: 24.6.80 CHECKED: A.K.S. SIGN: AS DATE: 27.8.80 APPROVED: M.R.K. SIGN: AS DATE: 29.7.82

DIMENSIONS TO BE CONTROLLED WITHIN LIMITS AS SHOWN. MACHINING TOLERANCE ±.25 mm UNLESS OTHERWISE SHOWN. MACHINING TOLERANCE ±

CARD CODE: 1-12308-01000 SHEET NO. 1 NO. OF SHEETS: 1

REV.	DATE	ALTERED BY	CHKD BY	REV.	DATE	ALTERED BY	CHKD BY	REV.	DATE	ALTERED BY	CHKD BY
03	17.8.82	CHECKED		02	10-9-82	CHECKED		01	19-9-81	CHECKED	

IMAGE ON THIS SIDE