

DRG. NO. 1439501001

TOOL LIST CONTD.

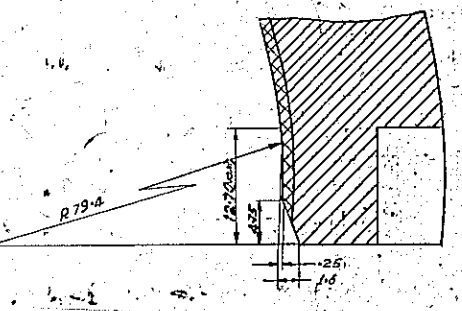
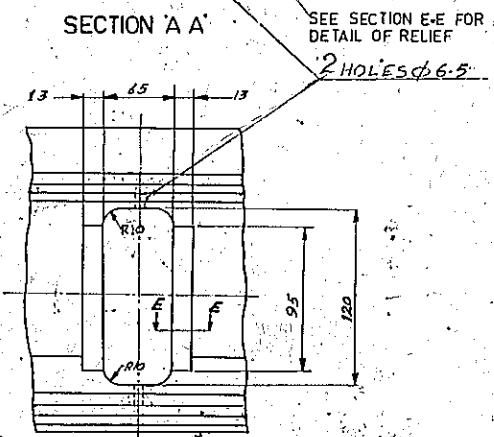
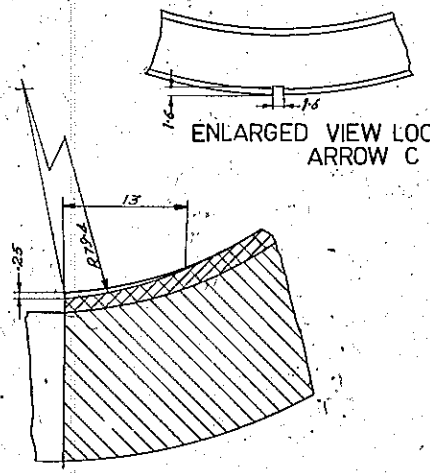
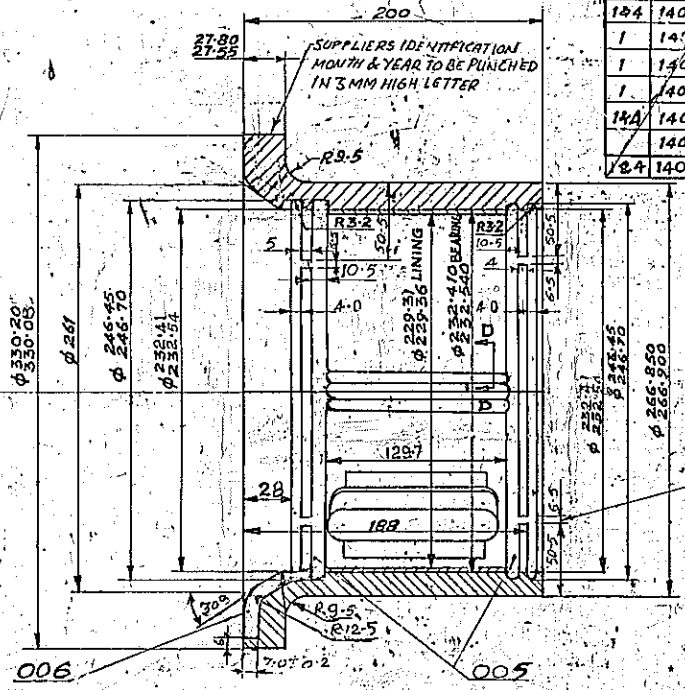
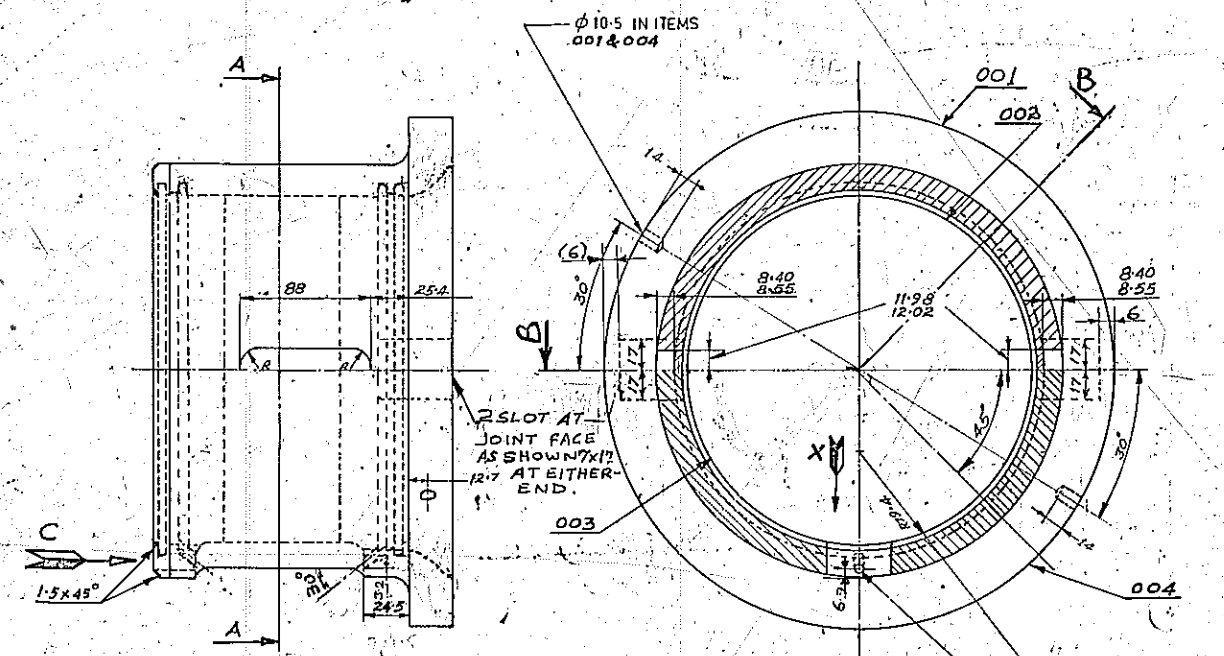
1402233	FIXTURE FOR CHECKING AXLE BEARING
---------	-----------------------------------

TOOL LIST

ITEM	TOOL	DESCRIPTION
144	1451024	TURNING FIXTURE
144	1451027	DRILL PLATE
144	1451030	6.35 DEPTH AND POSITIONING GAUGE
144	1451031	DISTANCE GAUGE
144	1451032	MILLING FIXTURE
144	1451054	POT CHUCK
144	1456448	23-Ø GAUGE (FLANGE TO WINDOW)
144	1456449	114.3 GAUGE FOR WINDOW MILLING
144	1456683	DRILLING FOR AXLE BLOCK
14	1406655	PARKING STUDS
14	1406656	STUD FOR CLAMPING
14	1406657	SPECIAL CLAMP
14	1406658	BORING BAR
14	1406659	TOOL HOLDER FOR BORING BAR
144	1402066	TURNING FIXTURE
1	1402067	12.7 RAD. TOOL
1	1402068	9.5 RAD. TOOL
1	1402069	GROOVING TOOL 6.35 WID.
144	1402178	DIE TOOL
144	1402184	CLAMPING FIXTURE
144	1402236	AXLE BEARING FIXTURE

GAUGE LIST

LIMIT	NOM. SIZE	SYMBOL	NO.	ITEM	TY.
266.850/266.800	266.850		1451021	144	SNAP
230.250/230.125	230.125		1451022	144	PIN
266.466/266.314	266.466		1451023	144	SNAP
330.200/330.128	330.200		1451025	144	SNAP
198.10/198.20			1456441	144	LENGTH
270.00/269.75			1456442	144	GAL.
330.00/330.25			1456443	144	GAL.
27.00/27.20			1456444	144	STEP
199.75/200.00			1456445	144	STEP
226.80/227.00			1456446	144	PIN
279.19/279.53			1456447	144	STEP
11.98/12.02			1456448	144	GAL.
232.410/232.540			1404054	144	PIN
229.31/229.36			1404055	144	PIN



- NOTE
1. FINISHED WEIGHT OF ONE COMPLETE BEARING = 29.41 K.G.
 2. ONE UPPER HALF AND ONE LOWER HALF BEARING MAKE ONE SET OF AXLE BEARING. TWO SETS REQUIRED PER MOTOR.
 3. ST. NO. FOR FINISHED BEARING (UPPER HALF) CONSISTING ITS 182-452189.
 4. ST. NO. FOR FINISHED BEARING (LOWER HALF) CONSISTING ITS 384-452189.
 5. REMOVE SHARP CORNERS.
 6. ST. NO. 9024603165 FOR ITS T.T.O.
 7. WHITE METAL LINING TO BE ULTRASONICALLY TESTED TO AA-0850126 FOR 100% BOND.
 8. IT IS TO BE STUCK SUITABLY USING DENTATE RUBBER COMPOUND OR DUNLOP ADHESIVE.

ITEM	ST. NO.	DESCRIPTION	QTY	UNIT	REMARKS
004	151719	ST. NO. 9094751720			
002	005	NYLON RING ASSY	34391400003	QD	
001	004	AXLE BEARING (LOWER HALF)	34391500002	001	
001	003	LINING BABBIT (LOWER HALF)		AA12802	
001	002	LINING BABBIT (UPPER HALF)		AA12802	
001	001	AXLE BEARING (UPPER HALF)	34391500002	001	

ADDITIONAL INFORMATION: STATUS OF DRAWING, DISTRIBUTION OF PRINT, TYPE OF PRODUCT, NAME OF CUSTOMER/PROJECT: TM-4906-AZ-GE-752, WDM-2 LDCO.

DRG. NO. 1439501001

DATE: 11/2/92

SCALE: 29.41

WEIGHT (KG): 29.41

REP. TO ASSY. DRG. NO. 1439501001

SHEET NO. 07

THE INFORMATION ON THIS DOCUMENT IS THE PROPERTY OF BHARAT HEAVY ELECTRICALS LIMITED. IT MUST NOT BE USED DIRECTLY OR INDIRECTLY IN ANY WAY DETRIMENTAL TO THE INTEREST OF THE COMPANY.

INVENTORY NO. 1439501001, SIGL. & DATE, REF. DRG. NO.

REV.	DATE	ALTD. BY	REASON	REV.	DATE	ALTD. BY	REASON
06	8/19/91	03	1-6-93
05	11-2-92	02	24-2-93