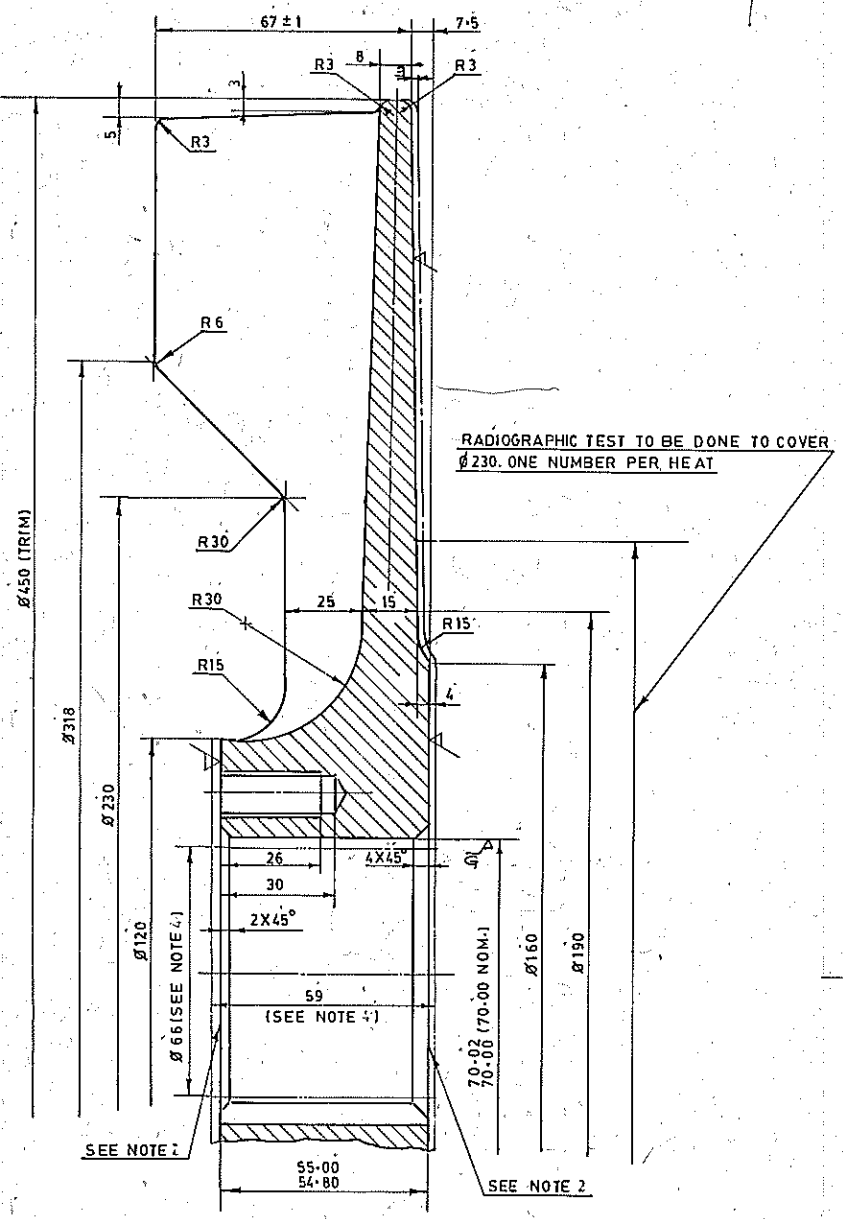


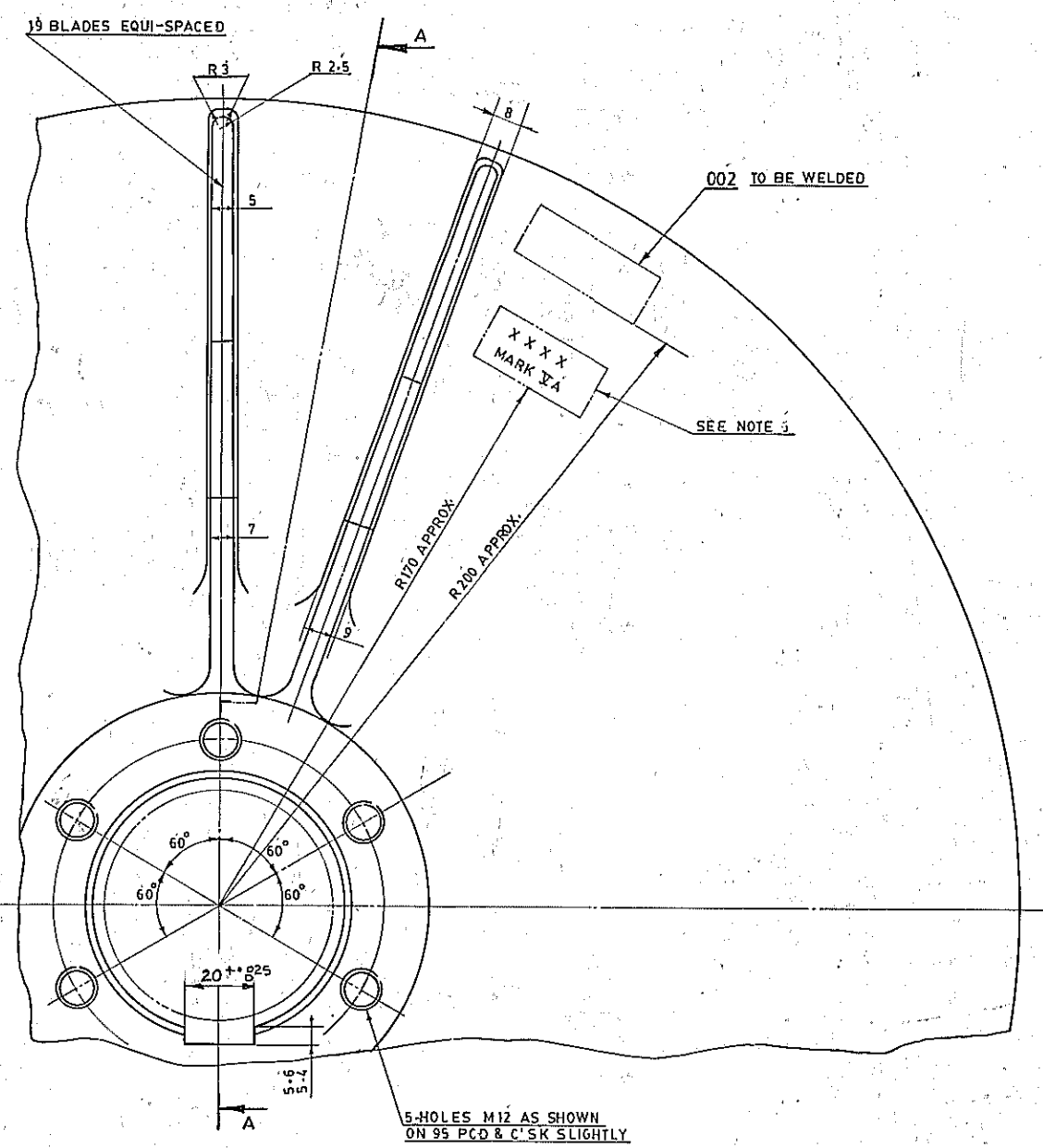
FIRST ANGLE PROJECTION (ALL DIMENSIONS ARE IN mm.)

GAUGE LIST					
ITEM	LIMIT	NOM-SIZE	SYM.	TOOL NO.	TYPE
001	55.00/54.80	-	-	1458164	SNAP
001	70.02/70.00	-	-	1458208	PIN

TOOL LIST		
ITEM	TOOL NO	DESCRIPTION
001	1458163	DRILL JIG FOR 5 HOLES
001	1406969	KEY WAY CUTTER
002	1406974	DYNAMIC BALANCING MV DR



SECTION-AA

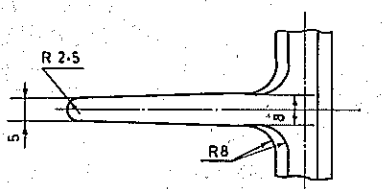


5-HOLES M12 AS SHOWN ON 95 PCD & C'SK SLIGHTLY

NOTES:-

- FAN TO BE GIVEN AN ACCURATE STATIC BALANCE BY THE ADDITION OF BALANCE WEIGHTS ITEM 002 OF SUITABLE SIZE.
- FACES TO BE PARALLEL TO EACH OTHER & SQUARE WITH THE BORE WITHIN TIR005.
- ALTERNATIVE MATERIAL FOR ITEM 001 M-I TO AA 19731, MARK VA B.
- PROOF MACHINE TO CHAIN DOTTED LINES AS SHOWN.
- CASTING TOLERANCES TO IS 4897 CL-1.
- MANUFACTURER'S SHORT NAME TO BE EMBOSSED HERE. ALSO EMBOSS MARK VA OR VB FOR CAST STEEL OR M-I (ALT. MATERIAL SEE NOTE 3) RESPECTIVELY.
- SHELL PATTERN NO. 1150013.
- ST. NO. 454274.
- WEIGHT OF CASTING 37 KGS.

STYLE NO.		
SL. NO.	DESCRIPTION	ST. NO.
1	FAN M/CED	BP 9094762145



AS REQD.	SEE NOTE 1	002	BALANCE WEIGHT										
001	PATT-1245244 SEE NOTES 3,7	001	FAN C-STL-CASTING MARK VA										
VAR 00	REMARKS	VAR. NO.	ITEM NO.	DESCRIPTION		DRAWING NO.							

ADDITIONAL INFORMATION F 46 26076	TYPE OF PRODUCT OR NAME OF CUSTOMER/PROJECT TM 4601 AZ/BZ & BY/BX A-C EMU
DISTRIBUTION OF PRINTS D/C 1 D/X 1	DIST. BY D/C 1 D/X 1
BHARAT HEAVY ELECTRICALS LIMITED BHOPAL	BHARAT HEAVY ELECTRICALS LIMITED BHOPAL
DATE 21-12-99	DATE 21-12-99
SCALE 1:1	SCALE 1:1
WEIGHT (KG) 25.00	WEIGHT (KG) 25.00
REV. NO. 017	REV. NO. 017
DRAWING NO. 1.439.40.37.002	DRAWING NO. 1.439.40.37.002
SHEET NO. 01	SHEET NO. 01

REV	DATE	ALT. BY	ALT. TO	REV	DATE	ALT. BY	ALT. TO	REV	DATE	ALT. BY	ALT. TO	REV	DATE	ALT. BY	ALT. TO	REV	DATE	ALT. BY	ALT. TO
08	5-10-98	GND	CM	07	28-1-02	CKD	SK	06	22-1-99	CKD	SK	05	26-5-99	CKD	SK	04	10-3-97	CKD	SK
TOOL LIST TOOL NO. 1458207 WAS NOT ON. TOOL LIST TOOL NO. 1406969 WAS NOT ON. DIM. 20 +0.25 WAS 19.975 NOTE-9 WAS NOT ON. DIM. 20 +0.25 WAS 19.975 BOM UPDATED. CHAIN DOTTED LINE ON BACK PLATE WAS NOT ON. REVISED PER LETTER TM 4601 BY WAS NOT ON.																			

THE INFORMATION ON THIS DOCUMENT IS THE PROPERTY OF BHARAT HEAVY ELECTRICALS LIMITED. IT MUST NOT BE USED DIRECTLY OR INDIRECTLY IN ANY WAY DETRIMENTAL TO THE INTEREST OF THE COMPANY.

INVENTORY NO., SIGN. & DATE, REF. DRG. NO.,