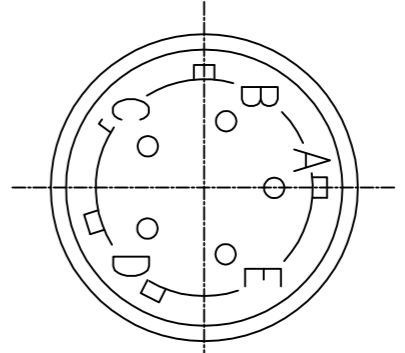
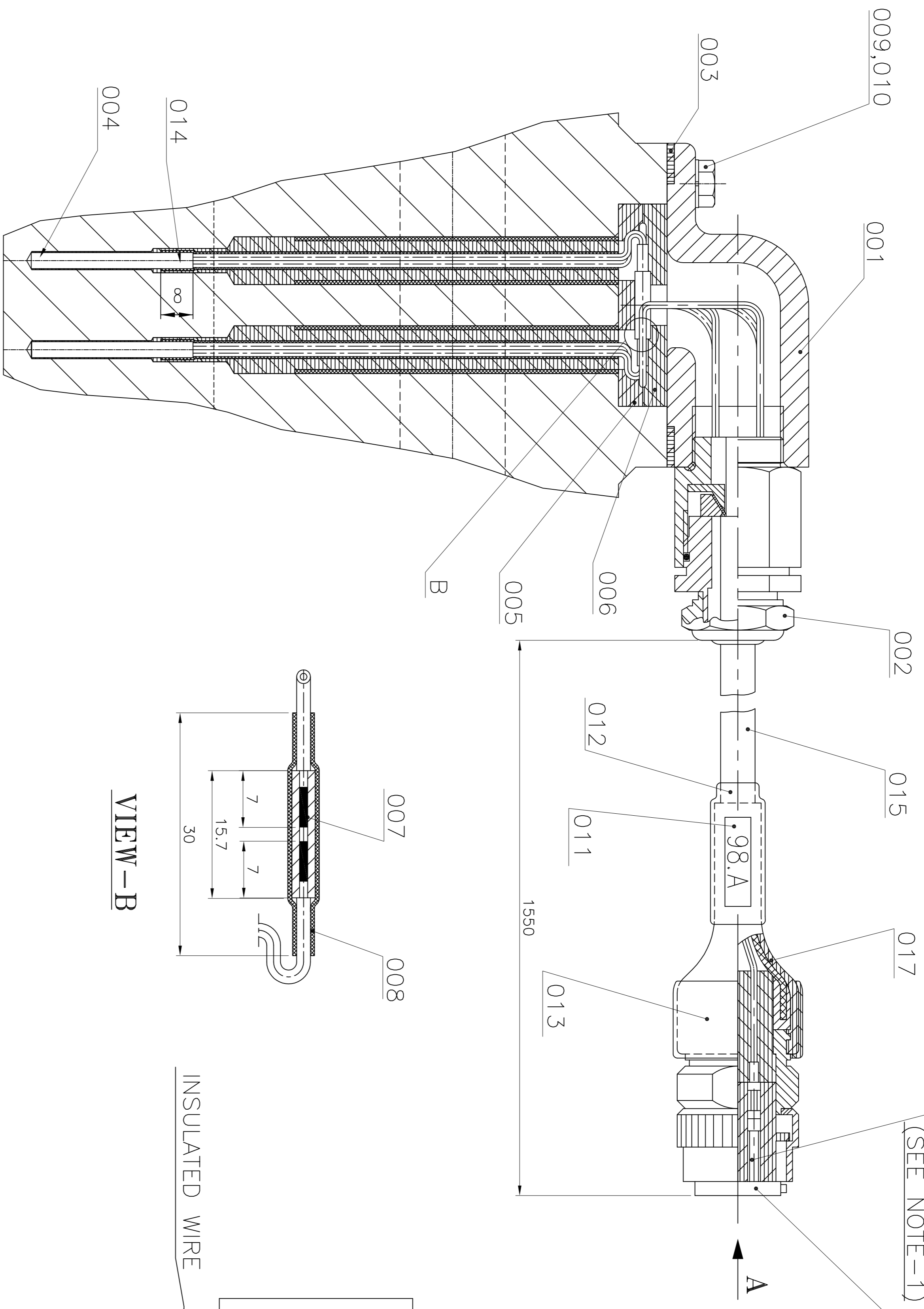


THE INFORMATION ON THIS DOCUMENT IS THE PROPERTY OF BHARAT HEAVY ELECTRICALS LIMITED.
IT MUST NOT BE USED DIRECTLY OR INDIRECTLY IN ANY WAY DETRIMENTAL TO THE INTEREST OF THE COMPANY.



SEE NOTE-3
016
(SEE NOTE-1)

- NOTES:-**
1. INSERT CABLE CORD IN CONTACT PIN.
 2. SHORTON CABLE TO 200 MM.
 3. CONTACTS TO BE PROTECTED WITH PLASTIC COVER.
 4. FOR ITEMS DETAILS REFER SPECN. NO. TM19583.

QTY	VAR	ITEM NO.	DESCRIPTION	UNIT	QTY.	UNIT WT.	UNIT WT.	UNIT WT.	UNIT WT.
001		TM19583	HEAT SHRINK TUBE	KG					
001		TM19583	CONNECTOR (CIRCULAR TYPE)	KG					
001		TM19583	CABLE 2X2X0.5mm ²	KG					
002		TM19583	PROTECTIVE LAYER TUBE 0.5TKX4X230LG.	KG					
001		TM19583	SHRINK SLEEVE 0.5TKX38X50LG.	KG					
001		TM19583	SHRINK SLEEVE 0.5TKX19.0X30LG.	KG					
002		TM19583	DESIGNATION STRIP SK 8	KG					
004		TM19583	WASHER SPRING SCA 6-ST-NR	KG					
004		TM19583	SCRU HEX SCR M6X16-8.8/ZN	KG					
001		TM19583	SHRINK SLEEVE 0.5TKX8X120LG	KG					
006		TM19583	PRESS PLUG 0.5TKX42.5IDX16LG	KG					
001		TM19583	UPPER FOAMED GASKET	KG	0.02				
001		TM19583	LOWER FOAMED GASKET	KG	0.02				
002		TM19583	RESISTANCE ELEMENT	KG	0.02				
001		TM19583	GASKET	KG	0.02				
001		TM19583	CABLE FITTING (GLAND) SIZE FG16	KG	0.36				
001		TM19583	THERMO COUPLE HOUSING M/CD	KG	0.36				

ADDITIONAL INFORMATION
 SIM. DRG. NO. 14450164051
 STATUS OF DRAWING
 DISTRIBUTION OF PRINTS
 TME-1, TXM-3, TNX-1,
 NAME OF PRODUCT OR STATUS OF CUSTOMER/PROJECT
IM3302AZ

REV.	DATE	APPROVED	ZONE
01	28.06.19		
02	28.06.19		
03	28.06.19		
04	28.06.19		
05	28.06.19		
06	28.06.19		
07	28.06.19		
08	28.06.19		
09	28.06.19		
10	28.06.19		
11	28.06.19		
12	28.06.19		

TEMPERATURE SENSOR ASSY.
 DRAWING NO. 1445 01 09 051
 SHE. NO. 01 NO. OF SHE. 00