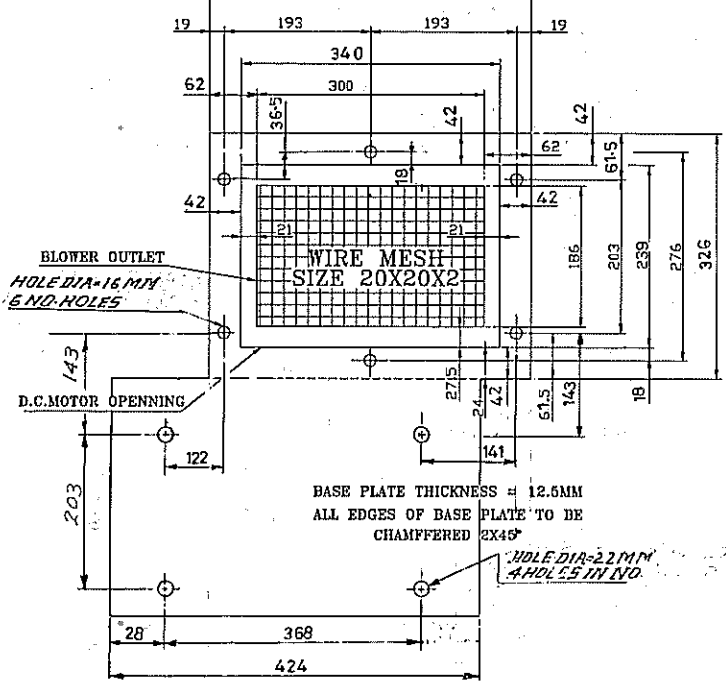
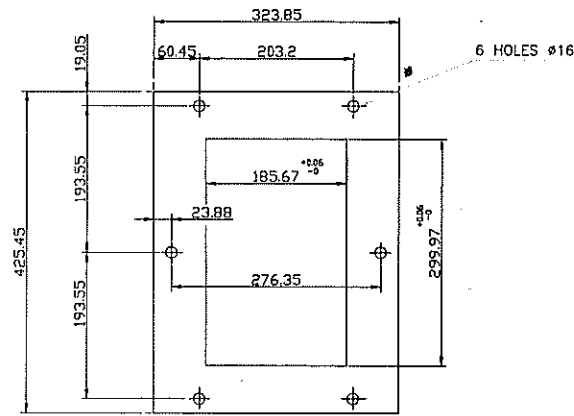
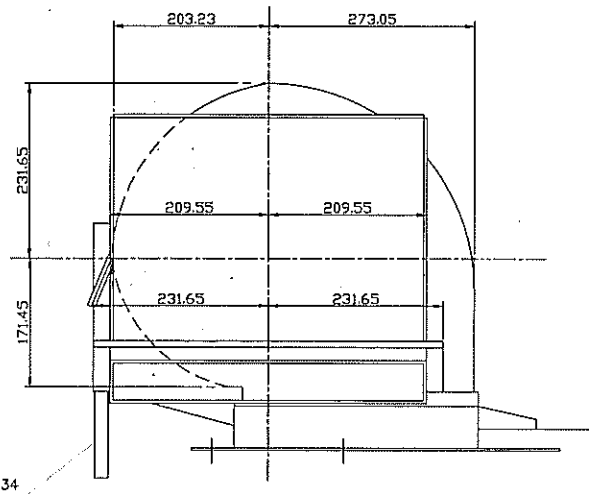


DRW. NO. 146 02 99 004

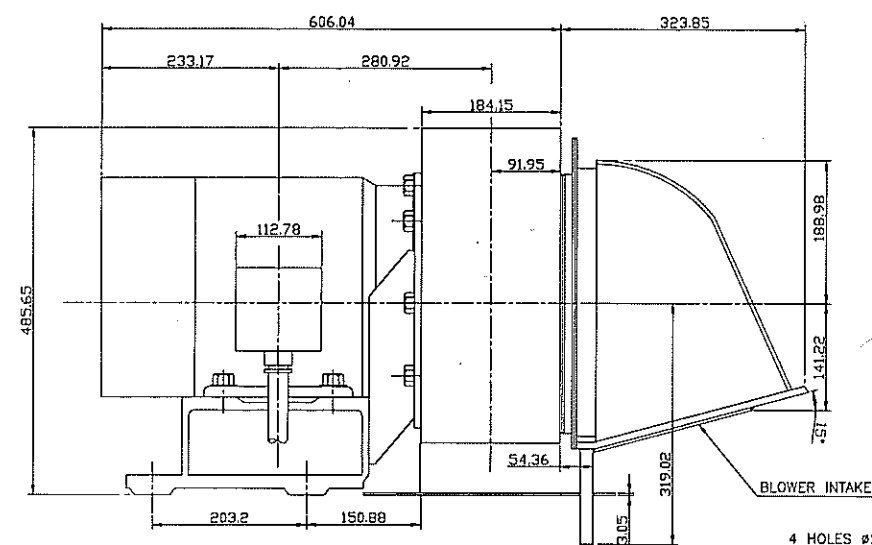
TOP VIEW OF BLOWER FOUNDATION AND AIR CUT OUT
IN GE DC MOTOR.



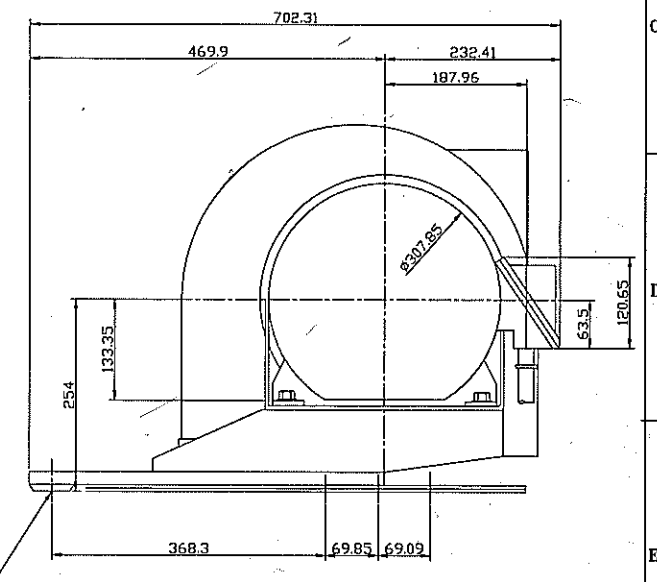
BLOWER FOUNDATION OUT LINE/TOP VIEW
IN GE MAKE DC MOTOR



VIEW AT - A



001 ELEVATION



NOTES:-

1. THE PRODUCT TO CONFIRM TO SPEC TME/28 EXCEPT FOR DETAILS AT NOTE 5 BELOW.
2. ALL HARDWARES TO BE OF HIGH TENSILE (PROPERTY CLASS 8.8) AND ZINC PLATED.
3. AIR FLOW RELAY TO BE PROVIDED.
4. ORIENTATION CCW DOWN BLAST.
5. TECHNICAL SPECIFICATION:-
 - 5a. CENTRIFUGAL BLOWER
 - 5a i DRIVE :DIRECT
 - 5a ii VOLUME :2800 CFM
 - 5a iii PRESSURE :8.3 INCHES OF WATER COLUMN
 - 5a iv SPEED :3000 RPM(SYN)
 - 5a v ORIENTATION :CCW DOWN BLAST
 - 5b MOTOR :TEFC FLAME PROOF DGMS APPROVED FOR DIVISION I HAZARDOUS AREA (GROUP II A GASES) INSULATION CLASS 'F' 10 HP, 415VAC, 2P 50HZ MOTOR WITH CANOPY AND GLAND.

REV.	DATE	ALTERED	CHECKED	DATE	ALTERED	CHECKED	DATE	ALTERED	CHECKED	DATE
01	9/2/02			02	26/10/05					

001	SEE NOTE 1	001	BLOWER MOTOR WITH MOUNTING BRACKET	TME/028								
VAR.00	REMARKS	VAR. NO.	ITEM NO.	DESCRIPTION	STP.	DRAWING NO.	LIT. NO.	MATL. CODE	MATL. SPCN.	UNIT WT.	QTY.	ZONE
ADDITIONAL INFORMATION STATUS OF DRAWING DISTRIBUTION OF PRINTS TME - 1, TXM - 3 TNX - 1												
TYPE OF PRODUCT OR NAME OF CUSTOMER/PROJECT BLOWER ASSEMBLY COMPLETE FOR GE DC MOTOR 752 BHARAT HEAVY ELECTRICALS LTD. BHOPAL.												
TITLE GENERAL ARRGT. OF BLOWER MOTOR WITH MOUNTING BRACKET FOR GE DC MOTOR TYPE 752												
DRAWING NO. 1 446 02 99 004 SHT. NO. 01 NO. OF SHT. 01												

THE INFORMATION ON THIS DOCUMENT IS THE PROPERTY OF BHARAT HEAVY ELECTRICALS LIMITED. IT MUST NOT BE USED DIRECTLY OR INDIRECTLY IN ANY WAY DETRIMENTAL TO THE INTEREST OF THE COMPANY.

REF. DES. NO.

SIGN. & DATE