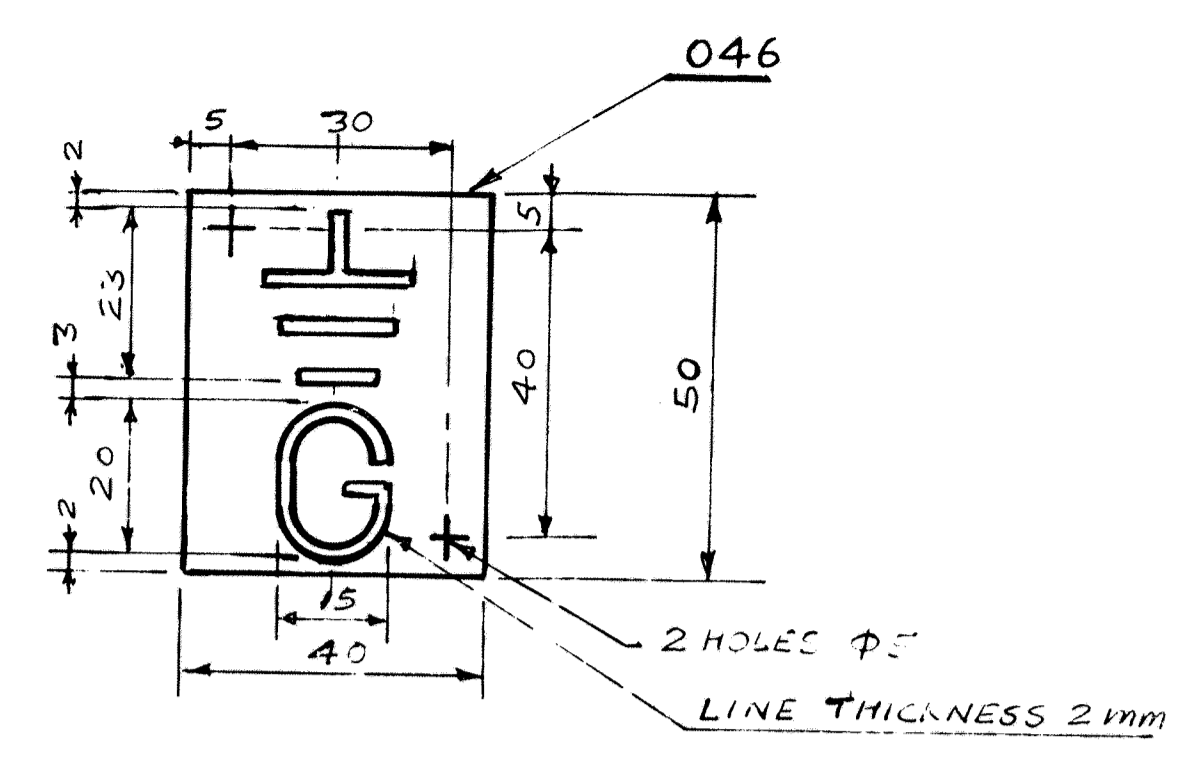
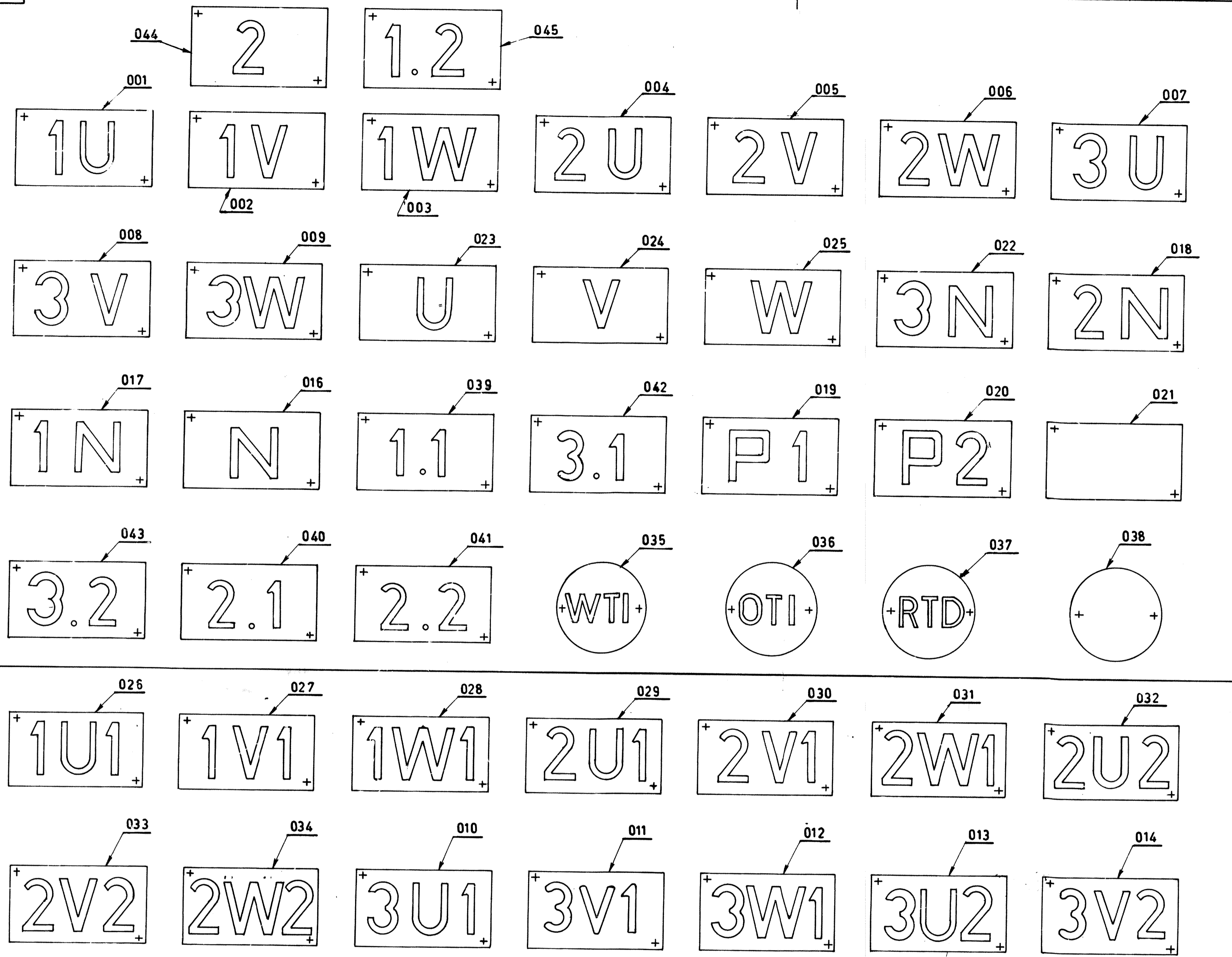
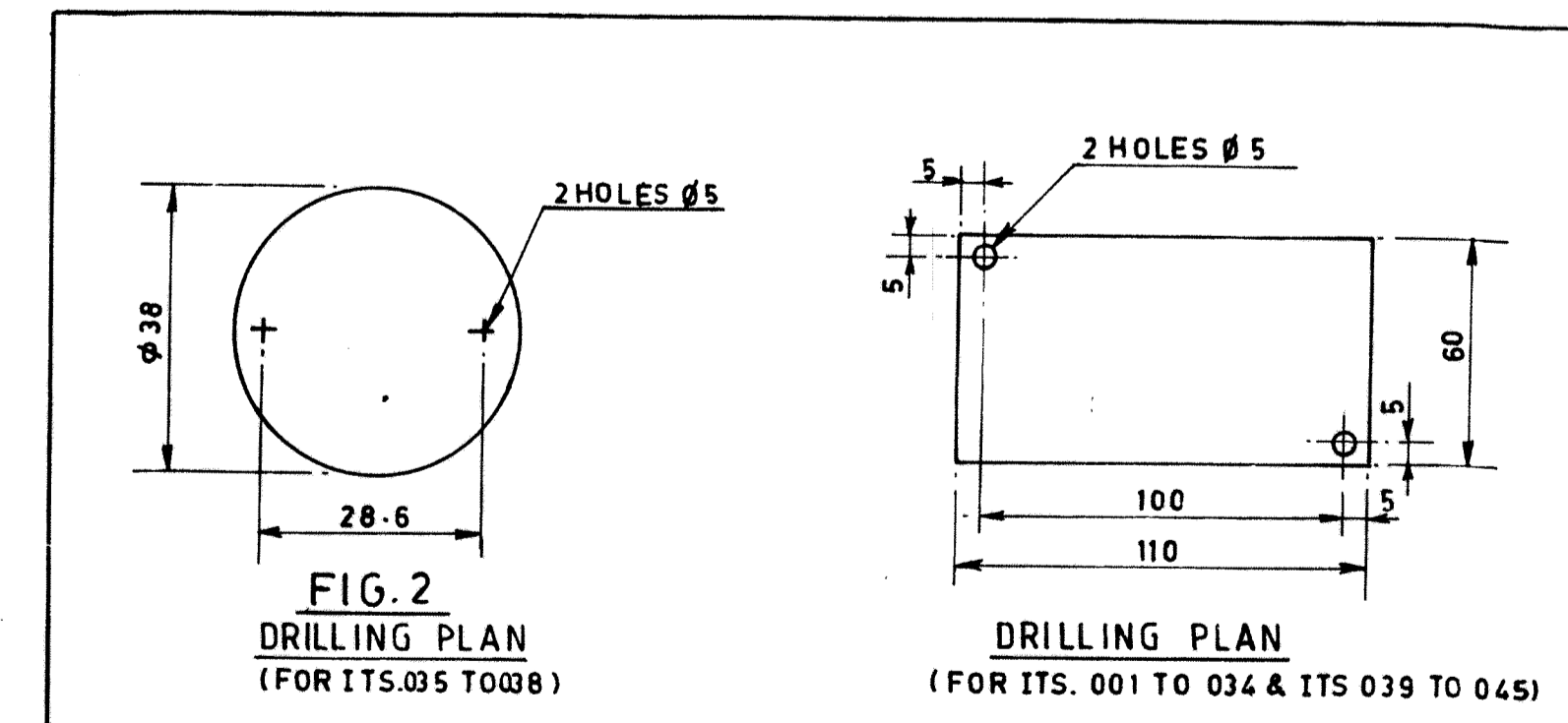
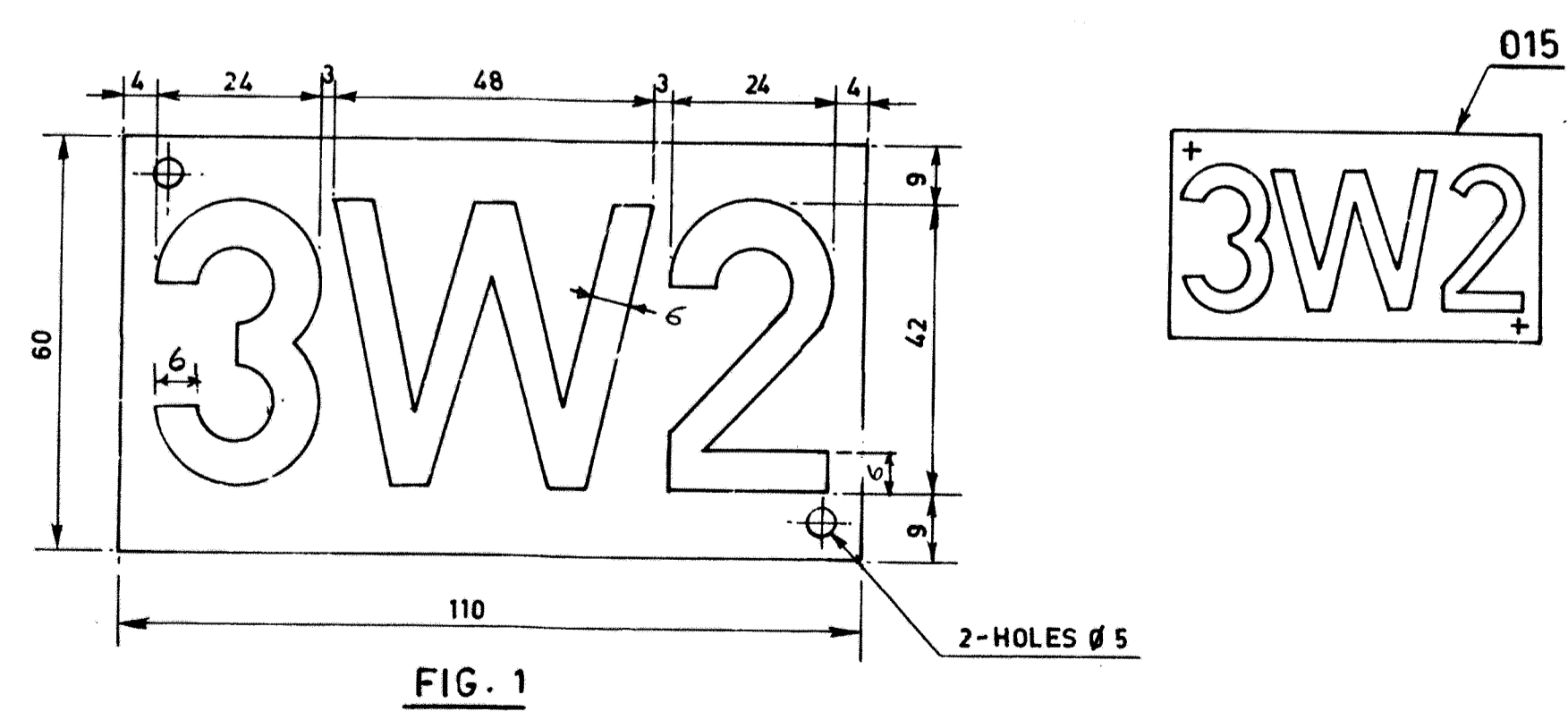


71000 61 667 1 ON 'DRG'



- NOTES TO SUPPLIER
- LETTERS AND NUMERALS.
    - FOR ITEMS 001 TO 034 AND 039 TO 045 LETTERS AND NUMERALS THE THICKNESS OF LETTER AND NUMERALS LINES IS TO BE 6mm AND HEIGHT 42mm. AND FOR ITEMS 035 TO 037 LETTERS AND NUMERALS LINES IS TO BE 2mm THK AND HEIGHT 15mm.
    - FOR LABEL 3W2, ALL DIMENSIONS ARE GIVEN IN FIG 1 FOR OTHER LABELS SPACE FOR LETTERS ONLY TO BE ADJUSTED SUITABLY IN ACCORDANCE WITH THE ITEMS SHOWN HERE.
    - MATERIAL: 1-6TK STAINLESS STEEL SHT. TO IS: 6011, TABLE 2 CALL GRADES 2 FINISH. MENTIONED IN TABLE 2 ARE TECHNICALLY ACCEPTABLE.
    - THE LABELS SHOULD BE FREE FROM BURRS AND SIDES IS TO BE RIGHT ANGLE TO EACH OTHER.
    - DISCS ARE TO BE MANUFACTURED BY ETCHING PROCESS BACK GROUND TO BE BRIGHT & SMOOTH.
    - THE PLATE SHOULD WITHSTAND OUT DOOR DURABILITY TEST AS PER CL 7-1-1 TO 7-1-4 OF AA 040 12 01.
  - CUTTING AND DRILLING TO BE DONE BEFORE ETCHING PROCESS. ETCHING DEPTH APPROX 200 MICRONS. LETTERS TO BE FILLED WITH BLACK STOVING ENAMEL.
  - PACKING. DISCS ARE TO BE SUITABLY PACKED IN POLYTHENE COVER TO AVOID DAMAGE DURING TRANSIT/STORING.
  - FOR DE-LINK BOM REF DRG BOM 149919 00014 (COMP.SHT)

- NOTES TO D/MAN :-
- FOR MOUNTING PAD REFER DRG. 4 499 15 00006 IT.1 FOR RECT. DISC AND IT. 2 FOR ROUND DISC
  - CALL ITS. 021 & 038 ALONG WITH ENGRAVING PARTICULARS.
  - MTG PAD FOR IT.046 (LABEL FOR GROUNDING) REF. DRG. 449916 00011.



THE INFORMATION ON THIS DOCUMENT IS THE PROPERTY OF BHARAT HEAVY ELECTRICALS LIMITED. IT MUST NOT BE USED DIRECTLY OR INDIRECTLY IN ANY WAY DETRIMENTAL TO THE INTEREST OF THE COMPANY

PREFERRED

NON PREFERRED

INVENTORY NO. 149919 00012  
SIGN. & DATE  
REF. DRG. NO.

REV.	DATE	ALTERED BY	REASON	REV.	DATE	ALTERED BY	REASON	REV.	DATE	ALTERED BY	REASON	REV.	DATE	ALTERED BY	REASON
05	24/03/05	SKJ	CHECKED	04	1.09.2003	SKJ	APPROVED	03	21-1-04	SKJ	CHECKED	02	16/9/95	SKJ	APPROVED
ZONE 1: NOTE 1 (iii) FOR MATERIAL MODIFIED				ZONE 2: DIGIT CODE NO. ADDED & BOM. UPDATED.				ZONE 3: IN NOTE TO SUPPLIER NOTE 1 (iii) MATERIAL TK-1-6 ADDED				ZONE 4: ITEM 046 AND NOTE 3 TO DIMAN ADDED. STYLE ADDED AGAINST ITS. DRG/TS 009, 016 TO 022 TO 025, 035 TO 037 AND 039 TO 046.			

ADDITIONAL INFORMATION		TRANSFORMER	
STD	STATUS OF DRAWING	TYPE OF PRODUCT OR NAME OF CUSTOMER/PROJECT	
DISTRIBUTION OF PRINTS	TRM-1 TRX-1	BHARAT HEAVY ELECTRICALS LTD. BHOPAL	
TRM-3 BHEL JHANSI-2		SHEET NO. 005	
REV. DATE	APPROVED	DATE	BY
01/09/04	SKJ	20/09/04	SKJ
DEPT. HEAD		SCALE	
406		1:1 & 1:2	
TITLE		D/WG. NO.	
POLARITY DISCS		149919 00014	
(STAINLESS STEEL)		05	

FOR SHOP USE  
TRM DRG. STORE  
WITH BOM  
Sign. Date