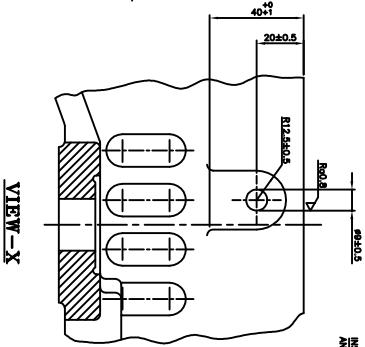
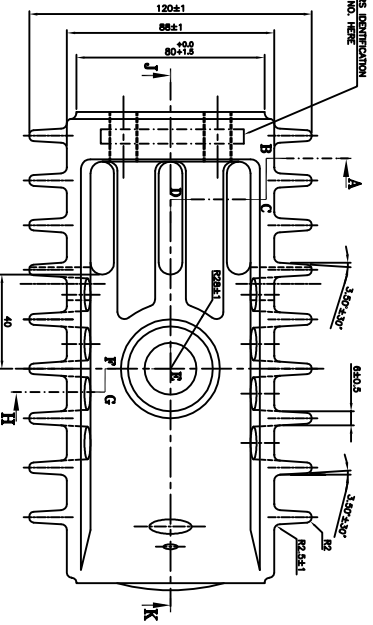


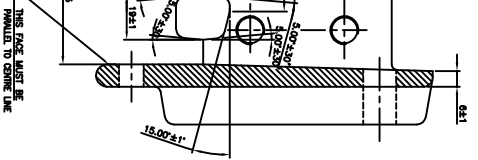
VIEW 'Y'



VIEW-X



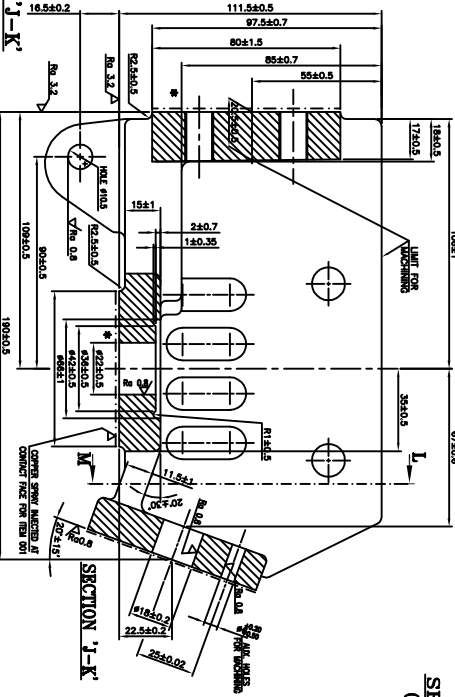
SECTION 'A-H' (AT 90° TURNED)



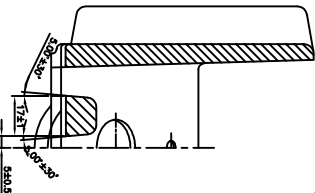
THIS FACE MUST BE FINISHED TO CENTER LINE

ITEM 005

SECTION 'J-K'



SECTION 'L-M'



REV	DATE	DESCRIPTION	BY	CHKD
1	01.12.88	ISSUED FOR MANUFACTURE		
2	02.04.89	REVISION FOR FINISHING CHANGED		
3	02.04.89	ADDED FOR T. COA		
4	02.04.89	ADDED FOR FINISH		
5	02.04.89	ADDED FOR FINISH		
6	02.04.89	ADDED FOR FINISH		

REV	DATE	DESCRIPTION	BY	CHKD
1	02.04.89	ADDED FOR FINISH		
2	02.04.89	ADDED FOR FINISH		
3	02.04.89	ADDED FOR FINISH		
4	02.04.89	ADDED FOR FINISH		
5	02.04.89	ADDED FOR FINISH		
6	02.04.89	ADDED FOR FINISH		

REV	DATE	DESCRIPTION	BY	CHKD
1	02.04.89	ADDED FOR FINISH		
2	02.04.89	ADDED FOR FINISH		
3	02.04.89	ADDED FOR FINISH		
4	02.04.89	ADDED FOR FINISH		
5	02.04.89	ADDED FOR FINISH		
6	02.04.89	ADDED FOR FINISH		

REV	DATE	DESCRIPTION	BY	CHKD
1	02.04.89	ADDED FOR FINISH		
2	02.04.89	ADDED FOR FINISH		
3	02.04.89	ADDED FOR FINISH		
4	02.04.89	ADDED FOR FINISH		
5	02.04.89	ADDED FOR FINISH		
6	02.04.89	ADDED FOR FINISH		

REV	DATE	DESCRIPTION	BY	CHKD
1	02.04.89	ADDED FOR FINISH		
2	02.04.89	ADDED FOR FINISH		
3	02.04.89	ADDED FOR FINISH		
4	02.04.89	ADDED FOR FINISH		
5	02.04.89	ADDED FOR FINISH		
6	02.04.89	ADDED FOR FINISH		

REV	DATE	DESCRIPTION	BY	CHKD
1	02.04.89	ADDED FOR FINISH		
2	02.04.89	ADDED FOR FINISH		
3	02.04.89	ADDED FOR FINISH		
4	02.04.89	ADDED FOR FINISH		
5	02.04.89	ADDED FOR FINISH		
6	02.04.89	ADDED FOR FINISH		

REV	DATE	DESCRIPTION	BY	CHKD
1	02.04.89	ADDED FOR FINISH		
2	02.04.89	ADDED FOR FINISH		
3	02.04.89	ADDED FOR FINISH		
4	02.04.89	ADDED FOR FINISH		
5	02.04.89	ADDED FOR FINISH		
6	02.04.89	ADDED FOR FINISH		

REV	DATE	DESCRIPTION	BY	CHKD
1	02.04.89	ADDED FOR FINISH		
2	02.04.89	ADDED FOR FINISH		
3	02.04.89	ADDED FOR FINISH		
4	02.04.89	ADDED FOR FINISH		
5	02.04.89	ADDED FOR FINISH		
6	02.04.89	ADDED FOR FINISH		

DISTRIBUTION OF PRINTS		STATUS OF DRAWING	
NO. OF SETS	NO. OF SETS	DATE	REASON
1	1		
2	2		
3	3		
4	4		
5	5		
6	6		
7	7		
8	8		
9	9		
10	10		
11	11		
12	12		

NO.	DATE	DESCRIPTION	BY	CHKD
1	02.04.89	ADDED FOR FINISH		
2	02.04.89	ADDED FOR FINISH		
3	02.04.89	ADDED FOR FINISH		
4	02.04.89	ADDED FOR FINISH		
5	02.04.89	ADDED FOR FINISH		
6	02.04.89	ADDED FOR FINISH		

NO.	DATE	DESCRIPTION	BY	CHKD
1	02.04.89	ADDED FOR FINISH		
2	02.04.89	ADDED FOR FINISH		
3	02.04.89	ADDED FOR FINISH		
4	02.04.89	ADDED FOR FINISH		
5	02.04.89	ADDED FOR FINISH		
6	02.04.89	ADDED FOR FINISH		

NO.	DATE	DESCRIPTION	BY	CHKD
1	02.04.89	ADDED FOR FINISH		
2	02.04.89	ADDED FOR FINISH		
3	02.04.89	ADDED FOR FINISH		
4	02.04.89	ADDED FOR FINISH		
5	02.04.89	ADDED FOR FINISH		
6	02.04.89	ADDED FOR FINISH		

NO.	DATE	DESCRIPTION	BY	CHKD
1	02.04.89	ADDED FOR FINISH		
2	02.04.89	ADDED FOR FINISH		
3	02.04.89	ADDED FOR FINISH		
4	02.04.89	ADDED FOR FINISH		
5	02.04.89	ADDED FOR FINISH		
6	02.04.89	ADDED FOR FINISH		

NO.	DATE	DESCRIPTION	BY	CHKD
1	02.04.89	ADDED FOR FINISH		
2	02.04.89	ADDED FOR FINISH		
3	02.04.89	ADDED FOR FINISH		
4	02.04.89	ADDED FOR FINISH		
5	02.04.89	ADDED FOR FINISH		
6	02.04.89	ADDED FOR FINISH		

NO.	DATE	DESCRIPTION	BY	CHKD
1	02.04.89	ADDED FOR FINISH		
2	02.04.89	ADDED FOR FINISH		
3	02.04.89	ADDED FOR FINISH		
4	02.04.89	ADDED FOR FINISH		
5	02.04.89	ADDED FOR FINISH		
6	02.04.89	ADDED FOR FINISH		