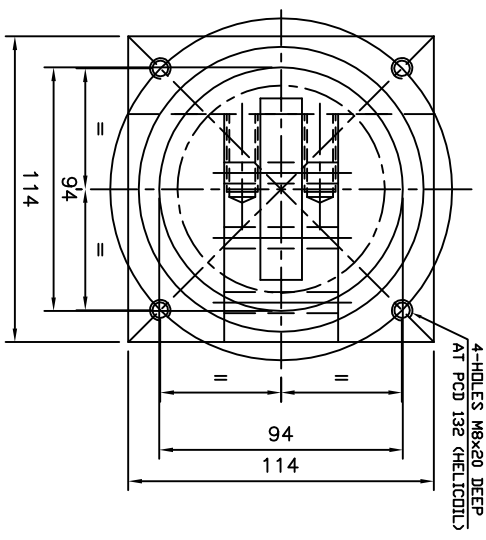
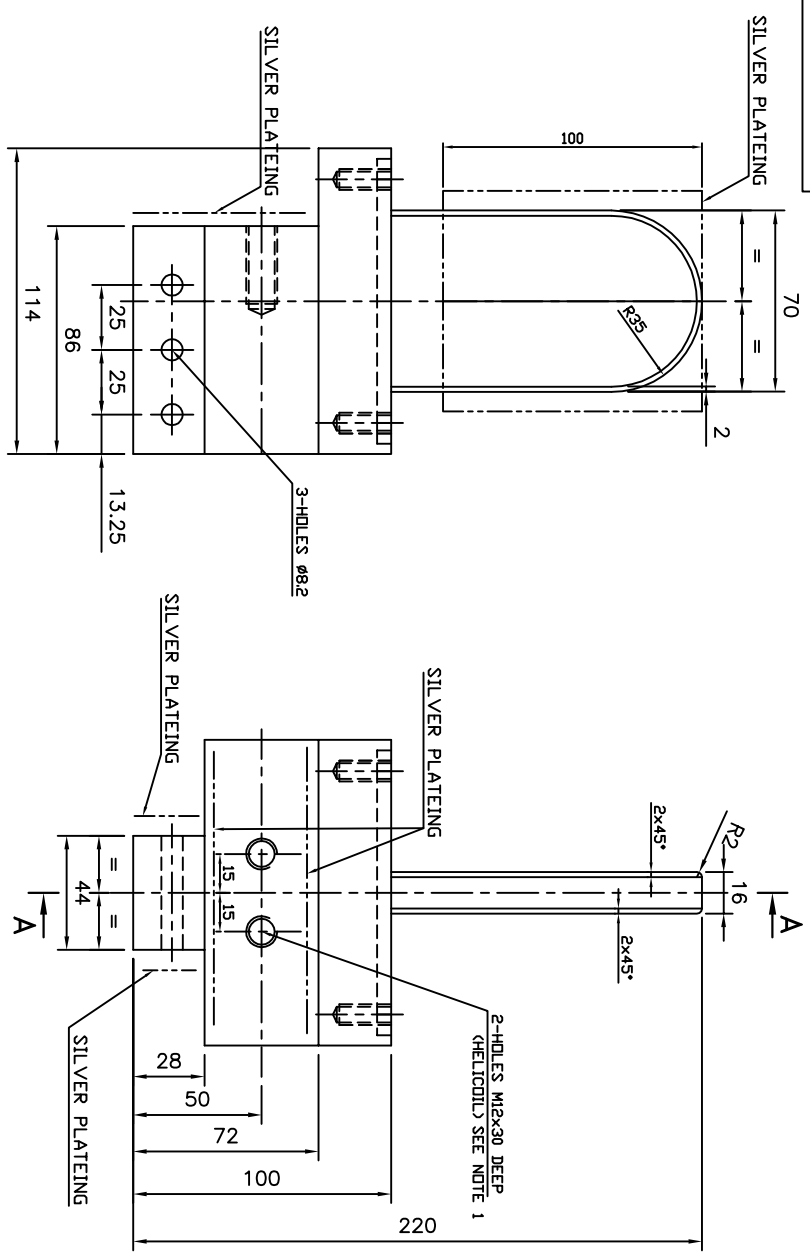


FIRST ANGLE PROJECTION

(ALL DIMENSIONS ARE IN MM)



ITEM NO:001

FINISH:-

SILVER PLATE FOR MARKING AREA (0.013 TK. MIN) COPPER TD AA0673613

NOTE:

1. SUITABLE HELICOIL SHALL BE INSERTED IN THREADS.

REV	DATE	ALTERED	BY	CHKD	APPD
01		DESIGNED			
02		CHECKED			
03		APPROVED			
04		DESIGNED			
05		CHECKED			
06		APPROVED			
07		DESIGNED			
08		CHECKED			
09		APPROVED			
10		DESIGNED			
11		CHECKED			
12		APPROVED			

MATERIAL		REMARKS		REVISION	
001	ETP COPPER LG				
002	ETP COPPER LG				

STATUS OF DRAWING		DISTRIBUTION OF PRINTS	
1	1	1	1

FIXED CONTACT BREAKERSIDE	
15170300002	