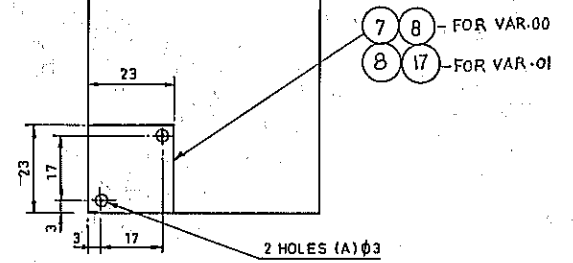
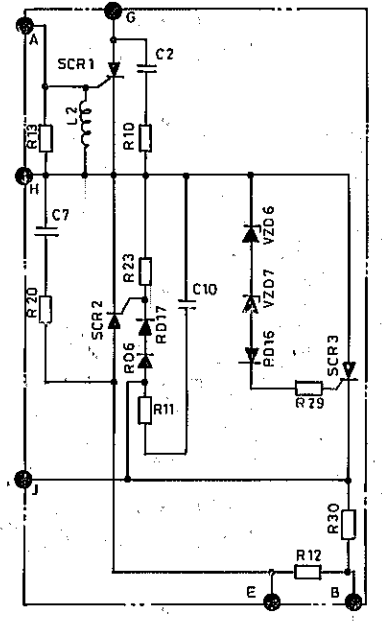
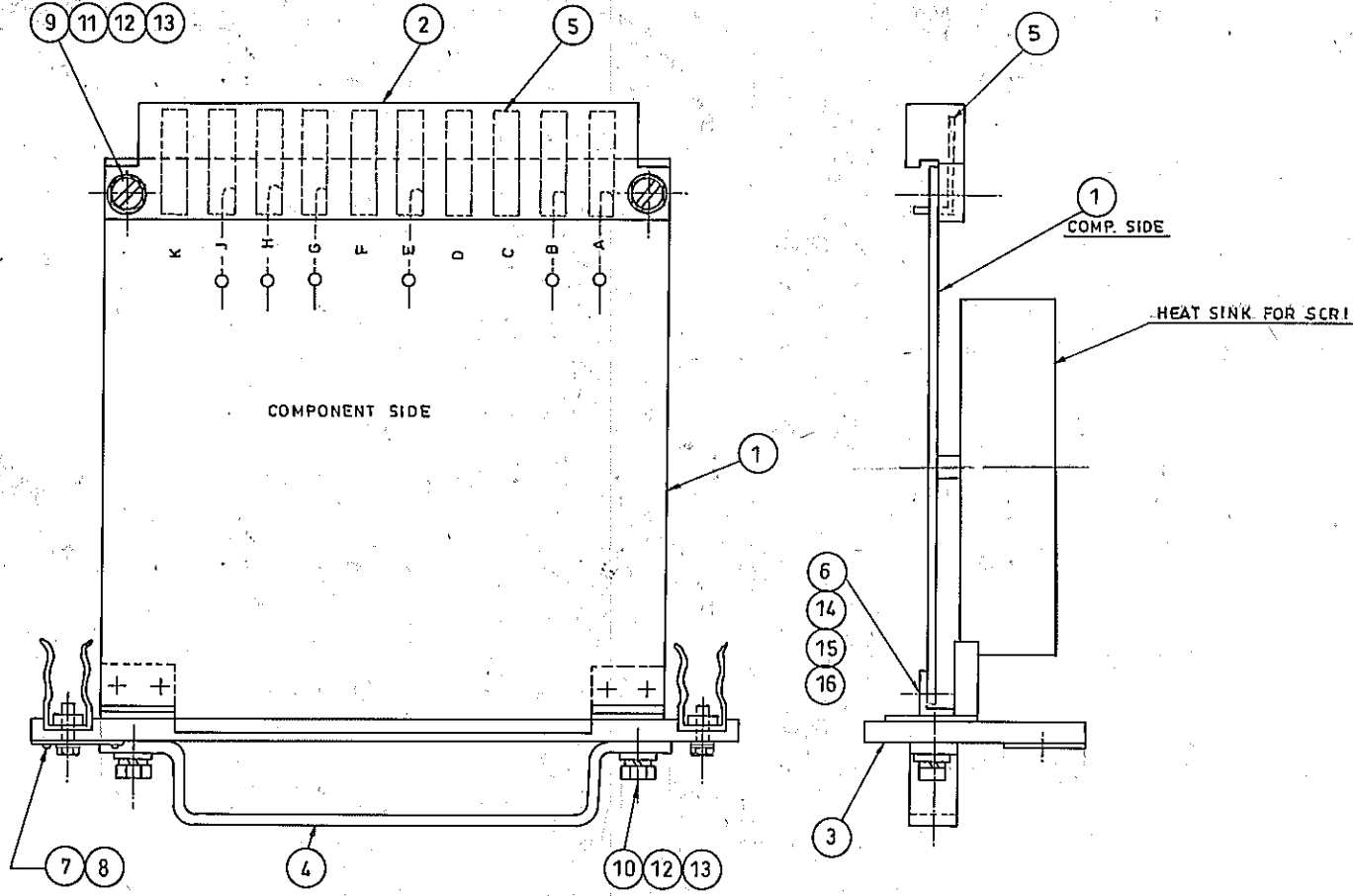


STYLE LIST				
STYLE CODE	VAR. NO.	DESCRIPTION OR REMARKS	RECORDED SIGN. DATE	GES NO.
BP9047572980	00	ASSY OF POWER CARD-PCB VR 96 M.	DPV 4/19/2000	407503032
BP9047573242	01	ASSY. OF POWER CARD PCB VR 100 M.	DPV 30-5-01	407513005

NOTES:-

- INDICATES EXTERNAL CONNECTION POINTS ON CARD.
- CARD TO BE WIRED WITH 19/0.2 PTFE CABLE (BP 9007548200)
- PASTENERS TO BE ZINC PLATED (0.013TK.) & PASSIVATED TO PRS. AA0673603 & AA0673604 RESPLY.
- ITEM NO. 007 TO BE ENGRAVED SUITABLY AS SHOWN.
- WRITE MONTH / YEAR OF MANUFACTURING WITH BLACK PAINT ON COMPONENT SIDE AT SUITABLE PLACE.
- ITEM MARKED THUS * ARE TO BE TAKEN FROM FRAME ASSY. 2 670 22 00028 VAR. 00.
- AFTER ASSY. & TESTING SPRAY CRC ACRYFORM (M/S. DANMET CHEMICALS) OR EQUIVALENT ON BOTH SIDES OF PCB.



ITEM NO.	QTY	DESCRIPTION	DRG. NO.	MATL. CODE	UNIT WT.	NO. OF	ZONE
001	1	LABEL	2 670 23 0 0007	033			
004	1	WASHER SPG. SC A4 - ST.		AA7164001022			
004	1	WASHER MCD 4.3 ST.		AA7161001021			
004	1	SCRU SLT. HEX. AM4 X12-4.8		AA7121105985			
008	1	WASHER SPG. SC. A5 - ST.		AA7164001030			
005	1	WASHER MCD 5.3-ST.		AA7161001030			
002	1	NUT HEX. AM 5-8		AA7151115083			
002	2	SCRU HEX. SLT. AM5 X16-4.8		BP7121105900			
002	2	SCRU HEX SLT AM5 X25-4.8		BP7121105888			
002	1	SCRU SELF TAP 2.9 X 6.5-C		AA7126901038			
001	2	LABEL	2 670 23 0 0007	032			
002	4	BRACKET	4 670 23 000 24	001	BP9087571305		
006	4	* CONTACT	4 670 23 00005	001	BP9087508047		
001	4	* CARD HANDLE	4 670 23 00007	001	BP9087511353		
001	2	* CARD COVER ASSY.	2 670 23 00009	001	BP9087512180		
001	3	* SHROUD	3 670 23 00042	001	BP9067562998		
001	1	PCB ASSY. OF BX CARD	1 670 22 00016	00	BP9047572947		

THE INFORMATION ON THIS DOCUMENT IS THE PROPERTY OF BHARAT HEAVY ELECTRICALS LIMITED. IT MUST NOT BE USED DIRECTLY OR INDIRECTLY IN ANY WAY DETRIMENTAL TO THE INTEREST OF THE COMPANY.

SIGN & DATE
INVENTORY NO.

FIXING DETAILS OF LABEL (ITEM 007)

ADDITIONAL INFORMATION
 BX VR 96 M
STATUS OF DRAWING
 M
DISTRIBUTION OF PRINTS
 D.C. - 1, RFM - 3
 TCX (RFM) - 1

E-TYPE INDIAN RAILWAYS

भारत हेवी इलेक्ट्रिकल्स लिमिटेड
 भोपाल
 BHARAT HEAVY ELECTRICALS LTD.
 BHOPAL

REV. DATE ALTERED CHECKED APPROVED
 01 30-5-01

REV. DATE ALTERED CHECKED APPROVED
 01 30-5-01

REV. DATE ALTERED CHECKED APPROVED
 01 30-5-01

SCALE: NTS
 REF. TO ASSY. DRG.: 2 670 22 0 0029

ASSY. OF BX CARD WITH PCB VR 96-M
 1 670 22 00018