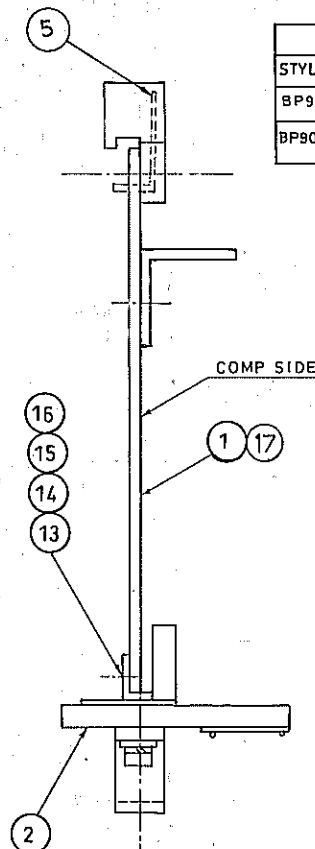
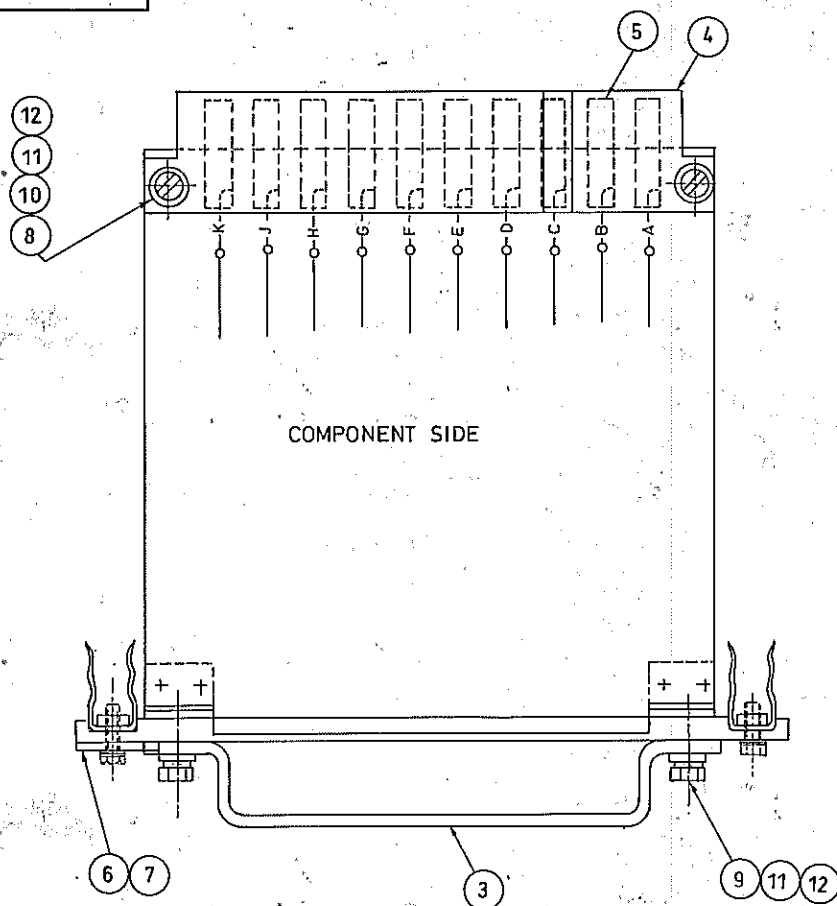


61.00 0 22 0 0 0 1 0 6 9 9 9 9 9

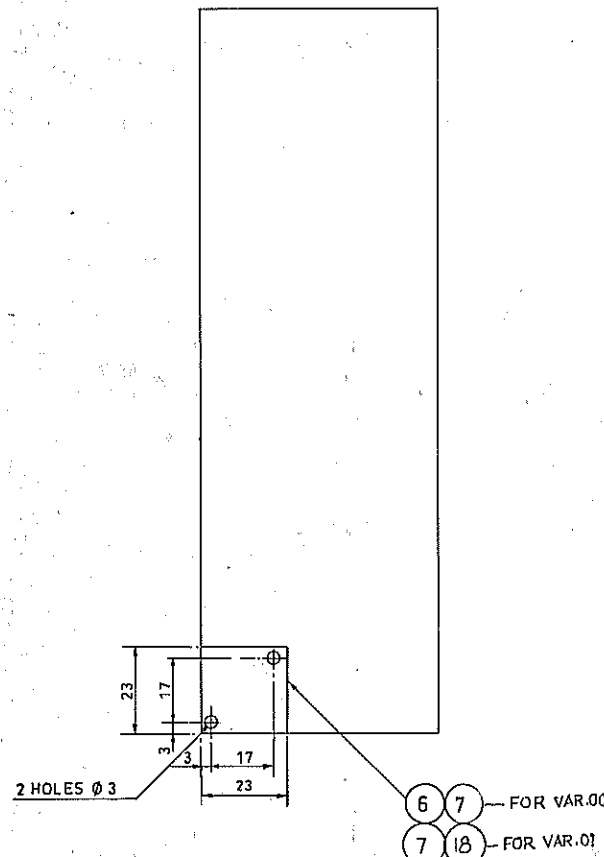
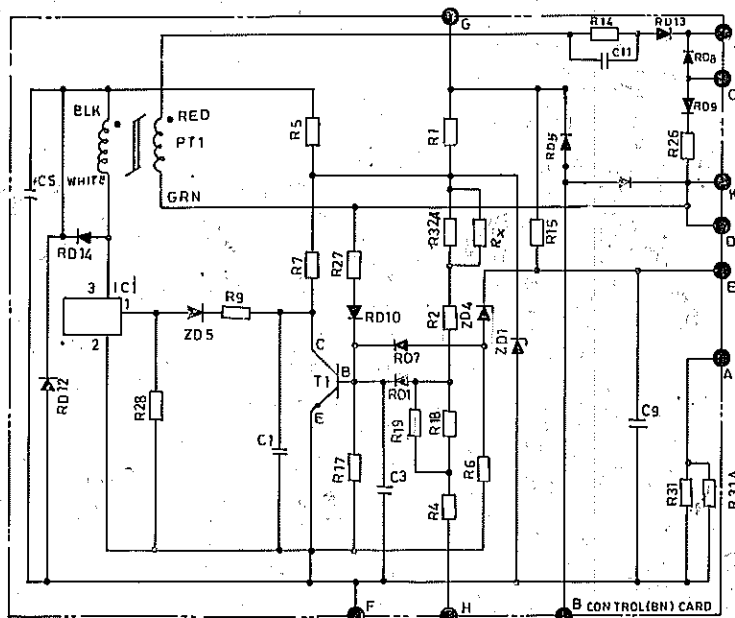


STYLE LIST					
STYLE CODE	VAR. NO.	DESCRIPTION OR REMARKS	RECORDED SIGN.	DATE	GES. NO.
BP9047573005	00	ASSY. OF BN CARD (VR 96 M)	DPV	3-10-2000	407503033
BP9047573331	01	ASSY. OF BN CARD (VR 110 M)	DPV	30-5-01	407513006

NOTE :-

- CARD TO BE WIRED WITH 19/0-2 PTFE 600V. CABLE UNLESS SHOWN OTHERWISE (BP 2851 670 034 ).
- INDICATES EXTERNAL CONNECTION POINT ON CARDS
- FASTENERS TO BE ZINC PLATED (0-013 TK.) AND PASSIVATED TO PR.S. AA 0673603 & AA 0673604 RESPLY.
- ITEM 006 TO BE ENGRAVED SUITABLY AS SHOWN.
- WRITE MONTH / YEAR OF MANUFACTURING WITH BLACK PAINT ON COMP. SIDE AT SUITABLE PLACE.
- ITEM MARKED THUS \* ARE TO BE TAKEN FROM FRAME ASSY. 2 670 22 00 028 VAR.00
- AFTER ASSY. & TESTING SPRAY CRC ACRYFORM (M/S. DANMET CHEMICALS) OR EQUIVALENT ON BOTH SIDE OF PCB.

THE INFORMATION ON THIS DOCUMENT IS THE PROPERTY OF BHARAT HEAVY ELECTRICALS LIMITED. IT MUST NOT BE USED DIRECTLY OR INDIRECTLY IN ANY WAY DETRIMENTAL TO THE INTEREST OF THE COMPANY.



FIXING DETAILS OF LABEL  
(1T.006)

QTY	REV	DESCRIPTION	UNIT	QTY	REV	DESCRIPTION	UNIT	QTY	REV	DESCRIPTION	UNIT
001	-	018 LABEL	2 670 23 0 0007	035							
001	-	017 ASSY. OF PCB FOR BN CARD	1 670 22 0 0017	01		BP 9047573226					
004	004	016 WASHER SPG. SC. A 4 - ST.	1			AA7164001022					
004	004	015 WASHER MCD 4-3 - ST.	1			AA7161001021					
004	004	014 SCRU HEX SLT AM 4 X12 -4-8	2			BP7121105985					
002	002	013 BRACKET	4 670 23 00 024	001		BP9087571305					
004	004	012 WASHER SPG. SC. A 5 - ST.	1			AA7164001030					
004	004	011 WASHER MCD 5-3 - ST.	1			AA7161001030					
002	002	010 NUT HEX A M 5-8	1			AA7151115 083					
002	002	009 SCRU HEX SLT. A M 5 X 16 - 4-8	2			BP7121105900					
002	002	008 SCRU HEX. SLT. A M 5 X 25 - 4-8	2			BP7121105888					
002	002	007 SCRU TAP ST. 2.9 X 6.5 - C	1			AA 712 69 01 038					
001	001	006 LABEL	2 670 23 0 0007	034							
010	010	* 005 CONTACT	4 670 23 00 005	001		BP9087608047					
001	001	* 004 SHROUD	3 670 23 00 042	001		BP9067562998					
001	001	* 003 HANDLE	4 670 23 00 007	001		BP9087511353					
001	001	* 002 COVER ASSY.	2 670 23 00 009	00		BP9087512155					
001	001	001 ASSY. OF PCB FOR BN CARD	1 670 22 00 017	00		BP9047572955					

ADDITIONAL INFORMATION BN VR 96 M		E-TYPE	
STATUS OF DRAWING M		NAME OF CUSTOMER / PROJECT INDIAN RAILWAYS	
DISTRIBUTION OF PRINTS O.C. - 1 TCX (RFM) - 1		BHARAT HEAVY ELECTRICALS LTD. BHOPAL	
REV. DATE ALTERED / CHECKED / APPROVED		DESIGNED: A.S.A. DRAWN: A.S.A. CHECKED: A.S.A. APPROVED: A.S.A.	
REV. DATE ALTERED / CHECKED / APPROVED		SCALE: 1:1 WEIGHT (K.G.): 2 670 22 00 029	
REV. DATE ALTERED / CHECKED / APPROVED		REF. TO ASSY. DRG. ITEM NO. 003	
REV. DATE ALTERED / CHECKED / APPROVED		NO. OF SHEETS: 01 TOTAL SHEETS: 01	