

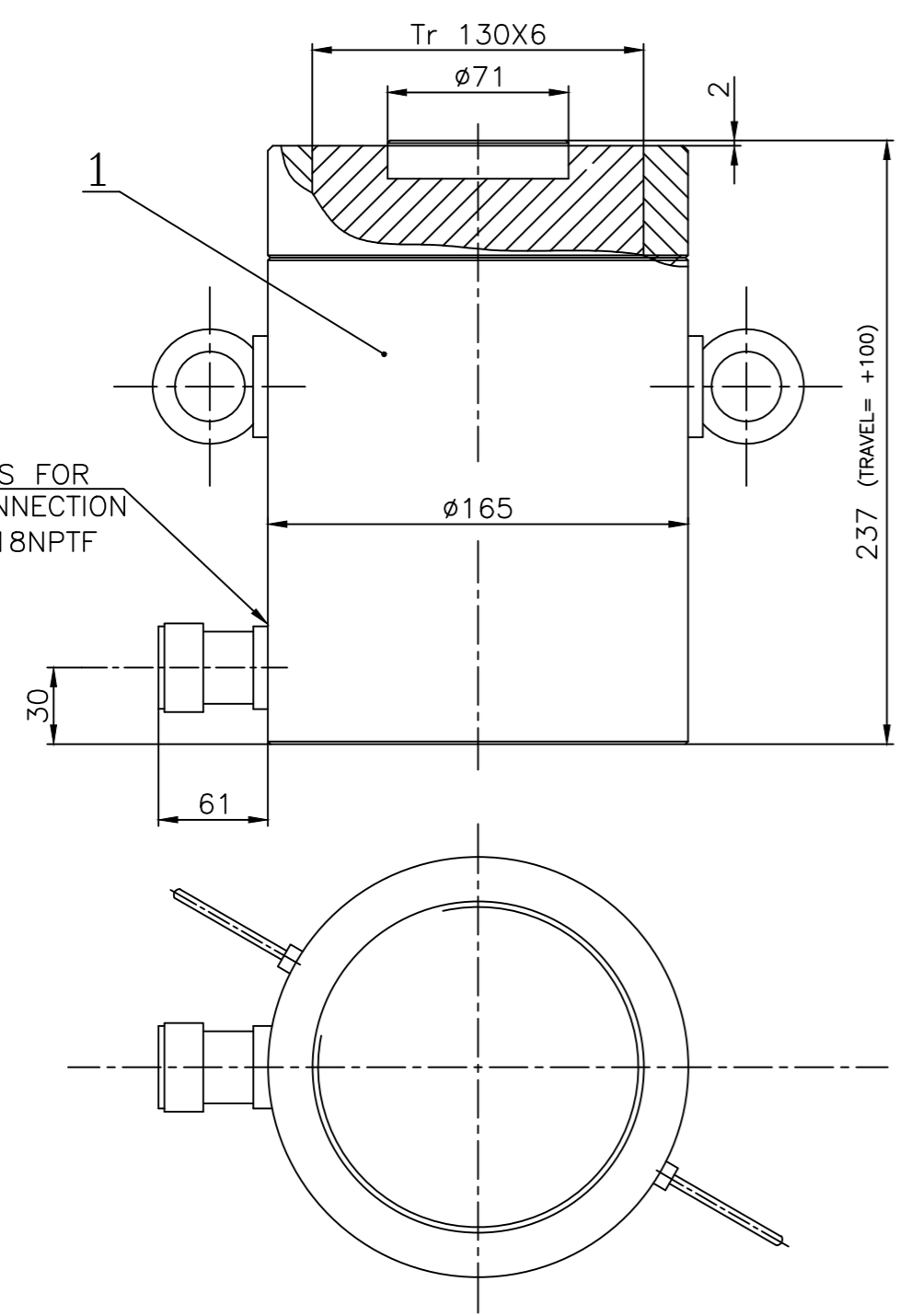
10029-90811-2  
DRAWING No. 2-11306-57001

FIRST ANGLE PROJECTION

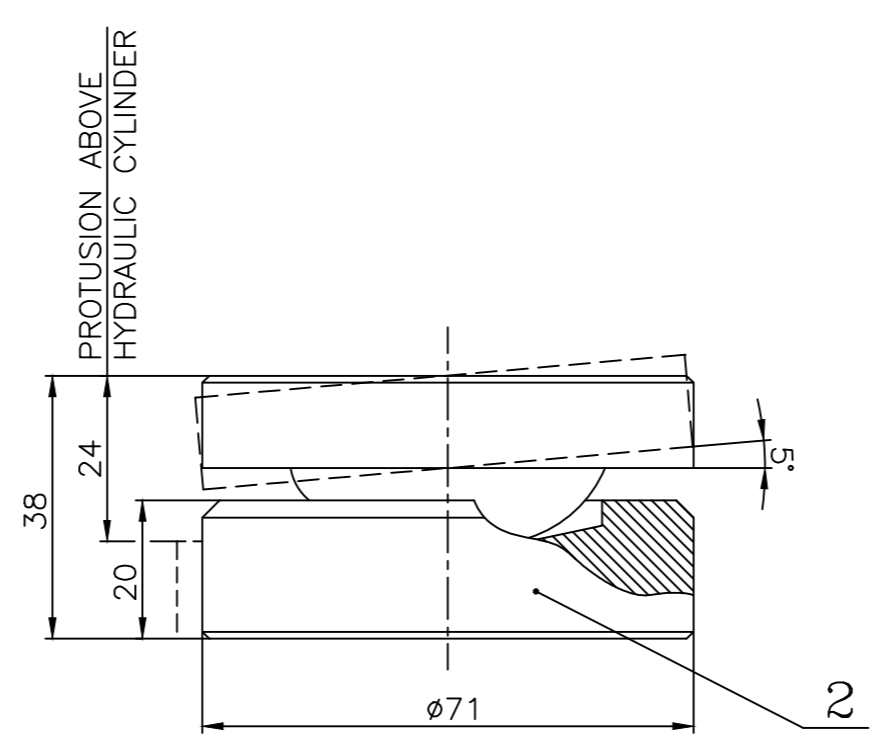
( ALL DIMENSIONS ARE IN mm )

FORM DG 44(B)

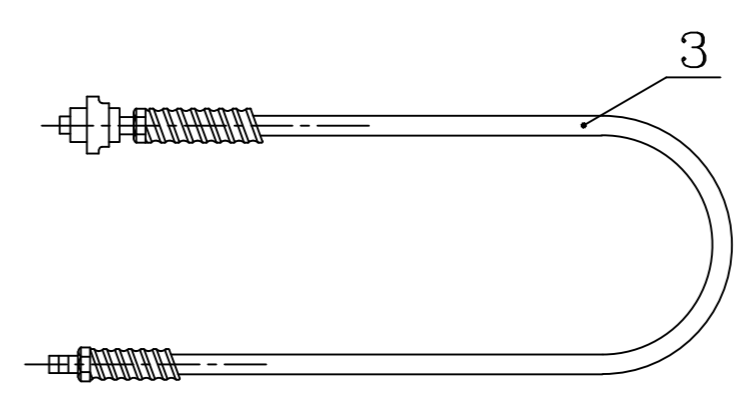
COPYRIGHT AND CONFIDENTIAL  
THE INFORMATION ON THIS DOCUMENT IS THE PROPERTY OF BHARAT HEAVY ELECTRICALS LIMITED. IT MUST NOT BE USED DIRECTLY OR INDIRECTLY IN ANY WAY DETERIMENTAL TO THE INTEREST OF THE COMPANY.



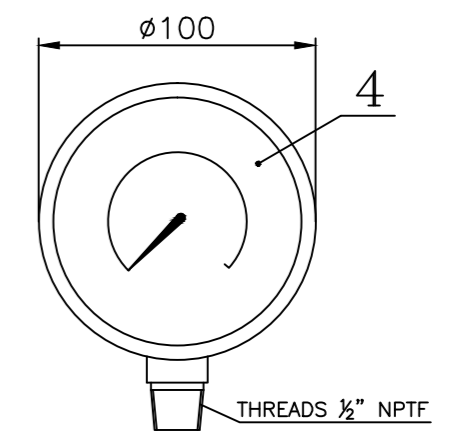
**HYDRAULIC CYLINDER**  
(WITH COUPLER CR 400)  
MAX. LIFTING FORCE : 919 KN  
SUPPLIER : ENERPAC  
MODEL : CLL 1004 (WITH LOAD LOCK NUT)  
WEIGHT : 40 KG



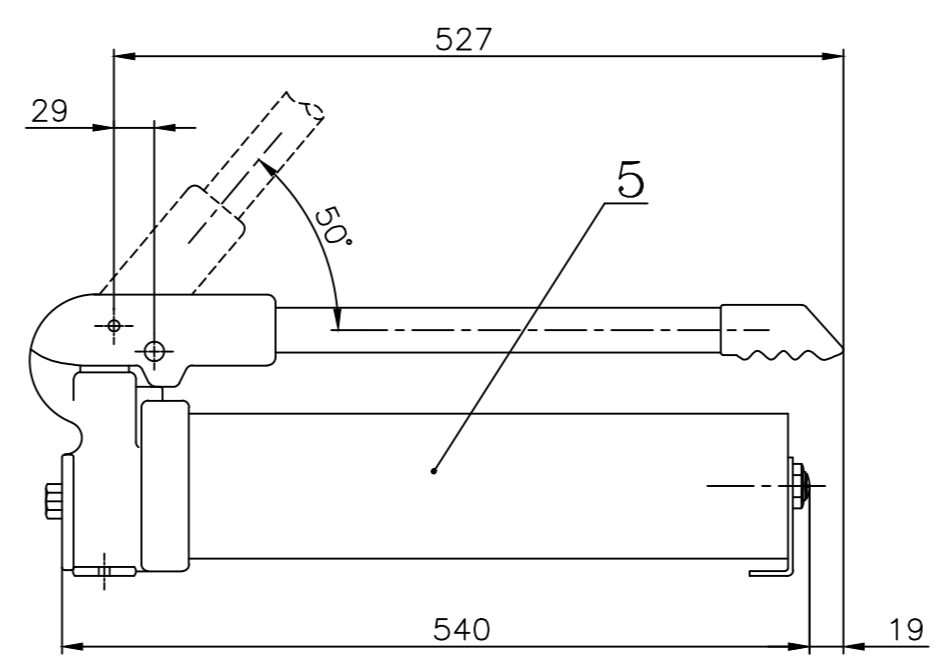
**TILT SADDLE**  
SUPPLIER : ENERPAC  
MODEL : CAT 100  
WEIGHT : 1 KG



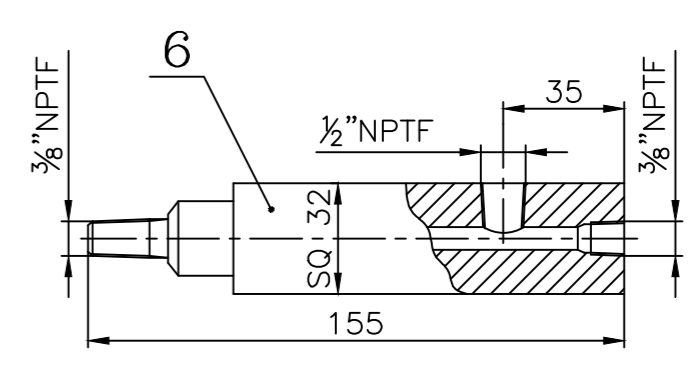
**HOSE**  
(WITH COUPLER CH 604)  
HOSE THERADS :  $\frac{3}{8}$ " NPTF  
SUPPLIER : ENERPAC  
MODEL : HC 9206  
LENGTH : 1.8 meters  
WEIGHT : 1.4 KG



**PRESSURE GAUGE**  
RANGE : 0-700 bar  
SUPPLIER : ENERPAC  
MODEL : GP 10S (IN METRIC SCALE BAR)  
01



**HAND PUMP**  
SUPPLIER : ENERPAC  
MODEL : P-80  
WEIGHT : 11 KG



**GAUGE ADAPTOR**  
SUPPLIER : ENERPAC  
MODEL : GA-2

- TECHNICAL REQUIREMENTS :** 02
- CERTIFICATE OF COMPLIANCE TO BE FURNISHED.
  - SUPPLIER SHALL FURNISH 3 SETS OF FOLLOWING DOCUMENTS WITH THEIR TECHNICAL OFFER :-
    - G.A. DRG. OF HYD. CYLINDER AND PUMP.
    - SPARES LIST.

MATERIAL CODE : W97311306019

ENERPAC CATALOGUE  
Ref. Drawing No.  
Sign & Date  
Inventory No.

REV	DATE	ALTERED CHECKED	REV	DATE	ALTERED CHECKED	REV	DATE	ALTERED CHECKED	REV	DATE	ALTERED CHECKED
02											

GRADE OF UNTOL. DIM		GMS No./ CBOM No.		STATUS OF DRG	
M/CG.- AA0230208 m		1-11306-57000		U	
WELDING-CLASS 'B' OF AA0621104		AGREED DEPT		NAME	
GAS CUTTING-TABLE 3 OF AA0621101		SIGN		DATE	
A SHUKLA		ASHOK		DKRAY	
A SHUKLA		DKRAY			
CHANGES MADE AS PER C/A NO.STE-08-F0094		CHANGES MADE AS PER C/A NO.STE-07-F0396			

TYPE OF PRODUCT OR NAME OF CUSTOMER/PROJECT		STEAM TURBINE			
BHARAT HEAVY ELECTRICALS LTD. RANIPUR, HARDWAR		NAME		SIGN	
SUDHIR		Sd/-		DATE	
A.K.S		Sd/-		25.10.06	
A.SHAH		Sd/-		15.11.06	
DEPT STE		SCALE NTS		WEIGHT (KG)	
CODE 4011		7		54.0	
TITLE : HYDRAULIC CYLINDER SET (919KN)		REF. TO ASSY. DRG.		ITEM No.	
		1-11306-57000		01	
CARD CODE		DRAWING NO.		NO. OF SHEETS	
7		2-11306-57001		1	
		SHEET No.		No. OF SHEETS	
		1		1	

SIZE A2