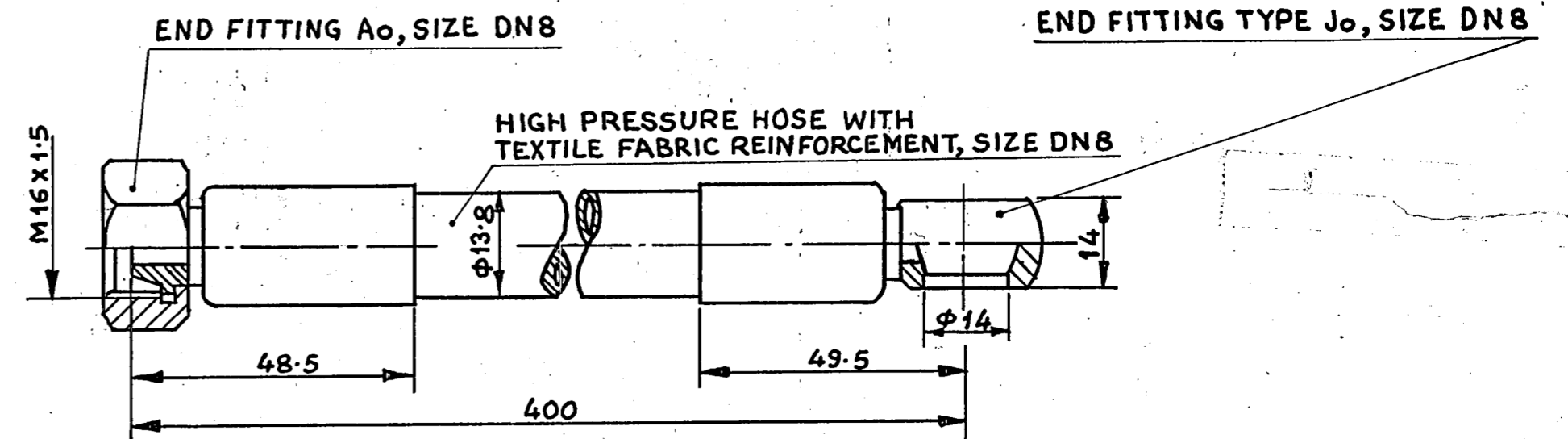


90010-71-271-2
DRAWING NO.



TECHNICAL REQUIREMENTS

1. THE COMPLETE ASSEMBLY AS SHOWN IN THE DRAWING OF LENGTH 400 mm IS DESIGNATED AS 3HT 8 Ao Jo - 400, WHICH CONTAINS THE FOLLOWING
 - (a) HIGH PRESSURE HOSE OF SYNTHETIC RUBBER WITH TEXTILE FABRIC REINFORCEMENT, SIZE DN8, TYPE OF HOSE 3HT.
 - (b) ONE SIDE OF THE HOSE (AS PER (a) ABOVE) BE FITTED WITH END CONNECTION OF SIZE DN8, TYPE Ao. THIS END FITTING CONSISTING OF A NIPPLE AND AN UNION NUT.
 - (c) THE OTHER END OF THE HOSE (AS PER (a) ABOVE) BE FITTED WITH INSERT NIPPLE OF SIZE DN8, TYPE Jo.
2. MATERIAL OF END FITTINGS : STEEL OR AS SELECTED BY THE SUPPLIER, ZINK PLATED AND PASSIVATED .
3. THE COMPLETE ASSEMBLY SHOULD BE SUITABLE FOR WORKING PRESSURE (DYNAMIC) OF 270 BAR, PROOF PRESSURE OF 550 BAR FOR 30 MINUTES, BURST PRESSURE 800 BAR (MIN.).
4. ELECTRICAL RESISTANCE $\geq 100 \text{ M} \sim$ PER METRE.
5. THE HOSE ASSEMBLY SHALL BE SUITABLE FOR BENDING. MINIMUM BENDING RADIUS $\geq 60 \text{ mm}$.
6. INSIDE AND OUTSIDE OF THE HOSE MUST BE RESISTANT AGAINST LUBRICATING AND GOVERNING OIL AND SO ALSO AGAINST DEMINERALISED WATER.
7. PROBABLE SUPPLIERS : (1) M/S ARGUS GESELLSCHAFT MBH, GOETHE STRASSE 15, D-75057 ETTLINGEN, POSTFACH 1151, WEST GERMANY. (1) (2) M/S KWU, WEST GERMANY. (2) (2) M/S PWL HYDRAULIK GERMANY.

MATERIALS
 INNER LAYER : TEFLON
 OUTER LAYER : HYTREL 5556 (55 SHORE)
 BRAIDING : KEVLAR

PURCHASED

ORDERING DESCRIPTION ETC. HIGH PRESSURE HOSE ASSEMBLY
 TYPE 3HT 8 Ao Jo - 400

| | | | | | | | |
|--------|---------|----------|-------------|-------------|---------------|---------------|------|
| VAR.00 | REMARKS | ITEM NO. | DESCRIPTION | DRAWING NO. | MATERIAL CODE | UNIT WT. (Kg) | ZONE |
| | | | | | W98414200245 | 0.100 | |

| | | | | |
|----------------|----------------|---|---------|--------------|
| GMS/DRG. NO. | STATUS OF DRG. | TYPE OF PRODUCT OR NAME OF CUSTOMER / PROJECT | | |
| 1-142-14-01004 | | BRUSHLESS EXCITER FOR 210 MW TG. (H2 COOLED) | | |
| AGREED DEPT. | NAME | SIGN. | DATE | NO. OF VARS. |
| GTX | S.C. GOYAL | | 13.7.87 | |

| | | | | | | |
|-----------|--------------------|--------|-------------|--------------------|-----------------|--------------|
| DEPT. | GRADE OF UNTOLODIM | SCALE | WEIGHT (Kg) | REF. TO ASSY. DRG. | ITEM NO. | NO. OF ITEMS |
| T.G.E. | C/M/F | N.T.S. | 0.100 | 1-142-14-01004 | 001 | |
| CODE | | | | DRAWING NO. | REV. | |
| 4233 | | | | 2-142-14-01006 | 02 | |
| TITLE | | | | CARD CODE | | |
| HP - HOSE | | | | | | |
| | | | | SHEET NO. | NO. OF SHEETS:- | |
| | | | | 1 | 1 | |

| | | | | | |
|------|---------|---------------|------|---------|-------------|
| REV. | DATE | ALTERED | REV. | DATE | ALTERED |
| 02 | 20.7.02 | CHECKED VIVEK | 01 | 8.09.98 | CHECKED RCB |
| | | | | | |
| | | | | | |

THE INFORMATION ON THIS DOCUMENT IS THE PROPERTY OF BHARAT HEAVY ELECTRICALS LIMITED. IT MUST NOT BE USED DIRECTLY OR INDIRECTLY IN ANY WAY DETRIMENTAL TO THE INTEREST OF THE COMPANY.
 INVENTORY NO. E41-12005
 SIGN & DATE: 26.7.87
 26-7227-86169/KUD
 KUN66-10 (OF NO.1)

M.F.