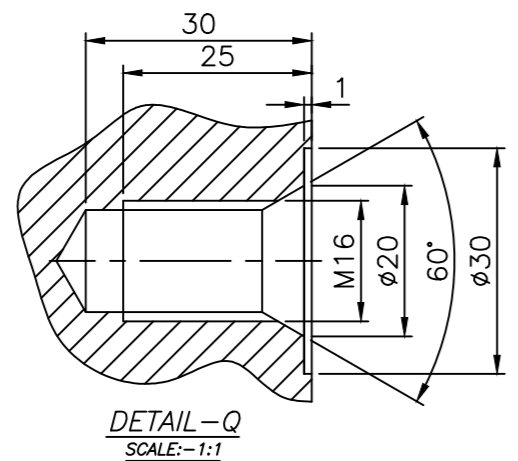
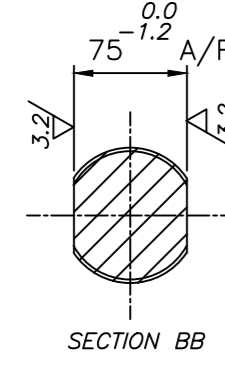
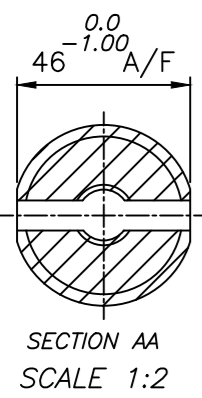
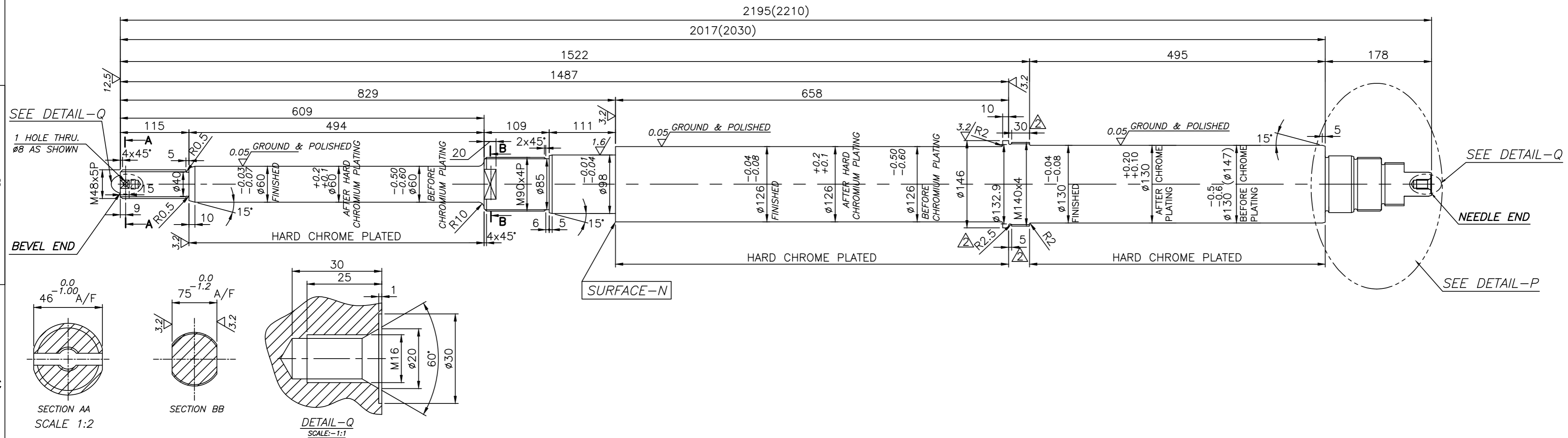


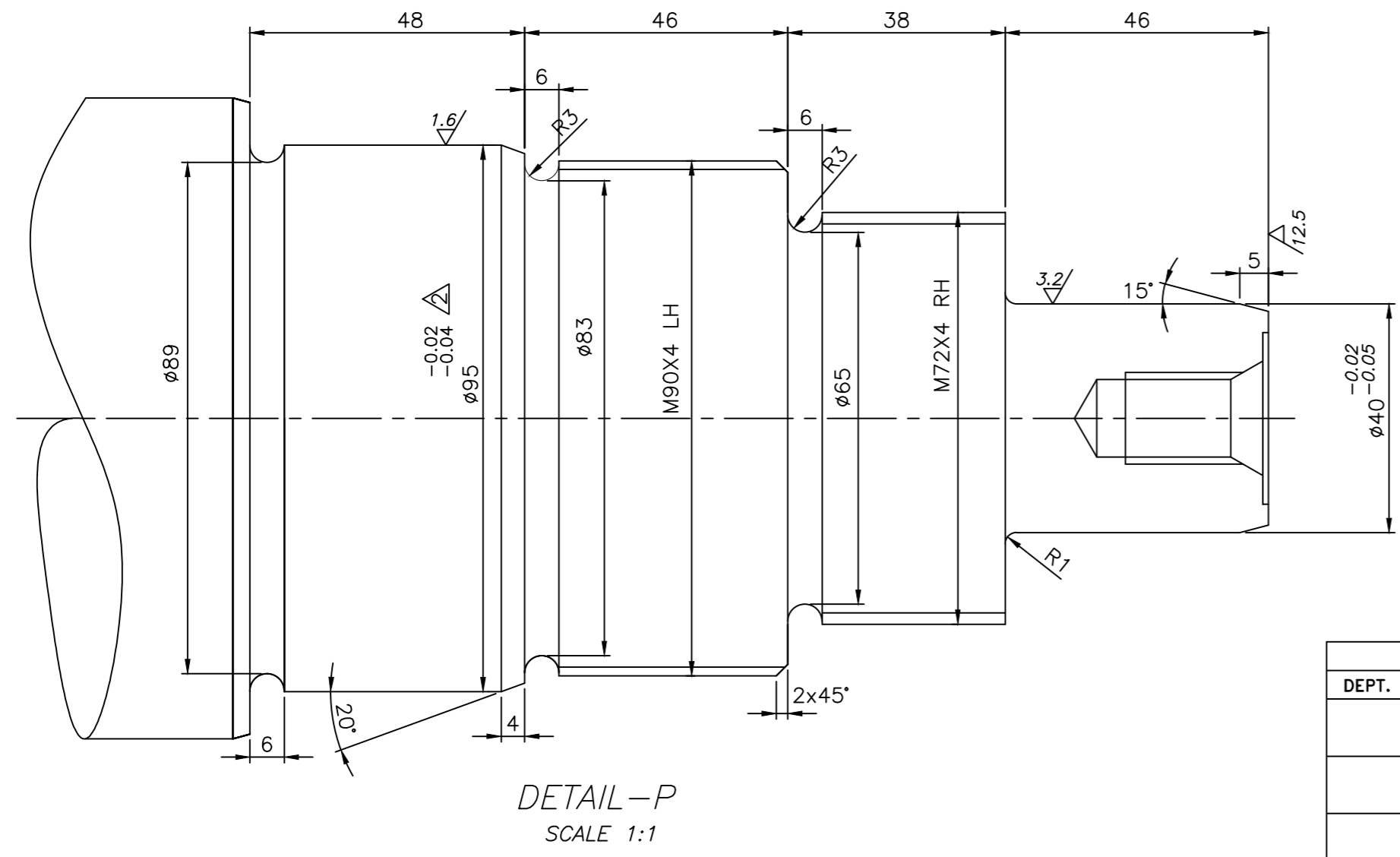
DRG. NO. 2-203-04-19211

THE INFORMATION ON THIS DOCUMENT IS THE PROPERTY OF BHARAT HEAVY ELECTRICALS LIMITED. IT MUST NOT BE USED DIRECTLY OR INDIRECTLY IN ANY WAY DETRIMENTAL TO THE INTEREST OF THE COMPANY.



TECHNICAL REQUIREMENTS: -

1. REMOVE ALL BURRS & SHARP CORNERS.
2. ALL DIMENSIONS SHOWN TO BE STRICTLY MAINTAINED TO DRG. DIMENSIONS IN ORDER TO ACHIEVE INTERCHANGEABILITY. NO CONCESSION WILL BE ALLOWED ON THESE DIMENSIONS.
3. PAINT AND PROTECT TO HT 00005 CAT. 'G'.
4. FACE 'N' SHALL BE SQUARE TO AXIS OF THE NEEDLE ROD.
5. TOOL MARKS NOT ALLOWED IN UNDERCUT AREAS.
6. MACHINE ALL OVER $\sqrt{3}$ UNLESS OTHERWISE STATED.



59	64	65	75	78	79	25	27	29	58	59	60	77	78	79	80	81	82	83	84	85	86	87	88	89	90	91	92	93	94	95	96	97	98	99	100
VAR.01	REMARKS		VAR. NO.	ITEM NO.	DESCRIPTION			STD.	DRAWING NO.		MATERIAL CODE		MATL. SPCN.	UNIT	UNIT WT.	QTY.	ZONE																		
			001			NEEDLE STEM (FORGING)			32030419205					186.500	001																				

DRAWING REVIEW				ADDITIONAL INFORMATION				TYPE OF PRODUCT OR NAME OF CUSTOMER/PROJECT				MANGDECHHU HEP			
DEPT.	NAME	SIGN.	DATE	32008X20304 TO 32011X20304											
				STATUS OF DRAWING U				DISTRIBUTION OF PRINTS				HTE-2 WTS-4 WTP-1 THX-1			
								Bharat Heavy Electricals Ltd. Bhopal				DRN S.K.G. -sd- 18.9.14 NO. OF VAR. 00			
								DEPT. HTE				REF. TO ASSY. DRG. 0-203-04-19201			
								UNTO. DIMS. GR. REF. DRG. NO. 32000049014				SCALE 1:5 WEIGHT (K.G.) 152.00			
								TITLE				DRAWING NO. 2 203 04 19211			
								NEEDLE ROD M/C				SHT. NO. 1 NO. OF SHT. 1			

REV.	DATE	ALTERED CHECKED APPD.	REVISION
02	28.01.15	SKG APPD. AM	DRG REVISED AS PER FEEDBACK FROM WTM-TOOLING. REVISION SYMBOL MARKED AT THE PLACES OF REVISION.

REV.	DATE	ALTERED CHECKED APPD.	REVISION
01	25.11.14	SKG APPD. AM	DRG REVISED DUE TO REVISION OF NEEDLE STEM (FORGING)