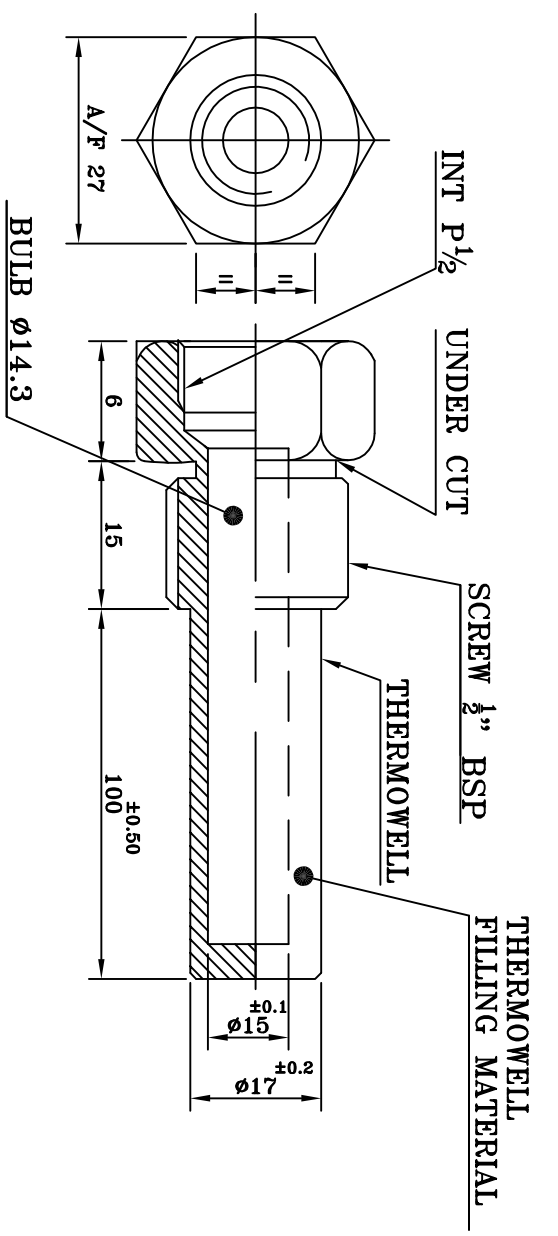
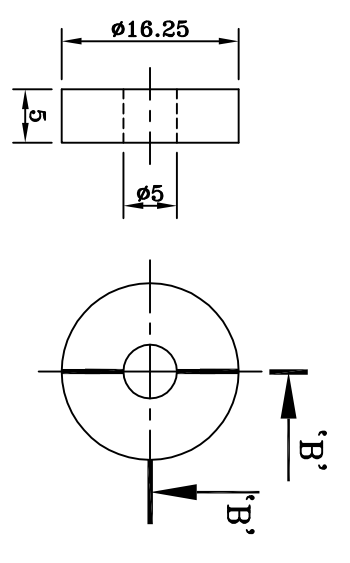
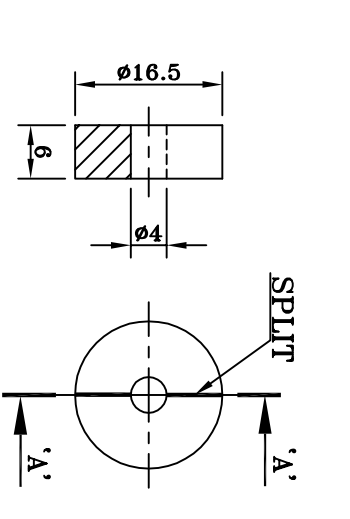
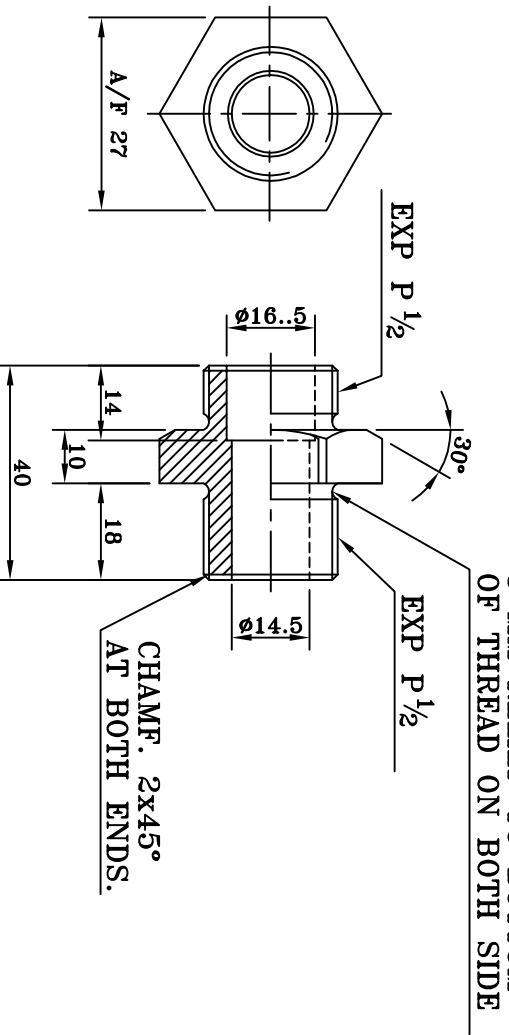
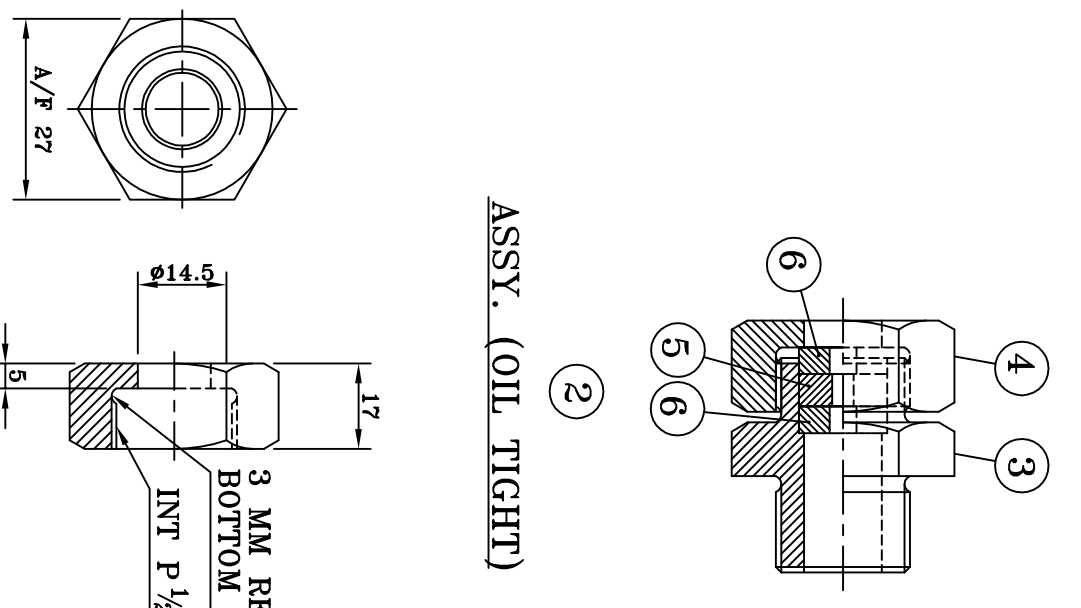


① THERMOSTAT WITH GLAND NUT ASSY.



SPECIFICATIONS:-

- MAX. CURRENT CAPACITY = 1 AMPS.
- MAX. OPERATING VOLTAGE = 250 V.D.C. ± 10 %
- TEMP. RANGE = 25°-90°C
- CAPILLARY TUBE LENGTH 'L' = 5 METER
- SWITCH ACTION = SPDT
- DIFFERENTIAL TEMP. = 3° TO 5° C
- ACCURACY = ±3°C OF SET POINT
- SETTING TEMP. = 75°C FOR BEARING & HOT AIR
- REPEATABILITY = 40°C FOR HEATER CONTROL
- = ±3°C

APPLICATION:-
BEARING PADS, HOT AIR & THERMOSTAT CONTACT WILL BE DIRECTLY USED FOR THE GENERATOR TRIPPING DEVICE.

VAR.01	VAR.00	REMARKS	75 78	79 25	27 29	DESCRIPTION	DRAWING NO.	77 28	31 34	MATL. CODE	45	A	L	Z	68	QTY.	51	52
			00	001	001	THERMOSTAT WITH GLAND NUT	3	58	59	60						1.82		
001			01	002	003	OIL TIGHT GLAND NUT ASSY.										0.12		
001			01	004	004	ADAPTOR A/F 27x40 STAINLESS STEEL										0.04		
002			002	006	006	RUBBER BUSH 6TK.X Ø16.50 CHLOROPRENE RUBBER										0.001		
002			002	007	007	THERMOWELL PLATED BRASS OR STAINLESS STEEL AISI-304										0.200		

HYDROGENERATOR
 STATUS OF DRAWING: S
 DISTRIBUTION OF PRINTS: HGE-4, TEX-1, PLM-7
 ADDITIONAL INFORMATION: NA
 NAME OF PRODUCT OR PROJECT: **HYDROGENERATOR**
 NAME OF CUSTOMER/PROJECT: **DEEPAK**
 TYPE OF DRAWING: **STANDARD DRAWING**
 REVISION TO BE APPROVED BY STANDARD GROUPS



BHARAT HEAVY ELECTRICALS LTD.
 BHOPAL

REVISION TO BE APPROVED BY STANDARD GROUPS

REV.	DATE	ALTERED	DATE	ALTERED
CHECKED		CHECKED		CHECKED
APPROVED		APPROVED		APPROVED

REV.	DATE	ALTERED	DATE	ALTERED
CHECKED		CHECKED		CHECKED
APPROVED		APPROVED		APPROVED

ORDERING PARTICULARS OF THERMOSTATS (FOR BEARING, AIR & HEATER)
 2 259 03 01 016
 DRAWING NO. 2 259 03 01 016
 REV. 00