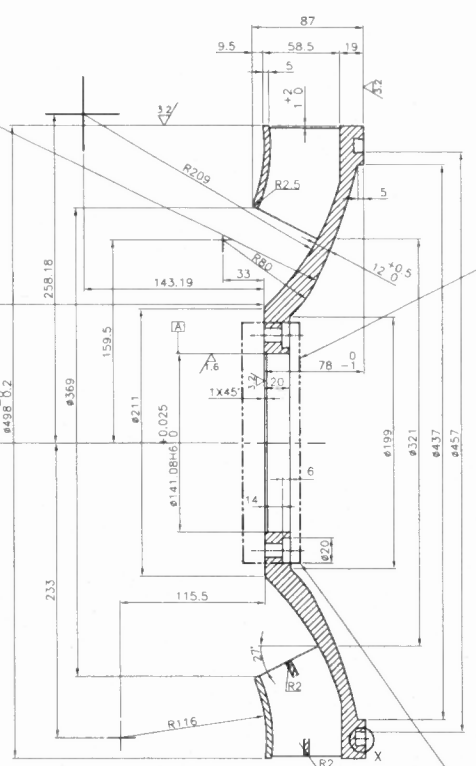
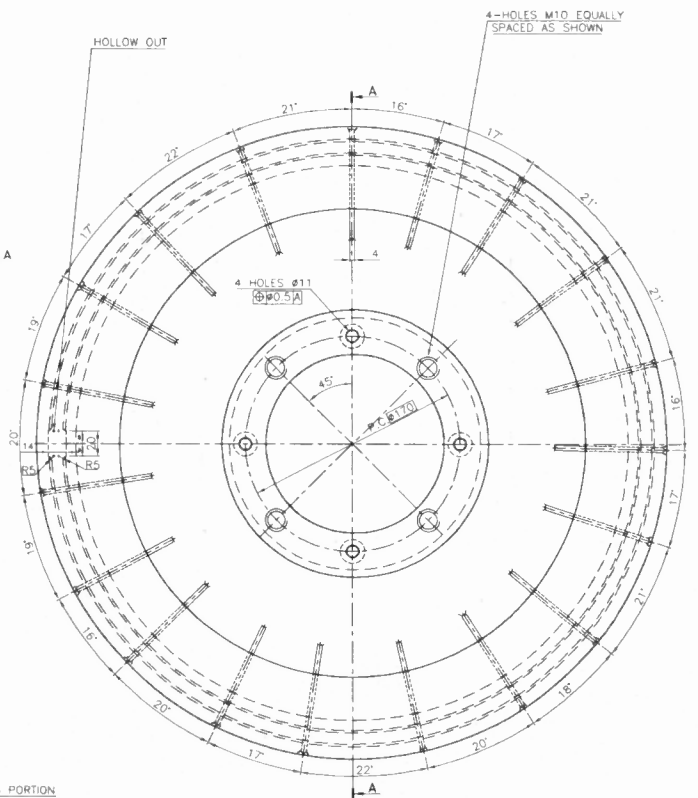


TOOL LIST		
IT. NO.	TOOL NO.	DESCRIPTION
001	1579019	DOVETAIL TOOL LH & RH
001	1579020	DOVETAIL GAUGE
001	1579118	PIN GAUGE 141.08 +0.025/0
001	1579119	SANP GAUGE 20
001	1579120	STEP GAUGE (78-1)-20
001	1579121	DRILL JIG FOR ALL HOLES
001	1579030	PIN GAUGE (S/F) 140.88/140.60
001	1579036	STATIC BALANCING MANDREL
001	1579175	DYNAMIC BALANCING MANDREL



SECTION-AA

HUB PORTION
SEE NOTE-4

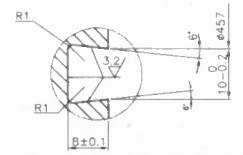


HOLLOW OUT

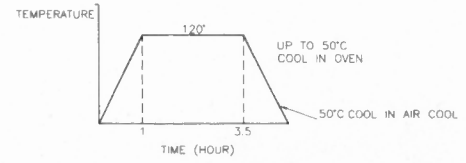
4-HOLES M10 EQUALLY
SPACED AS SHOWN

NOTES-

- VENTILATOR TO BE GIVEN AN ACCURATE DYNAMIC BALANCE BY THE ADDITION OF BALANCE WEIGHTS OF SUITABLE QUANTITY AS PER DRAWING NO.34450203004.
- CASTING TOLERANCES TO IS 4897 CL-1.
- MACHINING ALLOWANCES TO BE MAINTAINED 5 +2/0
- RADIOGRAPHY TO BE DONE AS PER SPEC. TM07375 AT POSITION MARKED 'A' & DP TESTING TO AA0850131 & AA0850132 FOR REMAINING PORTION.
- NON STATED RADII R=3
- MATERIAL TESTING AS PER SPECIFICATION TM07375.
- VENTILATOR TO BE STRESS RELIEVED.



VIEW-X



STRESS RELIEVING CYCLE

001 VENTILATOR		TM 07375	
VAR. NO.	REMARKS	DRAWING NO.	DATE
VAR. NO.	VAR. NO.	VAR. NO.	VAR. NO.
ADDITIONAL INFORMATION		TYPE OF PRODUCT OR NAME OF CUSTOMER/PROJECT	
STATUS OF DRAWING		IM3601AZ	
DISTRIBUTION OF PRINTS		BHARAT HEAVY ELECTRICALS LTD. BHOPAL	
TIME-1	TXM-3	TXN-1	
REV.	DATE	ALTERED CHECKED APPR.	ZONE
REV.	DATE	ALTERED CHECKED APPR.	ZONE
REV.	DATE	ALTERED CHECKED APPR.	ZONE
DEPT. CODE		UNTD. DIMS. OR. CODE	SCALE
405		AA0230208	NTS
TITLE		REF. TO ASSY Dwg	ITEM NO. OF ITEM
VENTILATOR 19 BLADES DE (R&D DEVELOPED)		04451003001	006
DRAWING NO. 24450203002		REV. 00	
SHT. NO. 01		NO. OF SHT. 01	