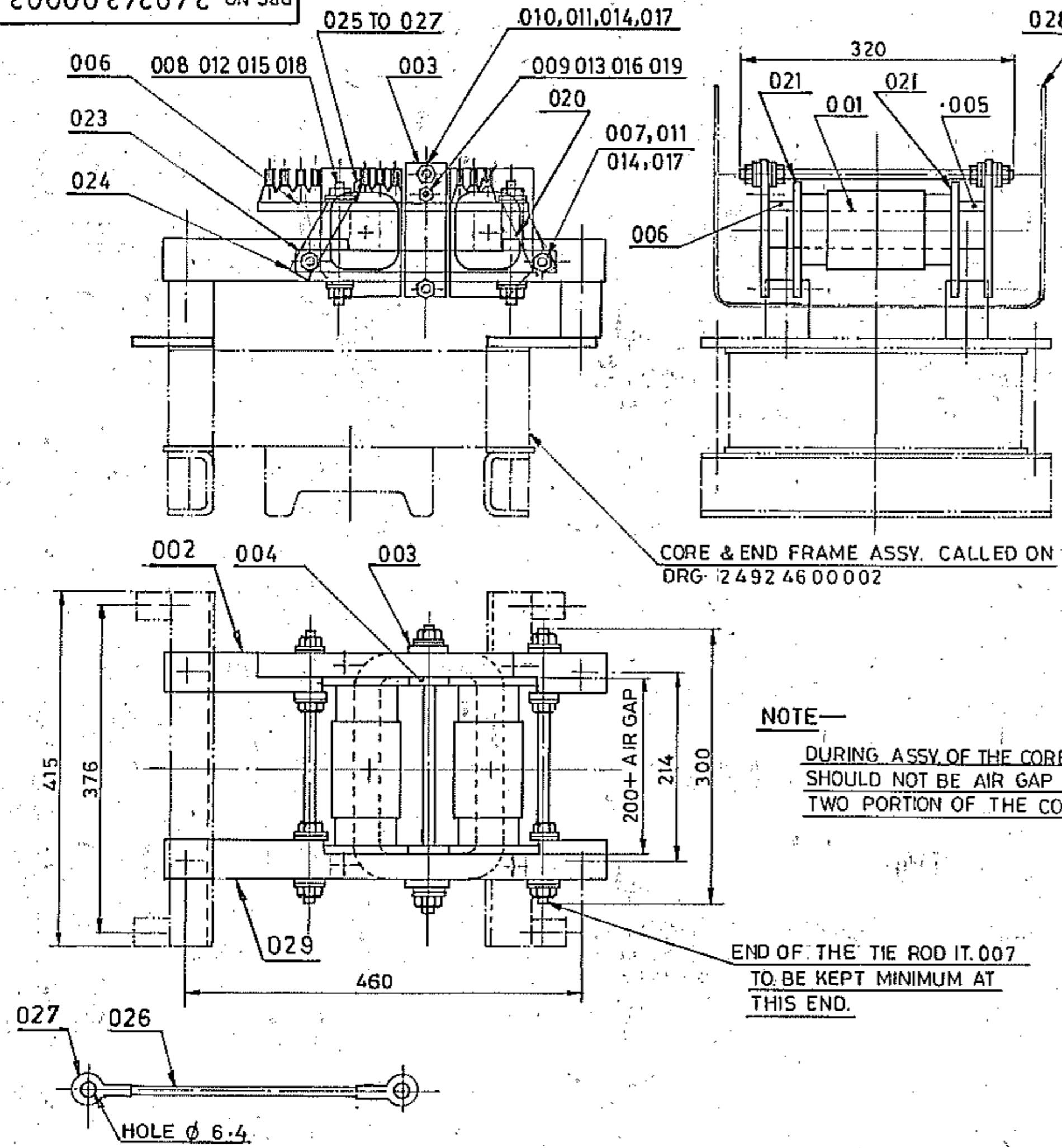


FIRST ANGLE PROJECTION

(ALL DIMENSIONS ARE IN mm)

DRG NO. 2492430003



CORE & END FRAME ASSY. CALLED ON DRG-2492460002

NOTE
DURING ASSY OF THE CORE THERE SHOULD NOT BE AIR GAP BETWEEN TWO PORTION OF THE CORE.

END OF THE TIE ROD IT.007 TO BE KEPT MINIMUM AT THIS END.

ITEM NO.	DESCRIPTION	QTY	UNIT	REF. TO ASSY. DRG.	ITEM NO.	DESCRIPTION	QTY	UNIT	REF. TO ASSY. DRG.
001	CALLLEDON G.A.DRG.				029	SUPPORT	34924300001	006	1.123
012	ST 604785				028	BARRIER			
006					027	COPPER TERMINAL END HOLE Ø 6.4	TR 20051 T FIG.1 IT.003		
001					026	SHORTING LINK 50/16-25, 1-C PVC CABLE 150 TO 200 LG	15 694		00284
004					025	LUG	44903800003	003	
002					024	COPPER LINK	44903800004	002	0248
002					023	COPPER LINK	44903800004	001	0275
002					022	END WASHER	44904400005	002	027
004					021	END WASHER	44904400005	001	083
001					020	LAYER WOUND INSULATION ASSY.	34924400002	00	3.0 /coil
008					019	WASHER SPRING SC B 8 - STEEL	AA7164002053		001656
008					018	WASHER SPRING SC B 10 - STEEL	AA7164002061		0026
012					017	WASHER SPRING SC B 12 - ST.	AA7164002070		003993
008					016	WASHER MCD 8.4 STEEL	AA7161001056		002079
008					015	WASHER MCD 10.5 STEEL	AA7161001064		003895
012					014	WASHER MCD 13 STEEL	AA7161001072		006156
003					013	NUT HEX. P M8 - 8/R16	AA7151115024		00240
008					012	NUT HEX. P M10 - 8/R16	AA7151115032		001169
012					011	NUT HEX. P M12x8/R16	AA7151115040		001726
001					010	TIE ROD M12 x 320	34894300001	012	266
004	L=80, E.T.				009	STUD M8 x L	TR-20048 S	035	035
004					008	STUD M10 x 130	34894300001	003	091
002					007	TIE ROD M12 x 300	34894300001	011	249
001					006	TERMINAL BLOCK ASSY.	44904400004	001 TO 007	24662
001					005	TOP CLAMP	24924600003	010	508
002					004	SIDE CLAMP	34924300001	002	078
002					003	SIDE CLAMP	24924600003	009	616
001					002	SUPPORT	34924300001	005	1.123
001					001	CORE	24924300002	001	5.3

VAR. NO.	REMARKS	VAR. NO.	ITEM NO.	DESCRIPTION	STD.	DRAWING NO.	MATL CODE	UNIT WT.	ZONE
01									

ADDITIONAL INFORMATION		TYPE OF PRODUCT OR NAME OF CUSTOMER/PROJECT	
STATUS OF DRAWING <input checked="" type="checkbox"/>		BHARAT HEAVY ELECTRICALS LTD Bhopal	
DISTRIBUTION OF PRINTS		DRN. NAME: S.K. Sharma, SIGN: Sharma, DATE: 13-2-93, NO. OF VAR.: 00	
TRE-1	TCX-1	APPD. P. S. JAIN, DATE: 15-4-93	
TRM-3		DEPT. TRE, GRADE OF UN.TOL. DIM. C/M/F, SCALE 1:5, WEIGHT (kg) 12.50 kg, REF. TO ASSY. DRG. 049210 00002 (006), ITEM NO. 029	
REV. DATE ALTERED BY		TITLE	
05	03/05/01	असिम्बली आर कोर संवकाइल	
04	12.11.97	असिम्बली (सी. व्ही. टी.)	
03	7-3-95	DRAWING NO. 24924300003	
02	20.1.94	SHEET NO. 1, NO. OF SHEETS 1	
01	22.11.93	REV. 05	

THE INFORMATION ON THIS DOCUMENT IS THE PROPERTY OF BHARAT HEAVY ELECTRICALS LIMITED. IT MUST NOT BE USED DIRECTLY OR INDIRECTLY IN ANY WAY DETRIMENTAL TO THE INTEREST OF THE COMPANY.

INVENTORY NO. SIGN. & DATE REF. DRG. NO.