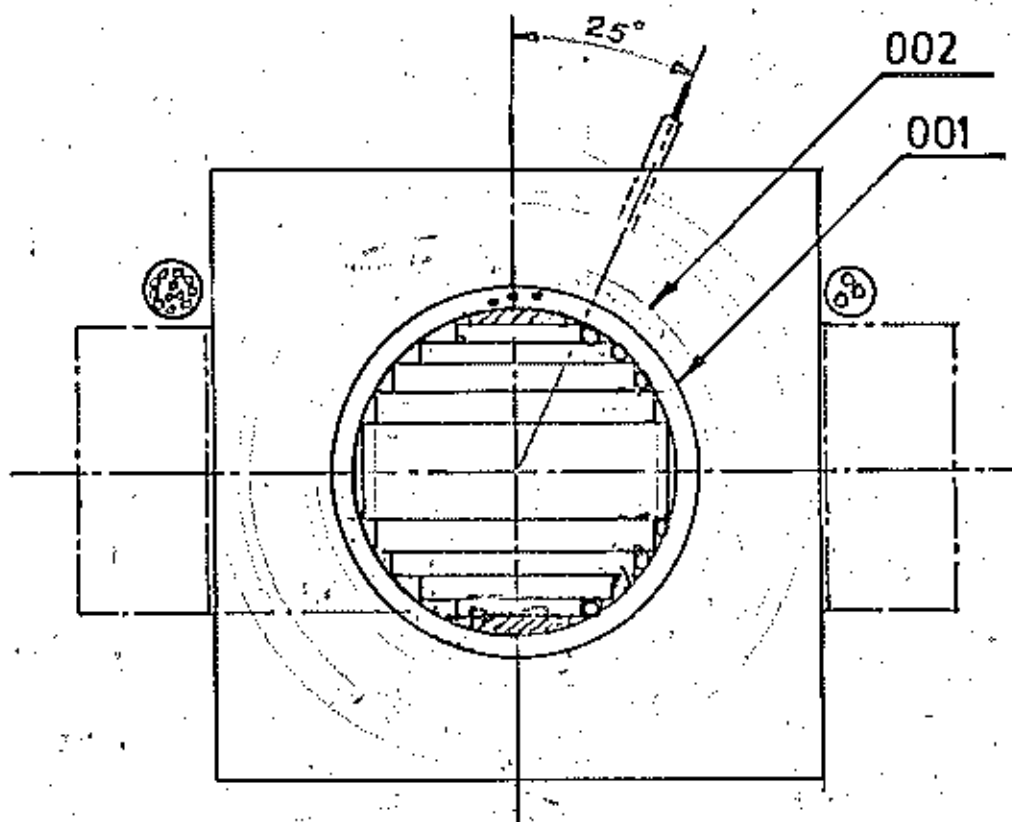
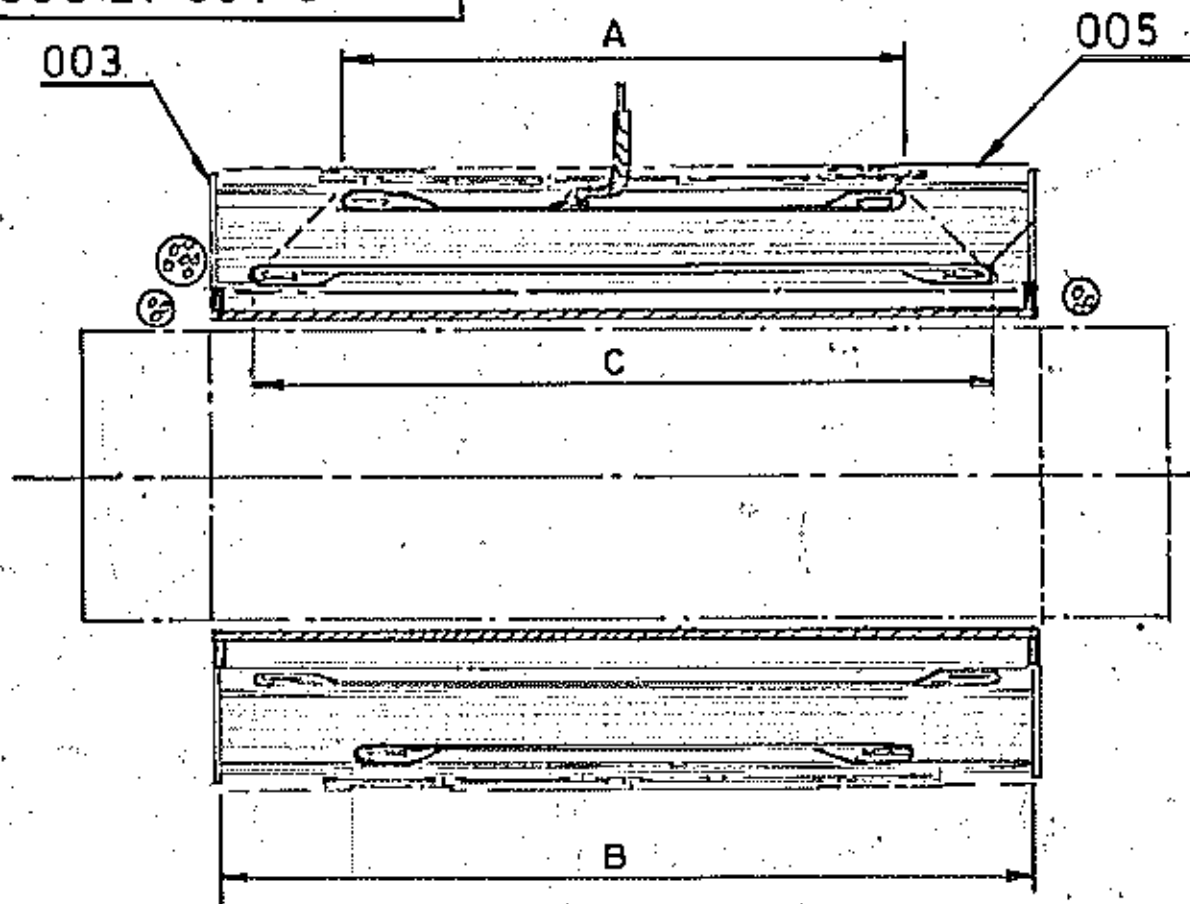
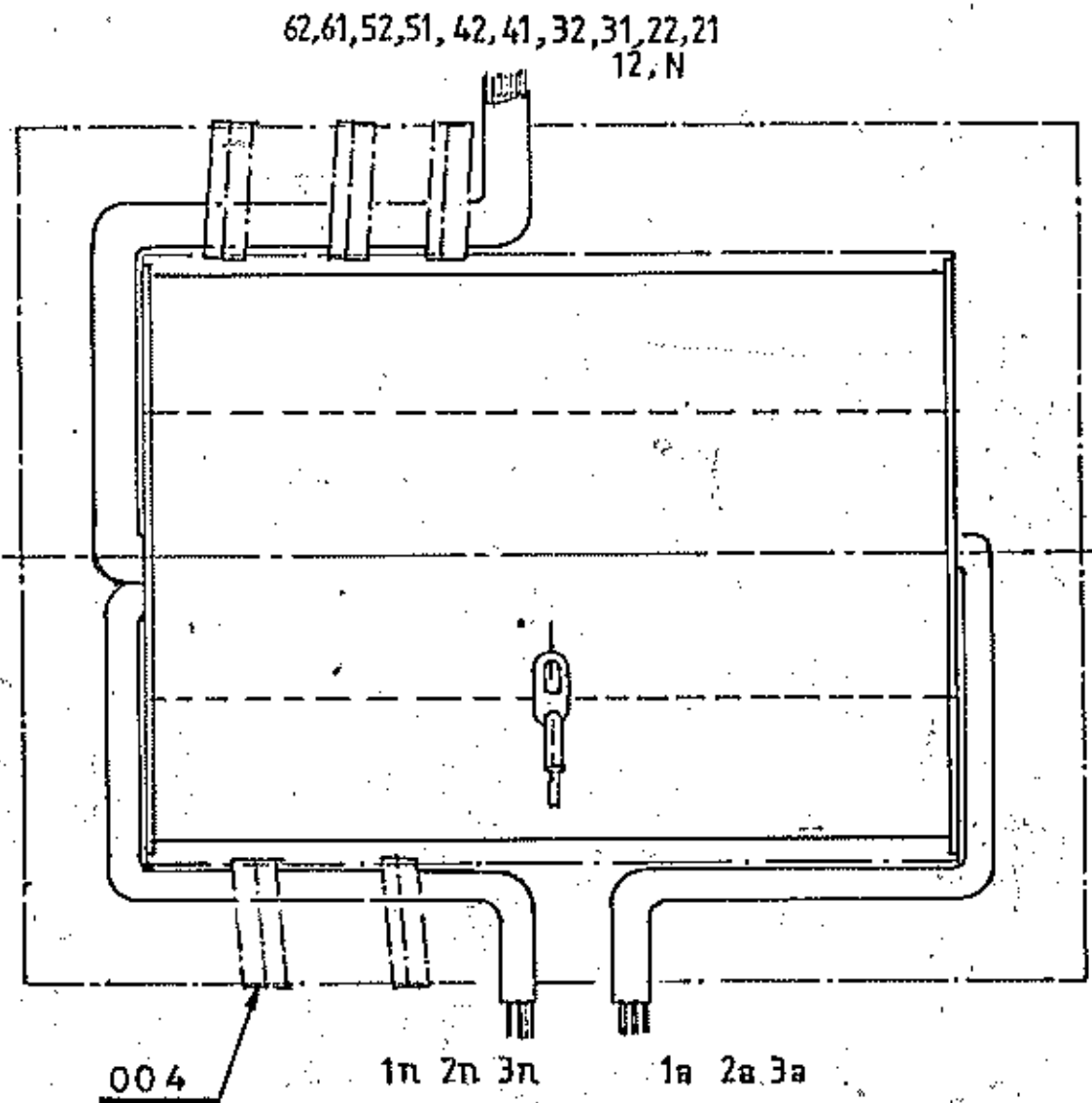


DRG NO. 2 492 47 00003



ELEC. SPEC. NO.	DIMN. A LINE SHIELD WIDTH.	DIMN B PAPER WIDTH.	DIMN C EARTH SHIELD WIDTH.
610358 Rev02	218	324	300



NOTE
 1. TAKE OUT TAPPING LEADS THROUGH END WASHER IT. 003 AND TAPE ALL LEADS TOGETHER WITH 2 LAYER OF HALF OVER LAPPING COTTON TAPE IT. 004
 2. REFER WINDING INSULATION DRG 2 492 47 00001, AND ALSO MID FOR FOLLOWING DIMENSIONS.
 A = LINE SHIELD WIDTH
 B = PAPER WIDTH
 C = EARTH SHIELD WIDTH

LEADS ARE TO BE WOUND WITH CORE LIMB BY THE TWO TURNS OF HALF OVERLAP COTTON TAPE IT.004

VAR. NO.	REMARKS	VAR. NO.	ITEM NO.	DESCRIPTION	STD.	DRAWING NO.	MATL. CODE	UNIT	UNIT WT.	QTY.	ZONE
001		005		BARRIER		3492 47 00003	002				
001		004		COTTON TAPE 0.2TK x 20 x 30MTR.			AA2311607065 AA 23107				
002		003		END WASHER		3492 47 00003	001				
001		002		PRIMARY COIL DETAIL		2 492 47 00 001					
001		001		SECONDARY COIL DETAIL		3 492 47 00004					

ADDITIONAL INFORMATION		TYPE OF PRODUCT OR NAME OF CUSTOMER / PROJECT	
STATUS OF DRAWING		BHARAT HEAVY ELECTRICALS LTD. BHOPAL	
DISTRIBUTION OF PRINTS TR1 - 1 TR2 - 3 TR3 - 1		DRN. S.K.SHARMA CHD. P.C.JAIN APPD. S.MAHAPATRA	
REV. 02 DATE 27.02.01		SIGN. [Signature] DATE 22.4.93	
DIMN TABLE AND DIMNS FOR ES 610358 REV.02 ADDED.		NO. OF VAR. 00	
ZONE IT. 005 ADDED. ZONE B-7 LEAD MARKING INTER CHANGE CORE SECTION WAS IN 3 STEP		NO. OF ITEMS 005	
REV. 01 DATE 20.1.94 ALTERED CHECKED		SCALE N.T.S.	
TITLE LAYER WOUND INSULATION ASSY. FOR I.V.T.		WEIGHT (Kg)	
DRAWING NO. 2 492 47 00003		REF. TO ASSY. DRG.	
SHEET NO. 1		NO. OF SHEETS 1	

THE INFORMATION ON THIS DOCUMENT IS THE PROPERTY OF BHARAT HEAVY ELECTRICALS LIMITED. IT MUST NOT BE USED DIRECTLY OR INDIRECTLY IN ANY WAY DETRIMENTAL TO THE INTEREST OF THE COMPANY.