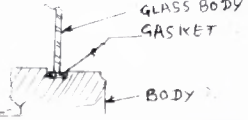
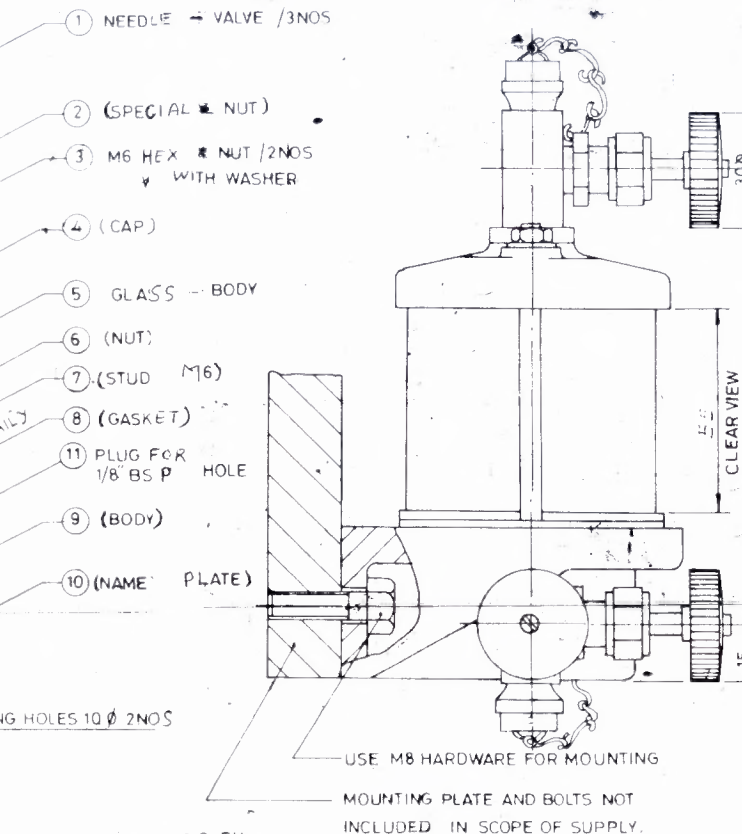
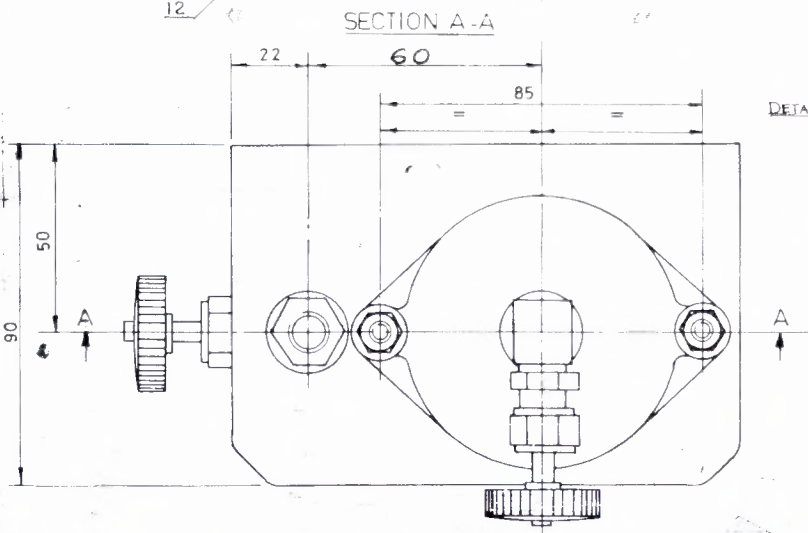
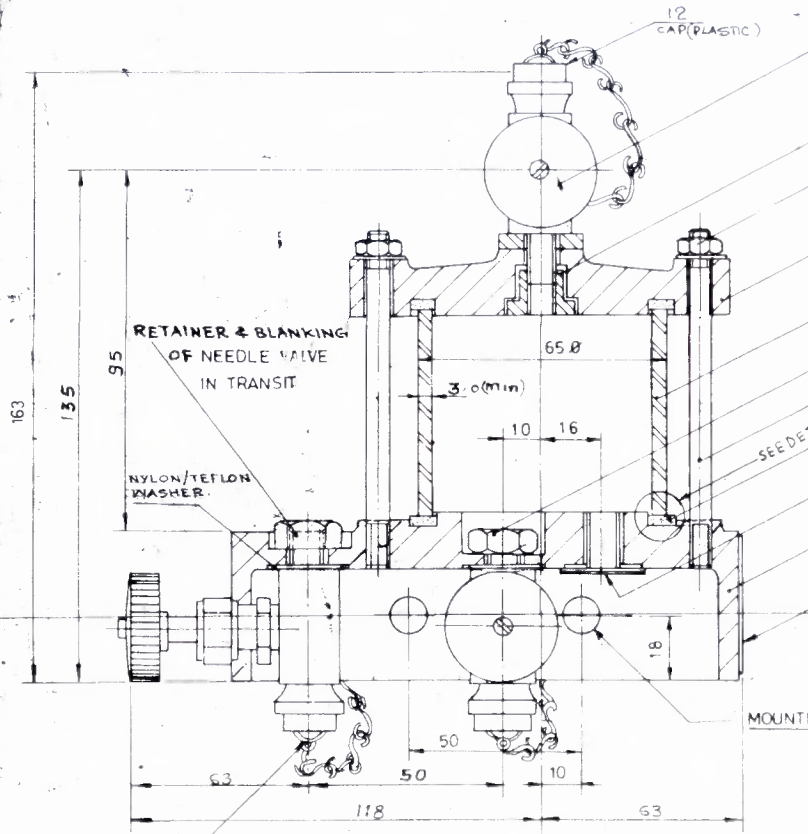


THIS INFORMATION IS THE PROPERTY OF BHARAT HEAVY ELECTRICALS LIMITED. IT MUST NOT BE USED DIRECTLY OR INDIRECTLY IN ANY WAY DETRIMENTAL TO THE INTEREST OF THE COMPANY.



S. No	DESCRIPTION	MAT	QTY	REMARK
1	NEEDLE VALVE 1/8 BSP	BRASS	3	
2	SP NUT 1/8 BSP	BRASS	1	
3	M6 NUT AND WASHER	M.S.	2	ELECTRO PLATED
4	CAP	CASTAL	1	PAINTED
5	GLASS BODY	PYREX GLASS	1	
6	NUT 1/8 BSP	BRASS	1	ELECTRO PLATED
7	STUD M6	M.S.	2	ELECTRO PLATED
8	GASKET	NITRILE RUBBER	2	OIL RESISTANT QUALITY TO BS 2751 Gr. B R-70
9	BODY	CASTAL	2	PAINTED
10	NAME PLATE,	ANODISED ALUMINIUM	1	
11	PLUG	PVC	1	
12	CAP	PLASTIC	4	WITH STEEL CHAIN

- NOTES:-**
- ALL METALLIC PARTS WILL BE PAINTED WITH ONE COAT OF SELF ETCHING PRIMER, TWO COATS OF RED OXIDE ZINC CHROMATE PRIMER & TWO COATS OF FULL GLOSSY FINISHING PAINT OF LIGHT GREY SHADE TO 631 OF I.S. FURTHER INSIDE SURFACE COMING IN CONTACT WITH TRANSFORMER OIL SHALL BE PAINTED WITH TWO COATS OF OIL RESISTANT ENAMEL PAINT OF WHITE/JESMINA YELLOW SHADE.
  - GAS COLLECTING DEVICE SHALL BE SUITABLE FOR HOT TRANSFORMER OIL AT 90°C.
  - WHOLE ASSEMBLY IS TO BE LEAKPROOF AT 0.7KG/CM<sup>2</sup> FOR 1/2 HOUR, WHEN TESTED WITH TRANSFORMER OIL/AIR.
  - ONLY TESTED QUALITY OF GM. PETCOCKS/NEEDLE VALVES SHALL BE USED SO THAT THERE IS NO OIL LEAKAGE IN SERVICE.
  - NAME PLATE IT. 10 SHALL BE MARKED WITH THE FOLLOWING
    - (i) NAME OF SUPPLIER & S.L. NO.
    - (ii) DEVICE FOR COLLECTING GAS FROM BUCHHOLZ RELAY.
  - HARDWARES TO BE ZINC PLATED TO G.F. Zn 12-5 AND PASSIVATED TO TYPE 2 AS PER IS 1573

APPROX WEIGHT 15KG

REV 06	DATE 26/03/19	ALTERED	H.K. MARATHE	DESCRIPTION	ITEM 12 IN DESCRIPTION LIST ALSO MARKED IN REMARK COL. IN REMARK COL. INWARD WITH BRASS NUT ALSO MARKED IN REMARK COL. DELETED
REV 05	DATE 21/12/18	CHECKED	H.K. MARATHE	DESCRIPTION	AGAINST ITEMS - 2 AND 3 BRASS NUT ALSO MARKED IN REMARK COL. A-6 DIM 8mm DELETED
REV 03	DATE 19/03/18	CHECKED	H.K. MARATHE	DESCRIPTION	DIMS RATION - 1/2 INCREASED. NOTES UPDATED. DESCRIPTION, REMARK & MATERIAL UP DATED
REV 07	DATE 04/02/19	CHECKED	H.K. MARATHE	DESCRIPTION	IN FUTURE TIME - DIMENSIONS 63 & 110 WERE 63 & 110 RESPECTLY

001	GAS COLLECTING DEVICE	ST 604553	1.5		
REMARKS	VAR NO	ITEM NO	DESCRIPTION	STD	DRAWING NO

ADDITIONAL INFORMATION: STD

STATUS OF DRAWING: U

DISTRIBUTION OF PRINTS: TRE 1, TRM 3, TCX 1, RHE 1, TA 1, 2

TYPE OF PRODUCT OR NAME OF CUSTOMER/PROJECT: TRANSFORMER.

NAME OF CUSTOMER/PROJECT: BHARAT HEAVY ELECTRICALS LIMITED, BHOPAL

SCALE: 1:1

WEIGHT: 15

TITLE: GAS COLLECTING DEVICE

DRAWING NO: 2499510005

INVENTORY NO. F 12-201-1 SIGN & DATE REF. DRG.