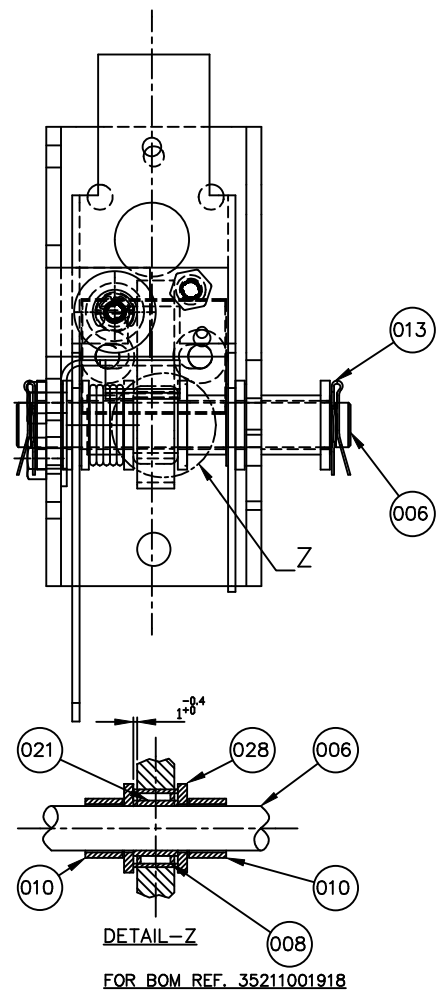
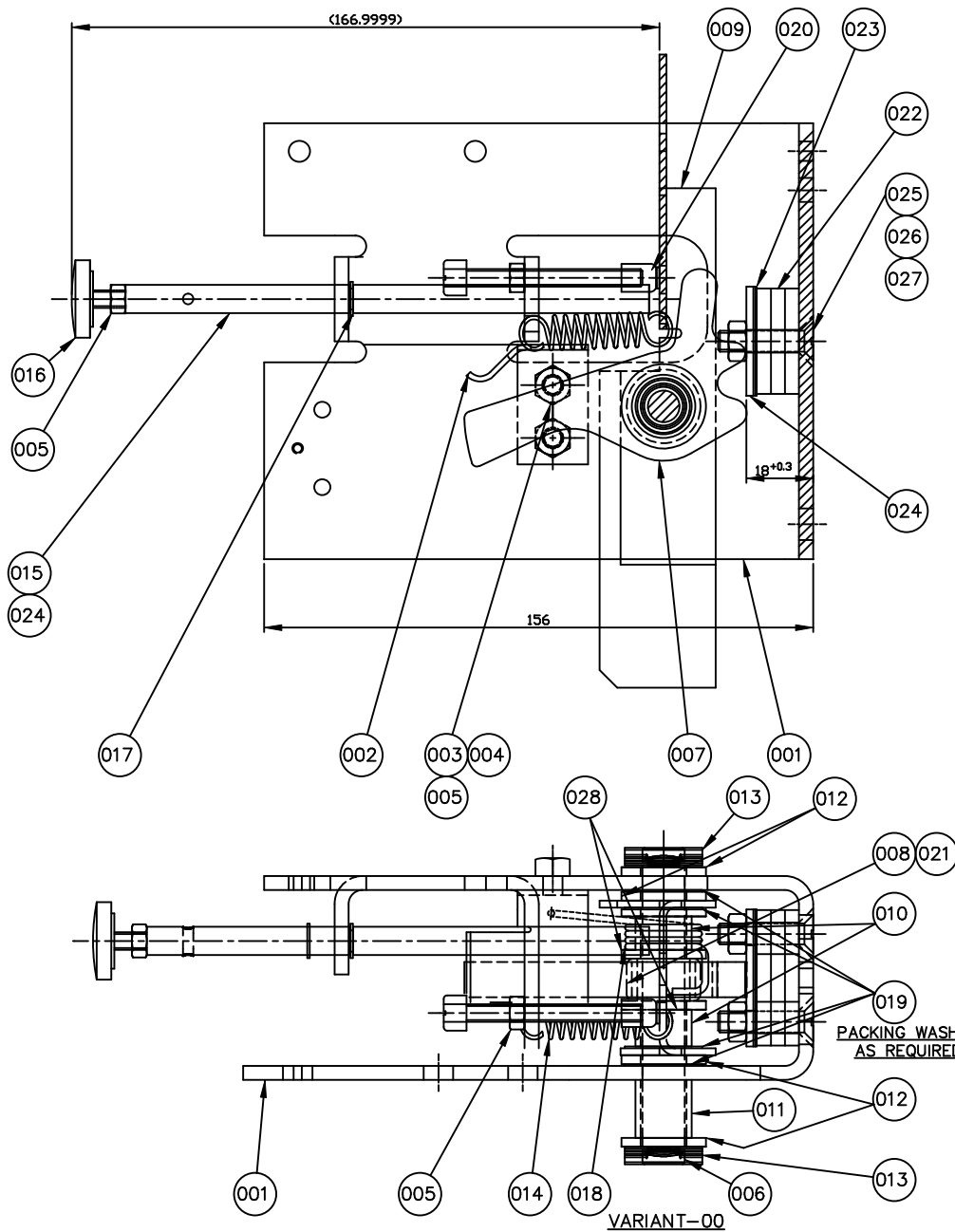


THE INFORMATION ON THIS DOCUMENT IS THE PROPERTY OF BHARAT HEAVY ELECTRICALS LIMITED. IT MUST NOT BE USED DIRECTLY OR INDIRECTLY IN ANY WAY DETRIMENTAL TO THE INTEREST OF THE COMPANY.



VAR ID	REMARKS	VAR NO.	ITEM NO.	DESCRIPTION	ST.D.	DRAWING NO.	IT.ND	MATL. CODE	A	C	UNIT	UNIT WT.	QTY.	ZONE

ADDITIONAL INFORMATION STATUS OF DRAWING DISTRIBUTION OF PRINTS -1		उत्पाद का प्रकार या ग्राहक/परियोजना का नाम TYPE OF PRODUCT OR NAME OF CUSTOMER/PROJECT V.C.B.	
REV. DATE ALTERED CHECKED APPROVED		REV. DATE ALTERED CHECKED APPROVED	
डिप्ट. कोड AA 0230208		अक्षर (SCALE) N.T.S.	
नाम/NAME AKN Sd/- 16.11.11		कर्मचारी/EMPLOYEE AKHIL Sd/- 16.11.11	
भारत हेवी इलेक्ट्रिकल्स लिमिटेड BHARAT HEAVY ELECTRICALS LTD. BHOPAL		असेम्बली का संदर्भ REF. TO ASSY. DRG.	
ड्रॉइंग नं./DRAWING NO. 2 521 10 01655		शीट नं./SHEET NO. 01	

INVENTORY NO. SIGN AND DATE REF. DRG. NO. 52110-25211001546-R05-S01