

THE INFORMATION ON THIS DOCUMENT IS THE PROPERTY OF BHARAT HEAVY ELECTRICALS LIMITED. IT MUST NOT BE USED DIRECTLY OR INDIRECTLY IN ANY WAY DETRIMENTAL TO THE INTEREST OF THE COMPANY.

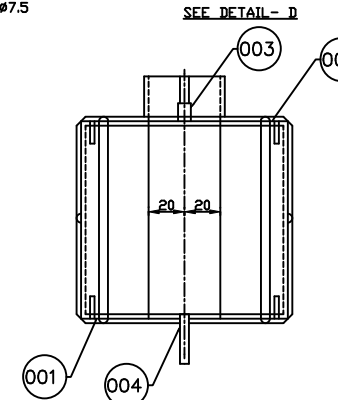
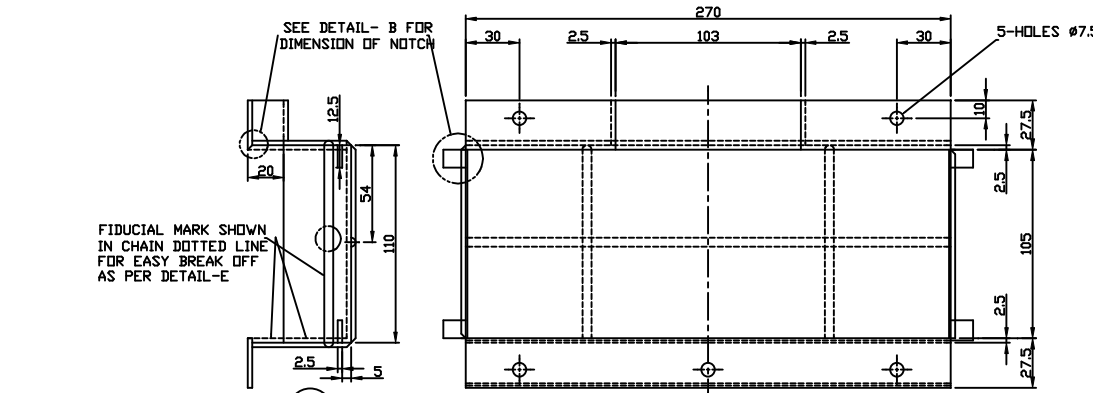
UNSPECIFIED TOLERANCE SHALL BE ±0.3

MATERIAL: -
GRADE GF20HFR(BLACK V-0), GSFC MAKE

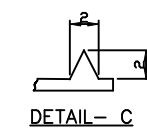
NOTES: -
1. ALL CORNERS SHALL BE ROUNDED OFF.

PACKING: -
SUPPLIER SHALL ASSEMBLE AND PACK IN POLYTHENE BEFORE DISPATCH.

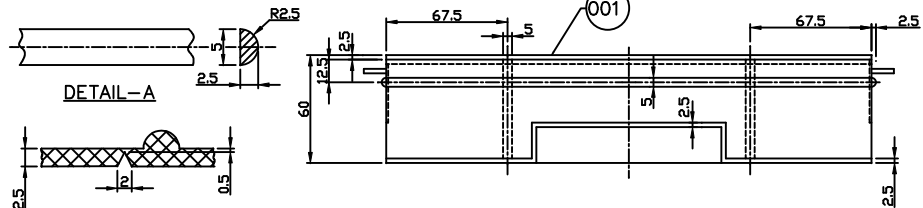
VAR.00 FOR-2-12x100W BUS BAR & 2-12x100W DROPPER.
VAR.01 FOR-2-12x200W BUS BAR & 2-12x100W DROPPER.
IT.005-WITH 1/2-12x75 BUS BAR.
IT.006-WITH 1/2-12x150 BUS BAR.
IT.007- FOR "L" CONN. WITH VAR.00.
IT.008- FOR "L" CONN. WITH VAR.01.



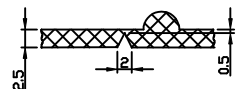
VAR. 00



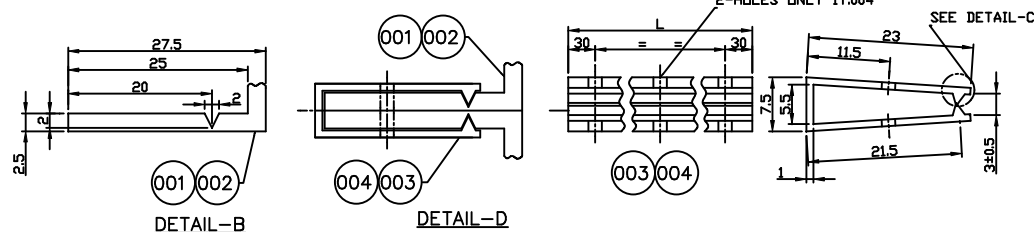
DETAIL - C



DETAIL - A

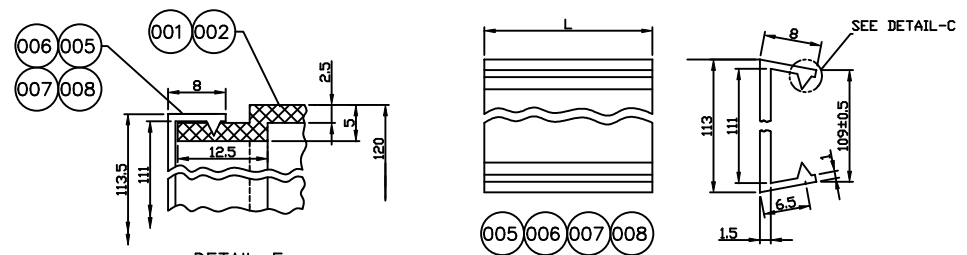


DETAIL - E



DETAIL - B

DETAIL - D



DETAIL - E

VAR./IT.	STYLE NO.	GES NO.	DIM "L"
00	BP9069467151	409860003	-
01	BP9069467160	409860004	-
003	-	-	80
004	-	-	270
005	BP9069468328	409860143	12.5
006	BP9069468336	409860144	25
007	BP9069468344	409860145	105
008	BP9069468352	409860146	205

VAR01	VAR00	REMARKS	VAR. NO.	ITEM NO.	DESCRIPTION	STD	DRAWING NO.	IT. NO.	MATL. CODE	MATL. SPCN.	UNIT WT.	QTY.	ZONE
			008	COMP. COVER 206LG. FOR L CONN.					BP9069468352				
									SG12719				
			007	COMP. COVER 106LG. FOR L CONN.					BP9069468344				
									SG12719				
			006	COMPRESSION COVER 25 LG.					BP9069468336				
									SG12719				
			005	COMPRESSION COVER 12.					BP9069468328				
									SG12719				
001	001		004	COMPRESSION STRIP					BP9099109016		0.022		
									SG12719				
002	002		003	COMPRESSION STRIP (00LG.)					BP9099109008		0.006		
									SG12719				
002			002	SHROUD 2-12X100B. B/2-12X100					BP9069110008		0.481		
									SG12719				
	002		001	SHROUD 2-12X100B. B/2-12X100 D					BP9069109999		0.284		
									SG12719				

ADDITIONAL INFORMATION

STATUS OF DRAWING

DISTRIBUTION OF PRINTS

O.COPY-----1
SWM-----3
TCX-----1

3 उत्पाद का प्रकार या ग्राहक/परियोजना का नाम
TYPE OF PRODUCT OR NAME OF CUSTOMER/PROJECT

भारत हेवी इलेक्ट्रिकल्स लिमिटेड
BHARAT HEAVY ELECTRICALS LTD. BHOPAL

क्रमांक/ITEM	नाम/NAME	हस्ता/SIGN	दिनांक/DATE	विवरण/REMARKS
01	K.S.M	Sd/-	12.03.96	
02	M.S.B	Sd/-	12.03.96	
03	M.K.S/R.K.J	Sd/-	12.03.96	

भारत हेवी इलेक्ट्रिकल्स लिमिटेड
BHARAT HEAVY ELECTRICALS LTD. BHOPAL

जुलुपात (SCALE) 1:1
भार (वजन) (WEIGHT) 1:1

कुर्क ग का/DRIVING NO. 25216601555
पुन. रिव. NO. 08

REV.	DATE	ALTERED	Sd/-	REV.	DATE	ALTERED	Sd/-	REV.	DATE	ALTERED	Sd/-	REV.	DATE	ALTERED	Sd/-	REV.	DATE	ALTERED	Sd/-	REV.	DATE	ALTERED	Sd/-	
07	05.05.12	CHECKED APPROVED	Sd/-	06	21.01.03	CHECKED APPROVED	Sd/-	05				04	08.03.99	CHECKED APPROVED	Sd/-	08	09.05.12	CHECKED APPROVED	Sd/-					

MAT. HAS BEEN CHANGED FROM GLASS FIBRE RE-INFORCED NYLON TYPE TO GRADE GF20HFR(BLACK V-0), GSFC MAKE (DCA. NO. 31043)

DRG. REDRAWN. SHT. 02 ADDED, AND V00 & V01 MADE TO SCALE (DCA. NO. 12501)

DRG. REDRAWN. (DCA. NO.)

WEIGHT FOR ITEMS 001,002, 003 & 004 WERE 0.306,0.488, 0.002 & 0.009 RESPECTIVELY. (DCA. NO.- 9883)

DRG. MODIFIED. (DCA. NO.- 31048)

INVENTORY NO. 25216601555-01

SIGN AND DATE REF. DRG. NO.