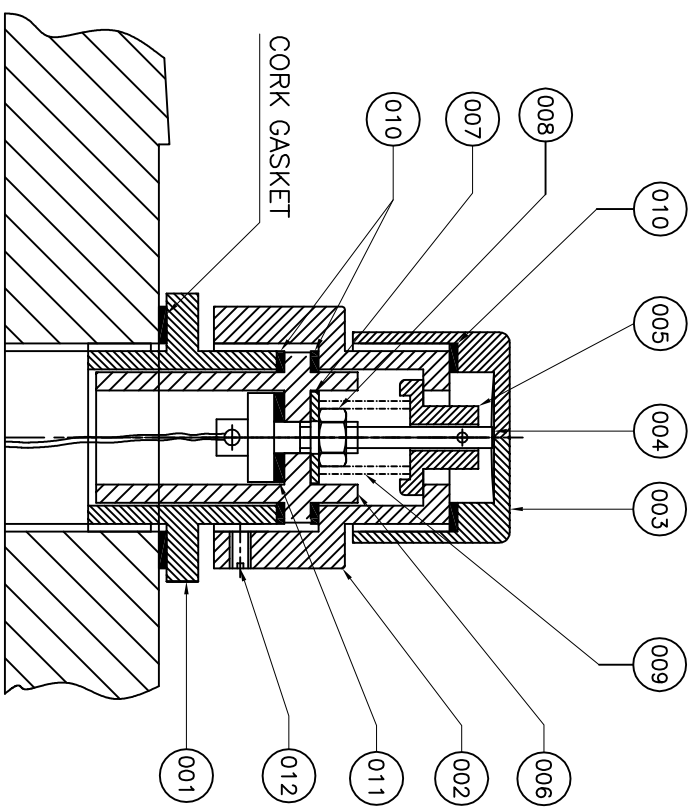
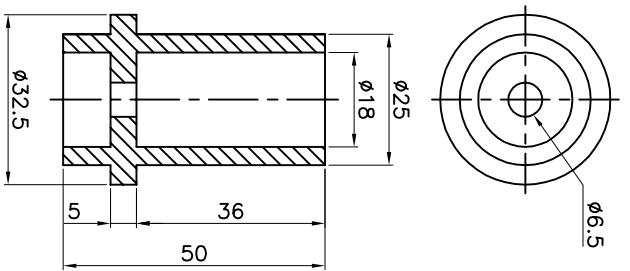


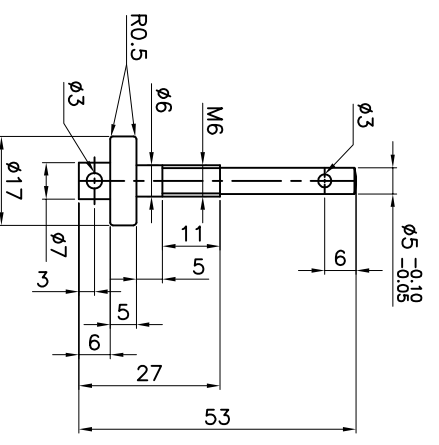
DRG.NO. 25380401089



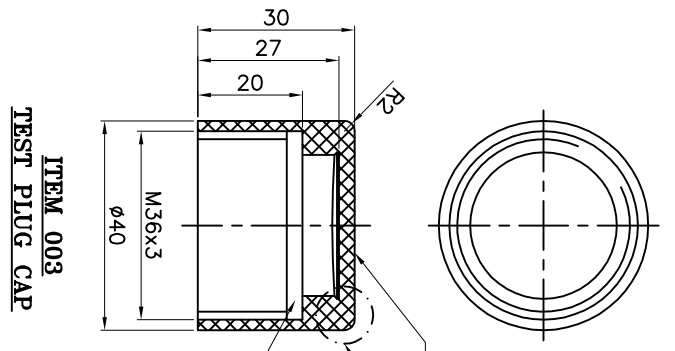
TEST TAP ASSEMBLY



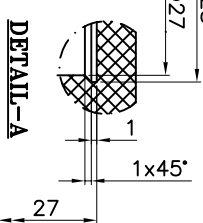
ITEM 006
INSULATOR



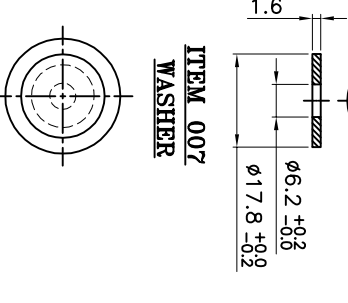
ITEM 004
TERMINAL STUD



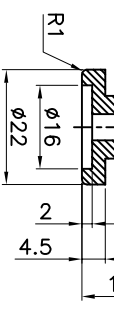
ITEM 003
TEST PLUG CAP



DETAIL-A

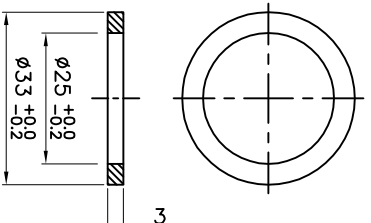
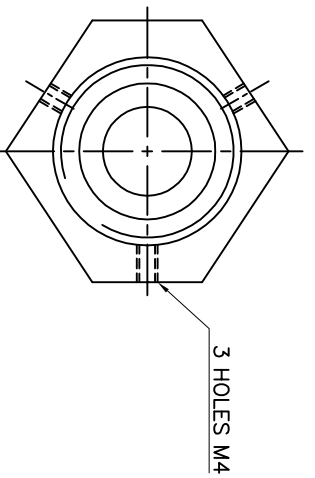
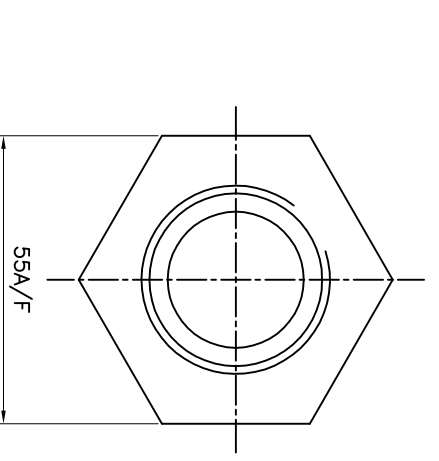


ITEM 007
WASHER

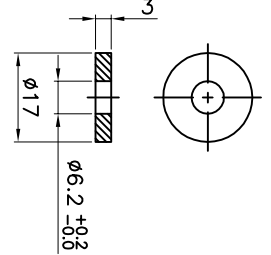


ITEM 005
CONTACT PLUG

- FINISH:-**
ELECTRO-PLATED COATING OF TIN (ET) GRADE SN-15-C OF IS:1359
LOCAL TKS. 15 MICRONS (MIN) FOR ITEMS 004,005,007&009 ONLY.
- NOTES:-**
1. MACHINING TOLERANCE ± 0.10 TO ± 0.20 UNLESS SHOWN OTHERWISE.
2. THREAD : PITCH COARSE TO LATEST REV. OF IS:4218 (PART-IV)
TOLERANCE QUALITY MEDIUM CLASS 6g & 6h.

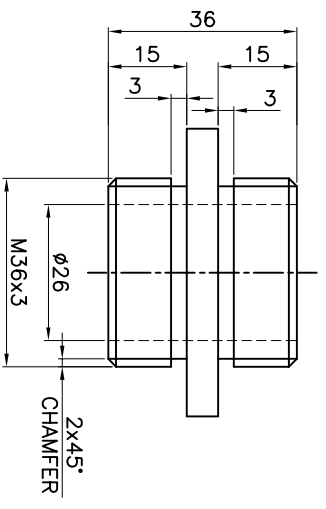


ITEM 010
WASHER (N.RUBBER)

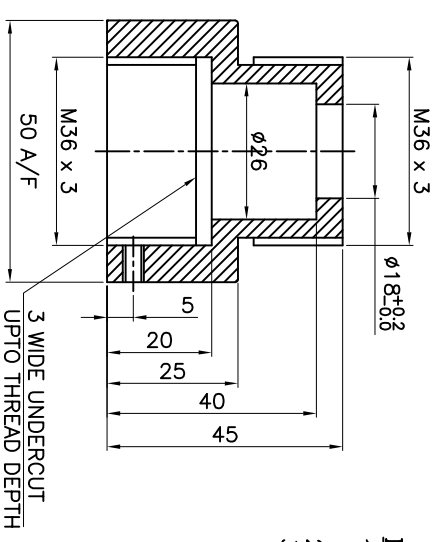


ITEM 011
WASHER (N.RUBBER)

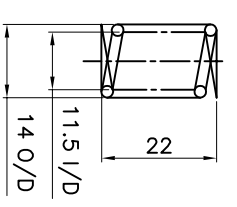
- ITEM 010&011:-**
1. MATERIAL MUST BE NITRILE RUBBER RESISTANT TO WEATHER AND TRANSFORMER OIL.
2. RUBBER MUST BE 100% RESISTANT TO OIL.
3. HARDNESS : 80 TO 85 (IRHD).



ITEM 001
FERRULE



ITEM 002
SEALING COVER



ITEM 009
SPRING

- ITEM 009:-**
OUTSIDE DIA. OF SPRING - 14 ± 0.5
WIRE DIA. - 1.219
FREE LENGTH - 22 ± 0.5
COMPRESSED LENGTH - 10
SCALE - 1.9 Kg/cm.

ITEM NO.	DESCRIPTION	QTY.	UNIT	WT.	FINISH	REMARKS
003	SCRU SET SOC. CP.	3	KG	0.003	AM4x6-45H	
001	WASHER OIL RES. NITRILE RUBBER	1	KG	0.001	AA 59806	
002	WASHER OIL RES. NITRILE RUBBER	3	KG	0.002	AA 59806	
005	SPRING $\phi 1.219$ STN. ST. SPRING WIRE	1	KG	0.005	BP 10568	
003	NUT HEX. PM6 BR/R36	-	KG	0.003	AA 715113013	
005	WASHER $\phi 16 \times 1.6$ LG. NYLON ROD	1	KG	0.010	AA 12114	
006	INSULATOR $\phi 32.5 \times 50$ LG. NYLON ROD	1	KG	0.040	BP 22962	
005	CONTACT PLUG $\phi 22 \times 15$ LG. BRASS ROD	1	KG	0.040	AA 1210214067	
004	TERMINAL STUD $\phi 20 \times 53$ LG. BRASS ROD	1	KG	0.200	AA 12114	
003	TEST PLUG CAP $\phi 40 \times 30$ LG. AL. ALLOY ROD	1	KG	0.110	AA 12114	
001	SEALING COVER 50 A/Fx45 LG. BR. BAR	1	KG	0.830	AA 12114	
001	FERRULE 55A/Fx36LG. BRASS BAR	1	KG	0.740	AA 12114	

REF.	DATE	AUTHOR	CHECKED	APPROVED	ZONE	REVISIONS
01	16.07.11					REVIEWED & MODIFIED.

ITEM NO.	DESCRIPTION	QTY.	UNIT	WT.	FINISH	REMARKS
001	SEALING COVER	1	KG	0.830	AA 12114	
002	FERRULE	1	KG	0.740	AA 12114	

SIGN. DATE REF. DRG. NO.

THE INFORMATION ON THIS DOCUMENT IS THE PROPERTY OF BHARAT HEAVY ELECTRICALS LIMITED. IT MUST NOT BE USED DIRECTLY OR INDIRECTLY IN ANY WAY DETRIMENTAL TO THE INTEREST OF THE COMPANY.

STYLE	ITEM INCLUDED	DESCRIPTION OR REMARKS	RECORDED
ST 950537	VAR. 00	TEST TAP ASSEMBLY	SIGN. DATE

STYLE LIST	DESCRIPTION OR REMARKS	RECORDED
ST 950537	TEST TAP ASSEMBLY	SIGN. DATE

REF.	DATE	AUTHOR	CHECKED	APPROVED	ZONE	REVISIONS
01	16.07.11					REVIEWED & MODIFIED.

ITEM NO.	DESCRIPTION	QTY.	UNIT	WT.	FINISH	REMARKS
001	SEALING COVER	1	KG	0.830	AA 12114	
002	FERRULE	1	KG	0.740	AA 12114	

SIGN. DATE REF. DRG. NO.

THE INFORMATION ON THIS DOCUMENT IS THE PROPERTY OF BHARAT HEAVY ELECTRICALS LIMITED. IT MUST NOT BE USED DIRECTLY OR INDIRECTLY IN ANY WAY DETRIMENTAL TO THE INTEREST OF THE COMPANY.