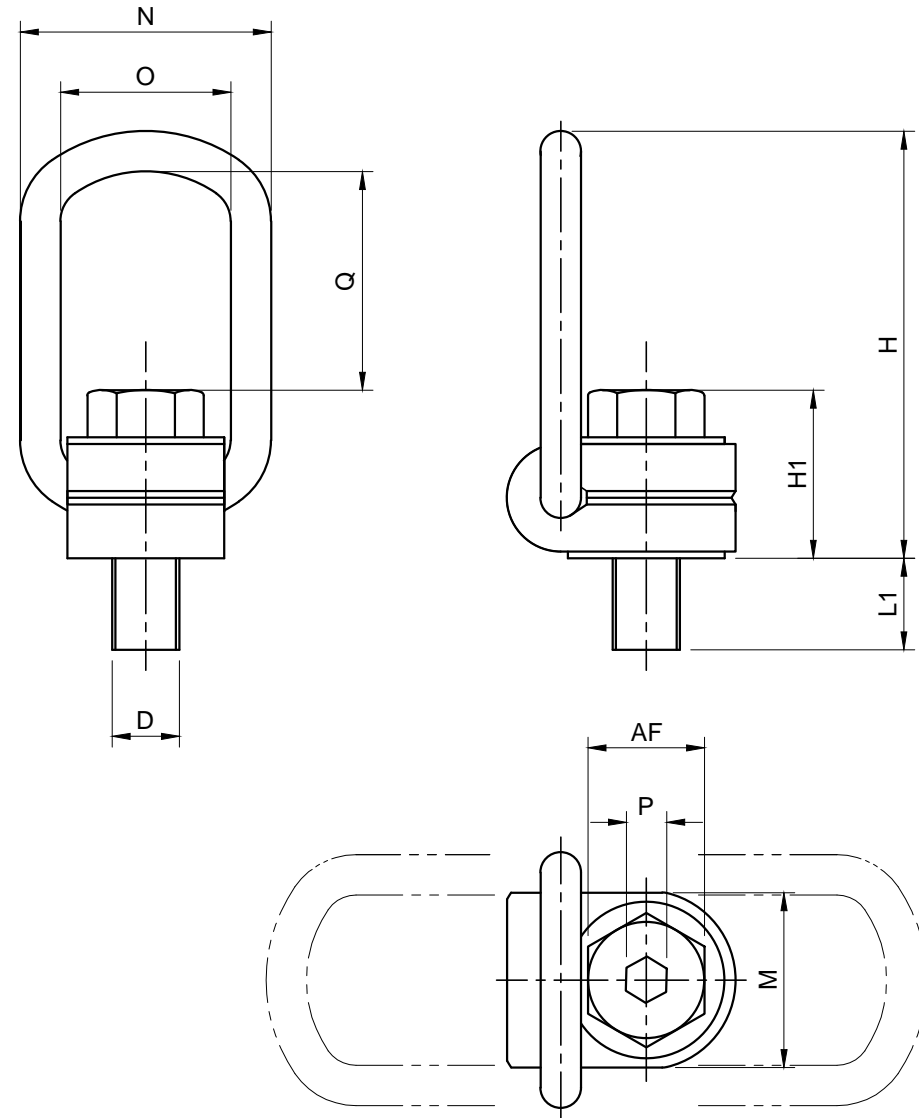


FIRST ANGLE PROJECTION

(ALL DIMENSIONS ARE IN mm.)

DRG.NO. 3 402 11 40 614



DIMENSIONING TABLE

SR. NO.	TYPE (D)	WLL (TON)	WEIGHT (KG.)	M	N	O	H1	Q	L1	P	AF	H	TORQUE
1	M20	2.5	1.1-1.5	*	*	*	45-55	55	30-32	12	30	110-125	250Nm
2	M24	4	1.5-2.0	*	*	*	58-62	67	36-38	14	36	140-150	400Nm
3	M30	5	3-3.5	*	*	*	60-80	67	45-50	17	46	150-170	500Nm
4	M36	7	3.5-7.5	*	*	*	72-80	70	52-54	22	55	165-175	700Nm

TECHNICAL REQUIREMENTS:-

- LOAD RING MUST BE ROTATABLE 360° WHEN INSTALLED.
- SUITABLE FOR LIFTING LARGE A.C. MOTORS HAVING CAST IRON BODY WITH WLL AS PER TABLE.
- LOAD RING MUST BE SUITABLE TO WORK UNDER TEMPERATURE LIMITS OF -20° TO 150°.
- 100% CRACK TESTED BOLTS WITH MINIMUM QUALITY 10.9 TO BE USED.
- MATERIAL SHOULD BE ALLOY STEEL, HEAT TREATED.
- LOAD RING SHOULD BE PROOF TESTED TO 200% RATED HOIST CAPACITY.
- ALL ITEMS SHOULD BE MAGNETIC PARTICLE INSPECTED.
- DIMENSION M,N & O AS PER SUPPLIER'S DESIGN.

THE INFORMATION ON THIS DOCUMENT IS THE PROPERTY OF BHARAT HEAVY ELECTRICALS LIMITED IT MUST NOT BE USED DIRECTLY OR INDIRECTLY IN ANY WAY DETRIMENTAL TO THE INTEREST OF THE COMPANY.

REF. DRG. NO. SIGN & DATE INVENTORY NO.

ADDITIONAL INFORMATION ENQUIRY		TYPE OF PRODUCT H- COMPACT																			
STATUS OF DRAWING		NAME OF CUSTOMER BHARAT HEAVY ELECTRICALS LTD.																			
DISTRIBUTION OF PRINTS AME-1 TEX (IMM)-1 IMM-3 TFX -1		NAME OF PROJECT BHOPAL																			
REV. DATE		ALTERED		REV. DATE		ALTERED		DEPT.		GRADE OF		SCALE		WEIGHT		REF. TO ASSY. DRG.		ITEM		NO. OF	
ZONE		CHECKED		ZONE		CHECKED		CODE		UN. TOL.		NTS		(Kg.)				NO.		ITEMS	
		APPROVED.				APPROVED.				DIM. C/M/F								75 77			
																		7 22		23 24	
																		DRAWING NO.		REV	
																		3 402 11 40 614		00	
																		SHEET NO. 01		NO. OF SHEETS 01	

LOAD RING

3 402 11 40 614