

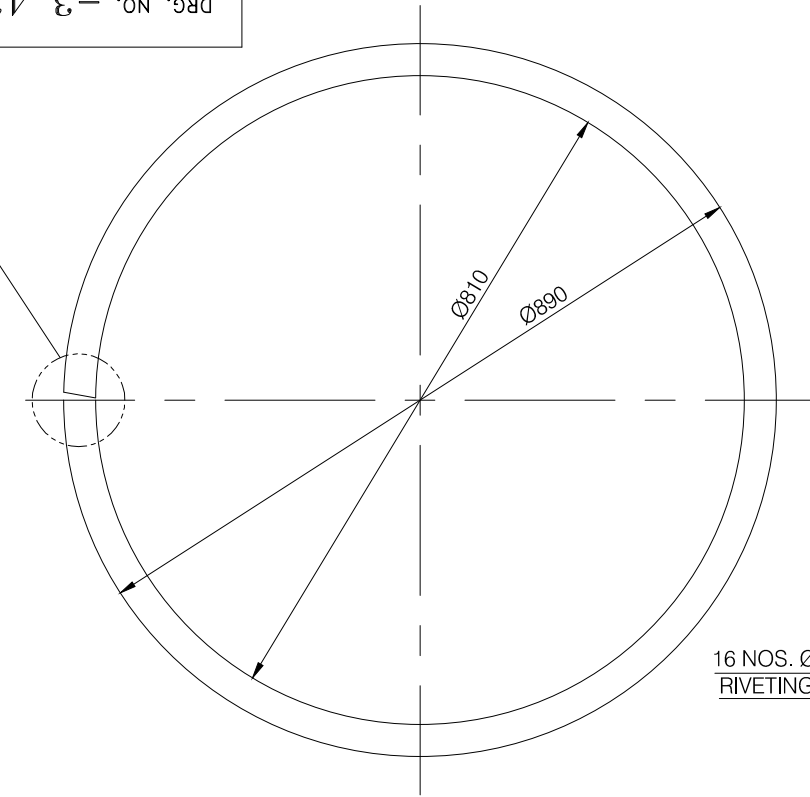
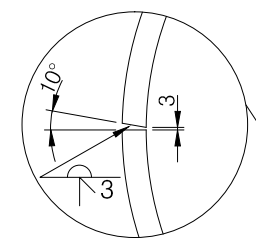
THE INFORMATION ON THIS DOCUMENT IS THE PROPERTY OF BHARAT HEAVY ELECTRICALS LIMITED IT MUST NOT BE USED DIRECTLY OR INDIRECTLY IN ANY WAY DETRIMENTAL TO THE INTEREST OF THE COMPANY

FIRST ANGLE PROJECTION

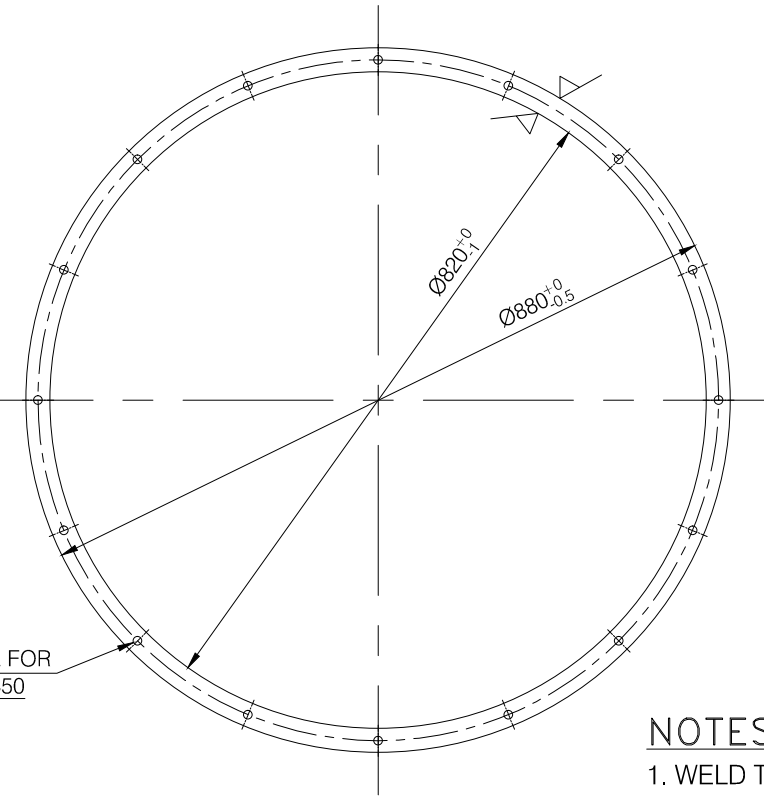
(ALL DIMENSIONS ARE IN mm)

DRG. NO. - 3 430 45 79 007

TOOL LIST		
IT.NO.	TOOL NO.	DESCRIPTION
	1606227	MOT FOR 16 x Ø10.8 x PCD 850

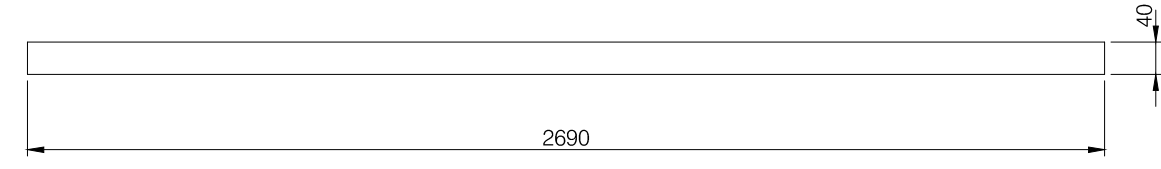


FABRICATED



5THK.
MACHINED

16 NOS. Ø10.8 HOLE FOR RIVETING ON PCD 850



NOTES:-

1. WELD TO BE ROUND AND FREE POROSITY & CRACKES.
2. WELDING OF UNSPECIFIED TOLERANCE TO AA062114 GR. 'A' & AA 062115 GR 'E' UNLESS OTHERWISE SPECIFIED.

-		001		PLATE 5TK. X40X2690 DEV. LG.		AA10108		KG		4.22													
59	64	65	75	78	79	25	27	29	58	59	60	77	29	31	34	45	55	56	57	58	65	72	
VAR00		REMARKS		VAR. NO.		ITEM NO.		DESCRIPTION		STD		DRAWING NO.		IT.NO.		MATL. CODE		A		UNIT WT.		ZONE	
														32		46		C		68		QTY.	

ADDITIONAL INFORMATION				उत्पाद का प्रकार या ग्राहक/परियोजना का नाम TYPE OF PRODUCT OR NAME OF CUSTOMER/PROJECT				TA9903AZ 2MW, 11 KV 750 RPM DIESEL ALTERNATOR (M/s MPEEIA, UNION OF COMOROS)											
STATUS OF DRAWING				DISTRIBUTION OF PRINTS				भारत हेवी इलेक्ट्रिकल्स लिमिटेड भोपाल BHARAT HEAVY ELECTRICALS LTD. BHOPAL											
TME -1 TNX -1 TAM -4				विभाग DEPT TME अन. टोल. नाप की श्रेणी UNTOL.DIMS. GR. AA0230208 कोड CODE 405				नाम/ NAME VIJAY हस्ता/ SIGN दिनांक/ DATE 01.06.16 चेका/CHKD NEERAJ अनुमोदित/APPD NEERAJ दिनांक/ DATE 01.06.16											
REV. DATE		ALTERED		REV. DATE		ALTERED		विवरण/DEPT		अनुपात/SCALE		भार/वज़./WEIGHT (K.G.)		उसे. ड्राइंग का संदर्भ/REF. TO ASSY. DRG.		मद. क्र./ITEM NO.		मद. संख्या/NO. OF ITEM	
		CHECKED		01		CHECKED		TME		NTS		4.22		34304579001		003		001	
		APPROVED				APPROVED		कोड CODE		प्लेट/SCALE				अरेख क्रं./DRAWING NO.				पुन./REV	
								TOOL LIST ADDED.		PLATE				3 430 45 79 007				01	
														पृष्ठ क्रं./SHT.No. 01				पृष्ठों की संख्या/ NO. OF SHT. 01	