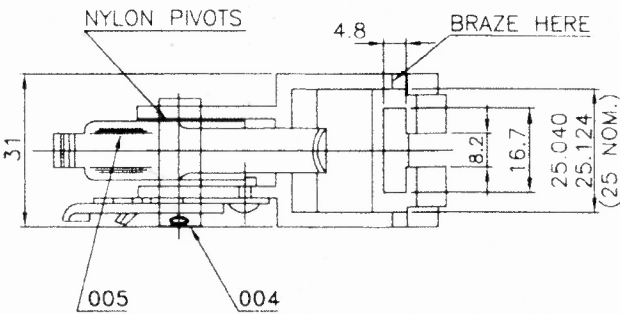
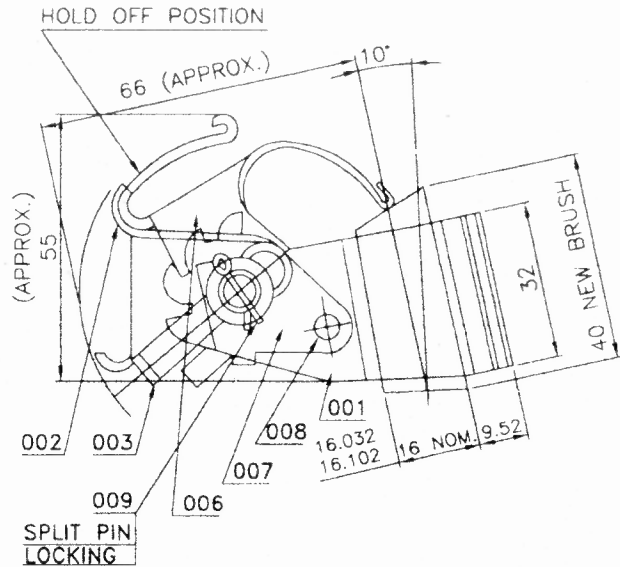


THE INFORMATION ON THIS DOCUMENT IS THE PROPERTY OF BHARAT HEAVY ELECTRICALS LIMITED. IT MUST NOT BE USED DIRECTLY OR INDIRECTLY IN ANY WAY DETRIMENTAL TO THE INTEREST OF THE COMPANY.

DRAWING NO. 34332022001



STYLE LIST		
VAR.	IT. NO.	STYLE NO.
00	-	BP9094585235

NOTES:-

1. PRESSURE ON NEW BRUSH POSITION TO BE ADJUSTED TO FIRST NOTCH 840 GM.±10% (TO BE MEASURED AS PER IEC-1015).
2. PRESSURE ON FIFTH NOTCH, NEW BRUSH POSITION 1266 GM.±10% (FOR REFERENCE).
3. ITEM NO. 3,4,6,7,8,9 TO BE ZINC PLATTED AND PASSIVATED YELLOW TO AA0673603 & AA0673604 WITH PLATING THICKNESS 0.013 MM TO 0.015 MM.
4. HARDNESS OF SPRING (ITEM NO. 2) 40-45 ROCK WELL.
5. BODY IT. 001 TO HAVE BRASS FINISH.
6. BRUSH HOLDER ASSY. IS BOUGHT OUT ITEM.

VAR. NO.	REMARKS	VAR. NO.	ITEM NO.	DESCRIPTION	STD.	DRAWING NO.	IT. NO.	MATL. CODE.	A	UNIT	UNIT WT.	GS
VAR.							VAR	MATL. SPCN.	C		QTY.	
001		009		SPLIT PIN	1			AA 7171089	NA	Kg		
001		008		RIVET	1			AA 12114	NA	Kg		
001		007		RATCHET	1			AA 10115	NA	Kg		
001		006		PRESSURE FLINGER	1			AA 10115	NA	Kg		
002		005		BUSH NYLON GRADE 66	1				NA	Kg		
001		004		BARREL	1			AA 12114	NA	Kg		
001		003		ADJUSTING LEVER	1			AA 10115	NA	Kg		
001		002		SPRING STAINLESS STEEL				AISI 304	NA	Kg		
001		001		BODY				BRASS IS: 1264-1997 GR. DCB-1/DCB-2	NA	Kg	0.160	

ADDITIONAL INFORMATION		TYPE OF PRODUCT OR NAME OF CUSTOMER/PROJECT		AG-3101 AZ/AY-1	
STATUS OF DRAWING		DISTRIBUTION OF PRINTS		BHARAT HEAVY ELECTRICALS LTD. BHPAL	
TME - 1 TAM - 4 TNX - 1		DRN. VRD CKD. AGB APPD. PGS		NAME SD/- SIGN. SD/- DATE 11.04.98 DATE 11.04.98 DATE 08.05.98	
REV. DATE 06 22-3-11 APPROVED [Signature]		REV. DATE 05 13-2-09 APPROVED [Signature]		DEPT. TME GRADE OF UNTOL. DMS. GR. F SCALE 1:1 WEIGHT (K.G.) - REF. TO ASSY. 14332022001 ITEM NO. 003 NO. OF ITEM 009	
MAT. SPCN. FOR IT. 001 WAS BRASS IS 1264 1981 GR. DCB-1		DRG. REDRAWN & UPDATED		TITLE BRUSH HOLDER DRAWING NO. 34332022001 SHT NO 01 NO. OF SHT. 01	