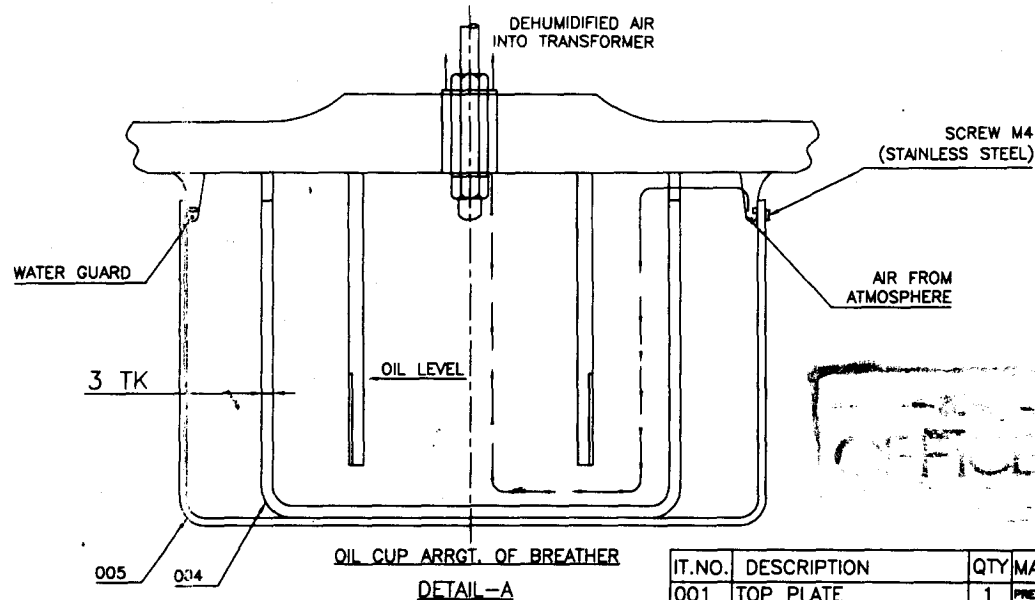
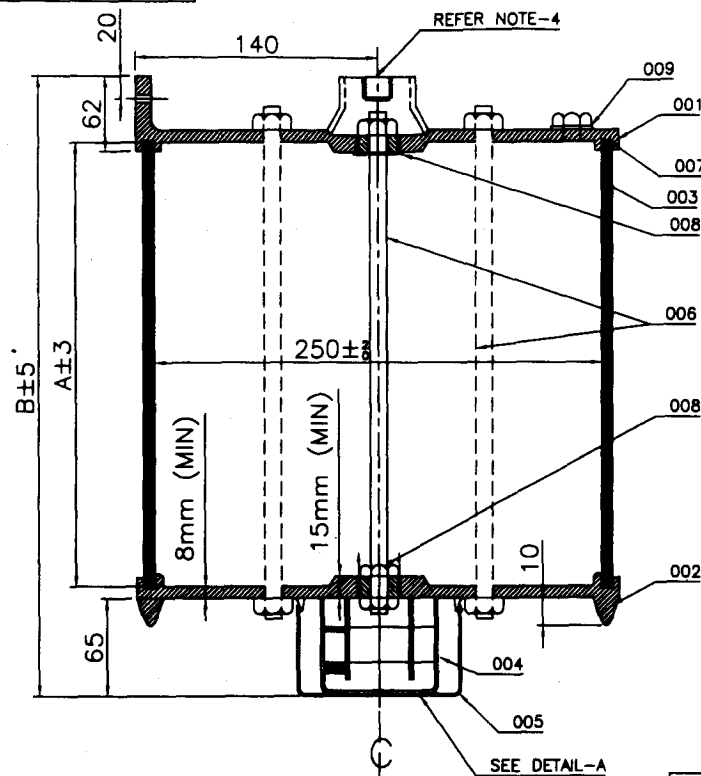


(ALL DIMENSIONS ARE IN mm)

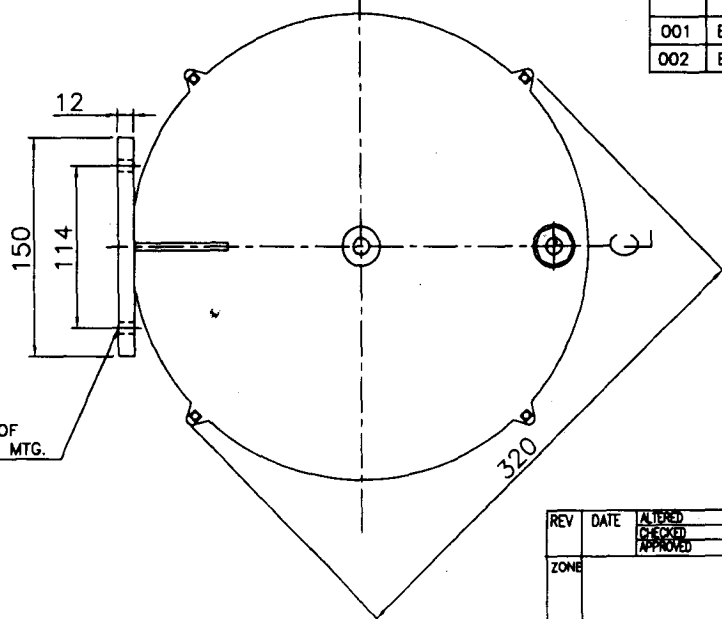
DRG. NO. 3 499 00 00051

THE INFORMATION ON THIS DOCUMENT IS THE PROPERTY OF BHARAT HEAVY ELECTRICALS LIMITED. IT MUST NOT BE USED DIRECTLY OR INDIRECTLY IN ANY WAY DETRIMENTAL TO THE INTEREST OF THE COMPANY.



| SL.NO. | STYLE NO. | A | B | GEL.QTY IN GGS | WT. WITH-OUT GEL | REMARKS |
|--------|--------------|-----|-----|----------------|------------------|---------|
| 001 | BP9096046340 | 300 | 435 | 10.00 | 6.00 KG | - |
| 002 | BP9096046358 | 500 | 635 | 15.00 | 6.50 KG | - |

| IT.NO. | DESCRIPTION | QTY | MATERIAL |
|--------|--|-----|--|
| 001 | TOP PLATE | 1 | PRESSURE DIE CASTED |
| 002 | BOTTOM PLATE | 1 | PRESSURE DIE CASTED |
| 003 | BREATHER BODY | 1 | TRANSPARENT POLYCARBONATE TUBE PER I.S. 202 |
| 004 | OIL CUP | 1 | TRANSPARENT POLYCARBONATE |
| 005 | OIL CUP CLIP | 1 | STAINLESS STEEL |
| 006 | TIE ROD (Ø8.0 mm) | 5 | STAINLESS STEEL |
| 007 | RUBBER RING GASKET | 2 | NITRILE RUBBER TO GR 84-70 SFT. & MOLDING /BB-2781 |
| 008 | PERFORATED SHEET | 2 | ALUMINIUM/BRASS |
| 009 | SILICA GEL FILLING PLUG 1" BSP WITH SEALING WASHER | 1 | PRESSURE DIE CASTED |



TESTING :-

BREATHER SHALL BE SUITABLY BLANKED & PRESSURE TESTED WITH AIR AT 0.35 kg./sq. cm. FOR 30 MINUTES. THERE SHALL NOT BE ANY LEAKAGE FROM GASKETTED JOINTS.

NOTES :-

- BREATHERS ARE TO BE SUPPLIED WITHOUT SILICA GEL.
- BREATHER BODY (POLYCARBONATE TUBE) SHALL BE WITHOUT JOINT.
- SPRING STEEL WASHER SHALL BE PROVIDED WITH CENTRAL & OTHER FOUR TIE RODS.
- 1/2 B.S.P. HELICOIL STEEL THREAD INSERT 25mm DEEP SHALL BE PROVIDED AT THE TO
- ALL HARDWARES TO BE MADE OF STAINLESS STEEL.
- TOP, BOTTOM ALUMINIUM PART AND GEL FILLING PLUG SHALL BE POWDER COATED WITH PURE POLYESTER POWDER OF LIGHT GREY SHADE 631 OF IS-5
- A METALLIC LABEL INDICATING MANUFACTURERS NAME SL. NO. GEL CAPACITY ETC. SHALL BE PROVIDED AT A SUITABLE PLACE.

| | | | |
|---|---|---|--|
| ADDITIONAL INFORMATION STANDARD STATUS OF DRAWING U DISTRIBUTION OF PRINTS TRE-1 TRM-3 TRM(QC)-1 TRX-1 JHS-1 | | 3 पंजाब का फूलक वा याहक / परियोजना का नाम TYPE OF PRODUCT OR NAME OF CUSTOMER/PROJECT TRANSFORMER भारत हे वा इलेक्ट्रिकल्स लिमिटेड भोपाळ BHARAT HEAVY ELECTRICALS LTD. BHOPAL | |
| नाम P.M.PATIL B.S.BONDE S.N.A. | नाम ए.एस.एन. ए.एस.एन. ए.एस.एन. | दि.सं. 13.10.93 13.10.93 05.11.93 | दि.सं. 13.10.93 13.10.93 05.11.93 |
| REV DATE ALTERED CHECKED APPROVED 06 23.09.09 | | REV DATE ALTERED P.K.C. CHECKED A.D. APPROVED A.D. 06 23.09.09 | |
| ZONE DRG. NOTES UPDATED | | SCALE 3:1 भारीपत्र / TITLE BREATHER (SILICA GEL TYPE) WITH OIL CUP. | |
| DRAWING NO. 3 499 00 00051 | | ड्रॉ. रिव. नं. 08 | |

INVENTORY NO. REF. DRG. NO. SIGN. DATE