

BHARAT HEAVY ELECTRICALS LTD. BHOPAL
SWITCHGEAR ENGINEERING DIVISION
PHONE NO. : 0755-2505699 Fax No. : 0755-2500886

Call for Expression of Interest (EOI) for the Supply of
VT for plug in System for 36kV GIS

EOI NO. : SWE/RPD/GIS/AK/001

Date: 20/02/2015

BHEL is manufacturing 33kV GIS. Expression of interest is invited from interested reputed, technically & financially sound experienced bidders, with experience in manufacturing of plug in VT for GIS.

Expression of interest together with the documents may be sent to "S.K.Prasad,Sr.Manager Switchgear Engineering Division, P.O. Piplani Bhopal-462022 " or by email to skprasad@bhelbpl.co.in (contact No-0755-250-2667) on or before 15th day of publication date.

Note: This document is also available <http://www.bhelbhopal.com>

Sr.Manager/SWE

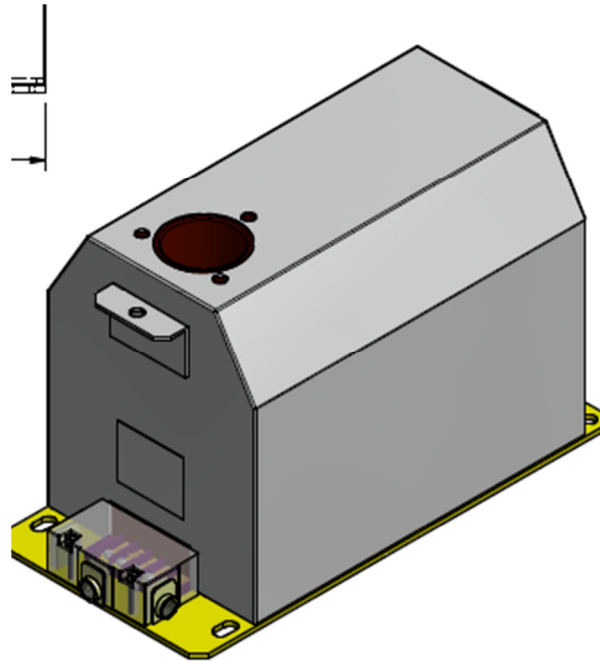
EXPRESSION OF INTEREST

EOI NO. : SWE/RPD/GIS/AK/001

Date : 20/02/2015

A. Item Description :

1. **Name of Item:** VT for plug in system for 36kV GIS
2. **Drawing No. :** 35176500035-001 Rev 00,Annexure A
3. **Material:** Cast epoxy
4. **Special requirement:** As per drawing and specification in fully machined condition
5. **Annual requirement:** Approximately 100 Nos.
6. **Total annual value:** ₹ 50,00,000
7. **Picture:**



B. Qualification criteria:

1. Party should have all the necessary required tools, CNC machine and manufacturing facilities to achieve the desired accuracy and repeatability. All the machine should be enhanced with latest technology . Furnish the list (Machine Description, Make, Year of manufacturing, accuracy).
2. Party should be ISO 9001 certified. Furnish the ISO certificate.
3. Party must have material testing facility. Furnish the list (Testing machine Description, Make, accuracy, calibration certificate).
4. Party must have measuring gauges and instruments. Furnish the list (Instrument /gauge Description, Make, accuracy, calibration certificate).
5. Expression of interest received along with above documents on or before 15th day of publication date will be considered.

C. General terms and conditions

1. Detailed drawing and specification will be furnished to qualifying parties. Party may be visited to verify the required facilities to get qualify.
2. The qualified vendors will be asked to furnish budgetary offer. If budgetary offer is competitive with respect to our existing purchase rate, party will be asked to apply of vendor registration in BHEL Bhopal.
3. The party is registered in BHEL if found suitable based on evaluation of supplier registration form and/ or assessment at site.
4. A development PO will be placed on party after getting registered (trial code) in BHEL.
5. Party has to submit sample of the component along with test pieces and dimensional report and material test certificate.
6. The sample and test piece will be evaluated. After approval of sample, Party will start manufacturing of balanced qty.
7. After successful completion of development PO within delivery dated mentioned in purchase order, Party may be given permanent code and added in our PMD.
8. The unsuccessful party will not be given permanent code.