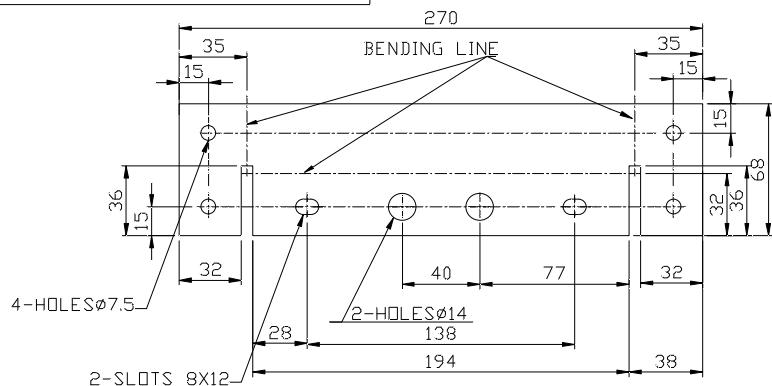
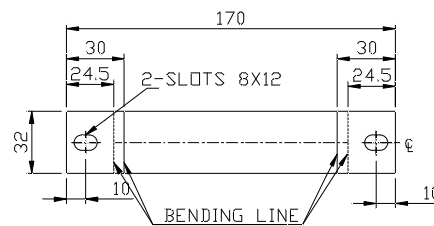


THE INFORMATION ON THIS DOCUMENT IS THE PROPERTY OF BHARAT HEAVY ELECTRICALS LIMITED IT MUST NOT BE USED DIRECTLY OR INDIRECTLY IN ANY WAY DETRIMENTAL TO THE INTEREST OF THE COMPANY

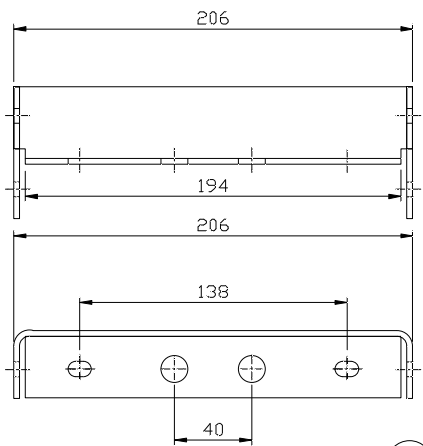
DRG. NO. 35216602167



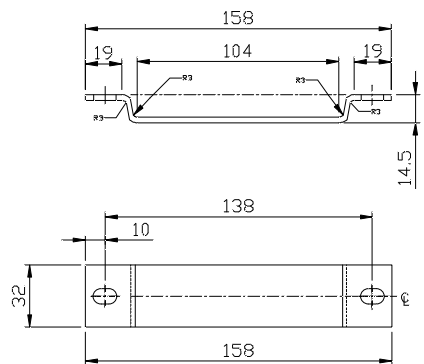
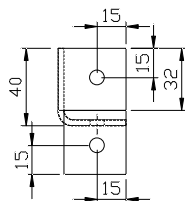
DEVELOPMENT OF ITEM-001



DEVELOPMENT OF ITEM-002



001



002

UNSPECIFIED TOLERANCES SHALL BE :-  
 FOR MACHINING MEDIUM AA0230208.  
 FOR SHEARING OF SHEETS AS PER AA0230409.  
 FINISH :-  
 NATURAL

65	REMARKS	75	VAR. NO.	76	79	25	27	29	DESCRIPTION	58	59	60	77	IT. NO.	29	31	34	MATL. CODE	45	55	58	UNIT	59	60	65	72	ZONE
									POLYCARBONATE MOUNDING 3TK. X 32X170 LG.									BP9069468425	NA	NA	KG			0.018			
									POLYCARBONATE MOUNDING 3TK. X 68X270 LG.									BP9069468425	NA	NA	KG			0.064			
																		BP22566									
																		BP22566									

INVENTORY NO. 35216602167-04-01  
 SIGN. & DATE REF. DRG. NO.

REV	DATE	ALTERED	DATE	ALTERED
04	12.03.10	CKD	05.06.08	CKD
		APPD		APPD

FOR ITEM-002 DIM.170,30 & 24 WERE 165,27.5 & 22 RESP.  
 (CN-29643)

REV	DATE	ALTERED	DATE	ALTERED
01	08.12.06	CHECKED		CHECKED
		APPROVED		APPROVED

2-HOLES DIA 14 ADDED AT DIM.77 & 40  
 (DCA-26429)

ADDITIONAL INFORMATION

STATUS OF DRAWING

DISTRIBUTION OF PRINTS

0 COPY-----1  
 SWM-----3  
 TCX-----1

VM-12(820W)

HAKj gsho bysfDV&dYl fyfeVsl  
 HAKsiky  
 BHARAT HEAVY ELECTRICALS LTD.  
 BHOPAL

uke@NAME  
 P.PARE

gLn@SGN  
 K.S.MANI

mcuk@ATE  
 19.10.2003

ostf@\_dn  
 19.10.2003

ostf@\_dn  
 19.10.2003

en d--  
 ITEM NO.

en\_ l@\_k  
 NO. OF ITEM

vkjs[A d--DRAWING NO.  
 35216602167

04

l="B g--No. 01 l="Bkso dn l@\_k OF SH. 01

CLEAT