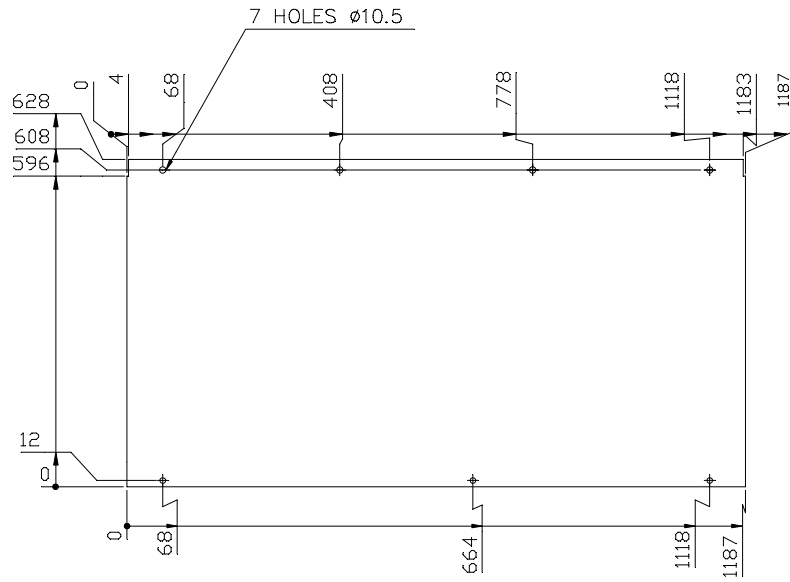


THE INFORMATION ON THIS DOCUMENT IS THE PROPERTY OF BHARAT HEAVY ELECTRICALS LIMITED IT MUST NOT BE USED DIRECTLY OR INDIRECTLY IN ANY WAY DETRIMENTAL TO THE INTEREST OF THE COMPANY

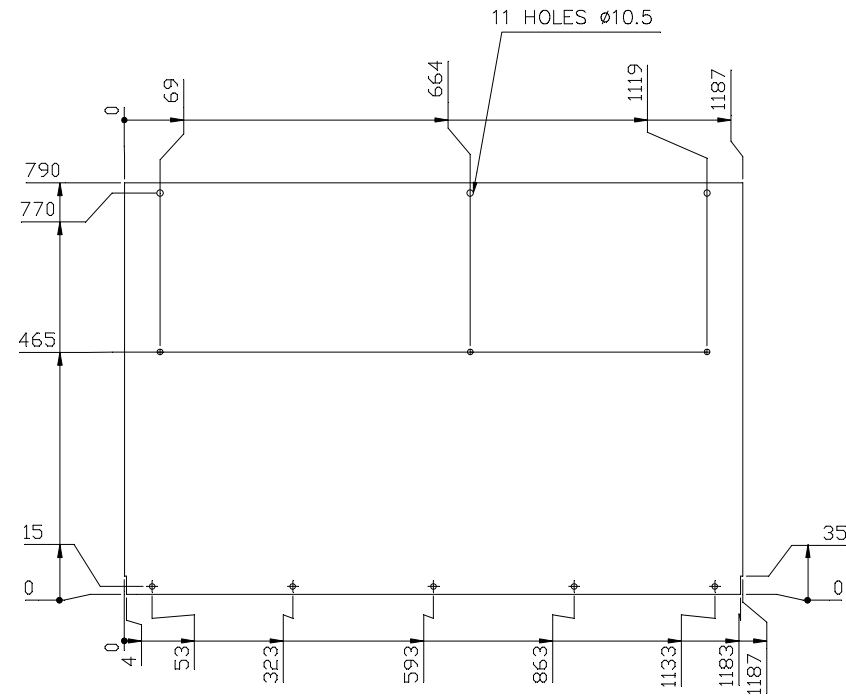
FIRST ANGLE PROJECTION

(ALL DIMENSIONS ARE IN mm)


DRG. NO. 3 522 50 01738



009



010

INVENTORY NO.	REV. 05	DATE 27.03.10	ALTERED CHECKED APPROVED	MKN PKN DIVYA	REV. 04	DATE 01.09.09	ALTERED CHECKED APPROVED	P.PARE MANI DIVYA	ADDITIONAL INFORMATION	उत्पाद का प्रकार या याहक/परियोजना का नाम TYPE OF PRODUCT OR NAME OF CUSTOMER/PROJECT	VM-36	<table border="1"> <tr> <th>क्रमांक/DRN</th> <th>नाम/NAME</th> <th>हस्ता/ SIGN</th> <th>दिनांक/DATE</th> <th>वे. सं. की संख्या/NO. OF VAR</th> </tr> <tr> <td>001</td> <td>SAVALE</td> <td>Sd/-</td> <td>20/02/2004</td> <td rowspan="3">03</td> </tr> <tr> <td>002</td> <td>MANI</td> <td>Sd/-</td> <td>20/02/2004</td> </tr> <tr> <td>003</td> <td>DIVYA</td> <td>Sd/-</td> <td>20/02/2004</td> </tr> </table>	क्रमांक/DRN	नाम/NAME	हस्ता/ SIGN	दिनांक/DATE	वे. सं. की संख्या/NO. OF VAR	001	SAVALE	Sd/-	20/02/2004	03	002	MANI	Sd/-	20/02/2004	003	DIVYA	Sd/-	20/02/2004
	क्रमांक/DRN	नाम/NAME	हस्ता/ SIGN	दिनांक/DATE	वे. सं. की संख्या/NO. OF VAR																									
001	SAVALE	Sd/-	20/02/2004	03																										
002	MANI	Sd/-	20/02/2004																											
003	DIVYA	Sd/-	20/02/2004																											
									STATUS OF DRAWING	 भारत हे वी इलेक्ट्रिकल्स लिमिटेड भोपाल BHARAT HEAVY ELECTRICALS LTD. BHOPAL																				
									DISTRIBUTION OF PRINTS	विभागा/DEPT उम. टोल. माप की ओपी/UNTOL.DIMS. GR. कोड/कोड शीट/शीट																				
									O.C - 1 TCX - 1 SWM - 3	अनुपात/SCALE भार/WEIGHT (K.G.) असे. ड्रॉइंग का संदर्भ/REF. TO ASSY. DRG.																				
	REV. 08	DATE 17.05.12	ALTERED CHECKED APPROVED	MKN PKN DIVYA	REV. 07	DATE 20.10.10	ALTERED CHECKED APPROVED	P.PARE P.K.N. DIVYA	-SIZE OF IT-007,009 CHANGED FROM 566x1181 TO 628x1187 -SIZE OF IT-008,010 CHANGED FROM 631x1181 TO 790x1187 -3 HOLES DIA 10.5 ADDED IN ITEM-007,008,009,010	मंद. संख्या/ITEM NO. मंद. संख्या/REV	010																			
									NOTE FOR APPLICATION OF ANTI TRACKING VARNISH DELETED	शीट/शीट/TITLE	INTER PANEL BARRIER																			
									NOTE FOR APPLICATION OF ANTI TRACKING VARNISH SYSTEM ADDED	अस. ड्रॉइंग का संदर्भ/REF. TO ASSY. DRG.	3 522 50 01738																			
									(DCA NO. 31056)	पृष्ठ सं./SHT. No.	07																			
									(DCA NO-30265)	पृष्ठों की संख्या/NO. OF SHT.	09																			

A3