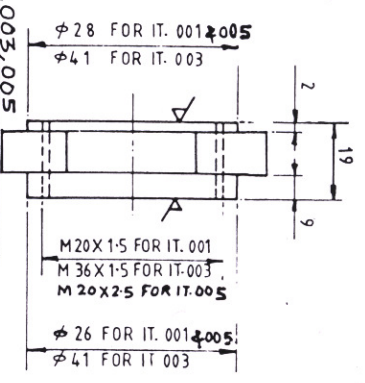
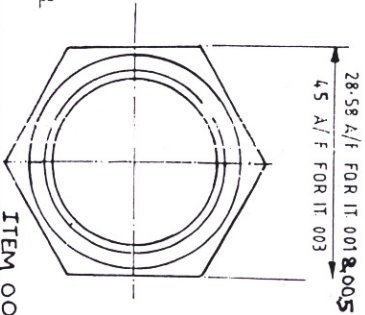
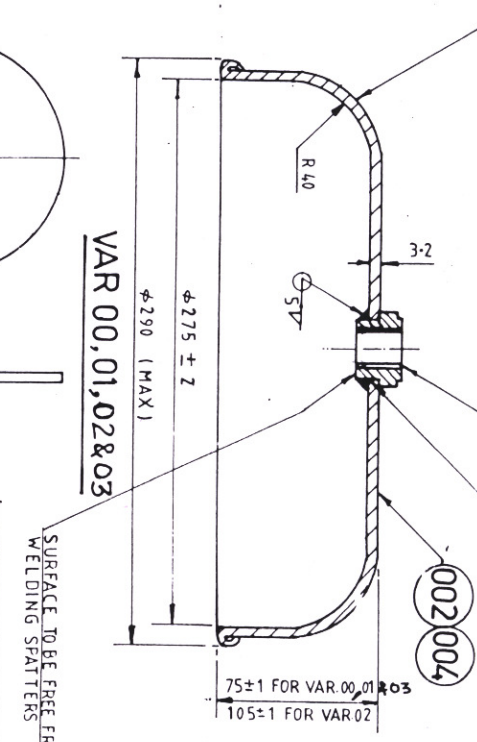


1101070835C ON DRG

THIS SURFACE MUST BE SMOOTH AND FREE FROM CRACKS & WRINKLES

005
001 003

DRILL 2.65 IN IT.003 CENTRALLY FOR VAR 00,02 & 03
DRILL 4.25 IN IT.003 CENTRALLY FOR VAR 01



STYLE LIST		RECORDED
STYLE	IT. INCLUDED	DESCRIPTION
906295	VAR 00	STRESS SHIELD
906665	VAR 01	STRESS SHIELD
950167	VAR 02	STRESS SHIELD
950812	VAR 03	STRESS SHIELD

NOTES

1. MACHINING TOLERANCE ± 0.25 UNLESS SHOWN OTHERWISE.
2. THREAD: PITCH FINE TO LATEST REV OF IS: 4218(PART IV) TOLERANCE QUALITY MEDIUM (CLASS 6H).
3. ALTERNATIVELY SHIELD CAN BE MADE FROM AL ALLOY TO SPEC. AA12312.

BLANK FOR IT.002 & 004

VAR	VAR	VAR	VAR	REMARKS
01	02	03	04	
1	1	1	1	SEE NOTE-3
1	1	1	1	SEE NOTE-3
1	1	1	1	SEE NOTE-3

ITEM NO.	DESCRIPTION	QTY	DRAWING NO.
005	28.58 A/F X 20 LG. HEX. AL ALLOY BAR	1	
004	3.2 TK X 4.60 DIA HALF HARD AL. ALLOY SHT. BLANK	1	
003	4.5 A/F X 20 LG. HEX. AL. ALLOY BAR	1	
002	3.2 TK X 4.00 DIA HALF HARD AL. ALLOY SHT. BLANK	1	
001	28.58 A/F X 20 LG. HEX. AL ALLOY BAR	1	

ITEM 001, 003, 005

28.58 A/F X 20 LG. HEX.

AL ALLOY BAR

3.2 TK X 4.60 DIA HALF HARD AL. ALLOY SHT. BLANK

4.5 A/F X 20 LG. HEX. AL. ALLOY BAR

3.2 TK X 4.00 DIA HALF HARD AL. ALLOY SHT. BLANK

REV. DATE ALT.D. CHD. 07 23.8.05 05 18.5.95 04 13.1.94
ITEM 005 & VAR 03 ADDED.
ITEMS 001 & 003 WAS OCTAGONAL. NOTE 3 OMITTED.
DRG. RETRACED. ITS 001 & 003 WERE ROUND BARS. WELD 5 WAS AT OUTER S.D.E. NOTES ADDED.

TYPE OF PRODUCT OR NAME OF CUSTOMER / PROJECT
145/245 KV - BUSHING

BHARAT HEAVY ELECTRICALS LTD.
BHO PAL

DRN.	NAME	SIGN.	DATE
CHD.	P. S. PAL	SD/	26.9.84
APPD.	P. D. G.	SD/	30.9.84

DEPT.	SCALE	WEIGHT (KG)	REF. TO ASSY. DNG.
BCE	NTS	0.925 (V.00, 01 & 03) 1.275 (V.02)	0.538 0101 002 & 003

TITLE
STRESS SHIELD

CARD CODE	DRAWING NO.	SHEET NO.	TOTAL SHEETS
	3 53804 01011	01	07

THE INFORMATION ON THIS DOCUMENT IS THE PROPERTY OF BHARAT HEAVY ELECTRICALS LIMITED IT MUST NOT BE USED DIRECTLY OR INDIRECTLY IN ANY WAY DETRIMENTAL TO THE INTEREST OF THE COMPANY

INVENTORY NO. SIGN. & DATE REF. DRG. NO.