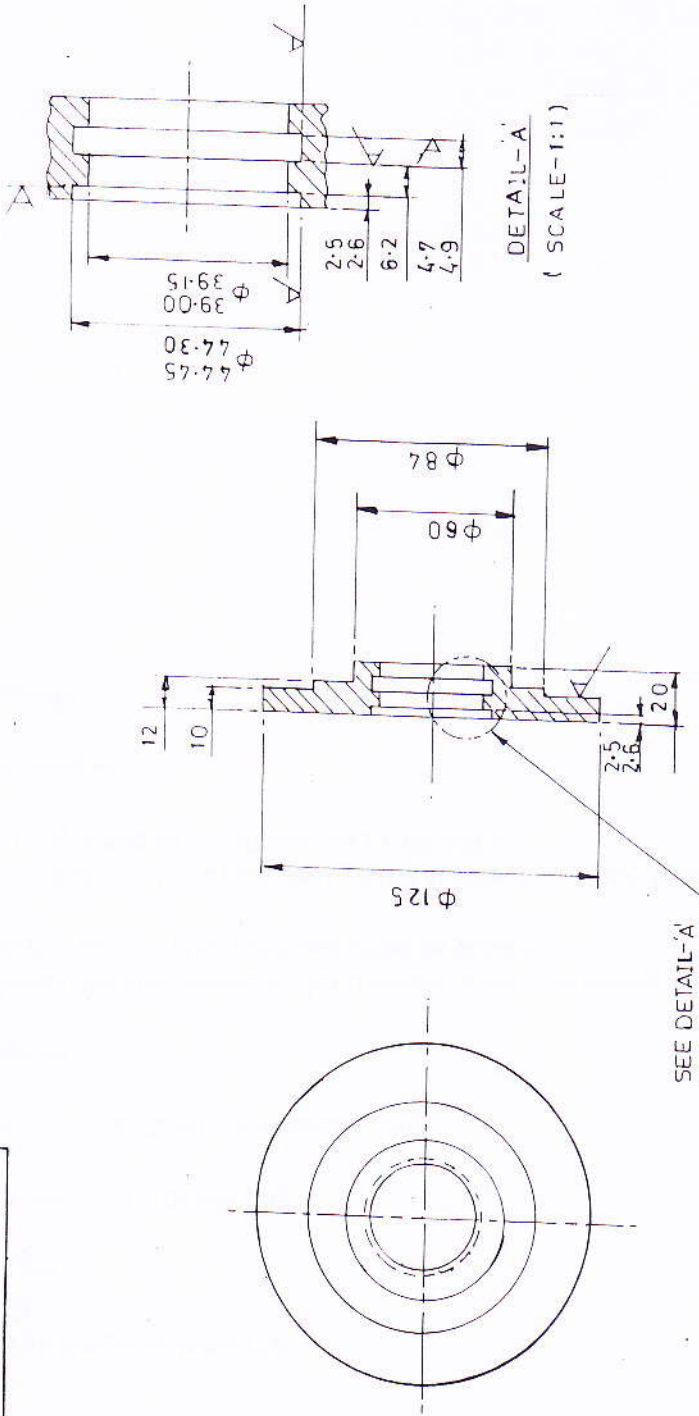


DRG. NO. 1E110708E5E

FINISH:—NATURAL

NOTE:—

1. ALTERNATIVELY IT 001 CAN BE MADE FROM AL. ALLOY ROD TO MATL. SPECN. AA12330.



DETAIL-A  
(SCALE-1:1)

SEE DETAIL-A

ST 950149		001	20 TKX 125X125 AL. ALLOY PLATE		SEE NOTE 1	BP 12316	0-800 Kg
VAR. NO.	REMARKS	ITEM NO.	DESCRIPTION	DRAWING NO.		MATL. CODE	UNIT WT.
44.66		37				45.55	58
CARD TYPE-3		CARD TYPE-1		CARD TYPE-2		CITY	
ADDITIONAL INFORMATION		TYPE OF PRODUCT OR NAME OF CUSTOMER/PROJECT		36 KV-1250A WALL BUSHING		017	
STATUS OF DRAWING		NAME OF CUSTOMER/PROJECT		BHPAL		NO. OF ITEMS	
DISTRIBUTION OF PRINTS		BHPAL		BHPAL		NO. OF VAR.	
BCE	BCM	TCX	QAX	REF. TO ASSY DRG.		NO. OF ITEMS	
1	4	1	1	0 5380101017		017	
REV.	DATE	ALTERED	CHECKED	WEIGHT (KG)		ITEM NO.	
				0.350		017	
GRADE OF UN. TOL. DIM. C/M/F		SCALE		DRAWING NO.		REV.	
4.21		1:2		35380401131		00	
TITLE		BOTTOM PLATE		SHEET NO.		NO. OF SHEETS	
				3		27	