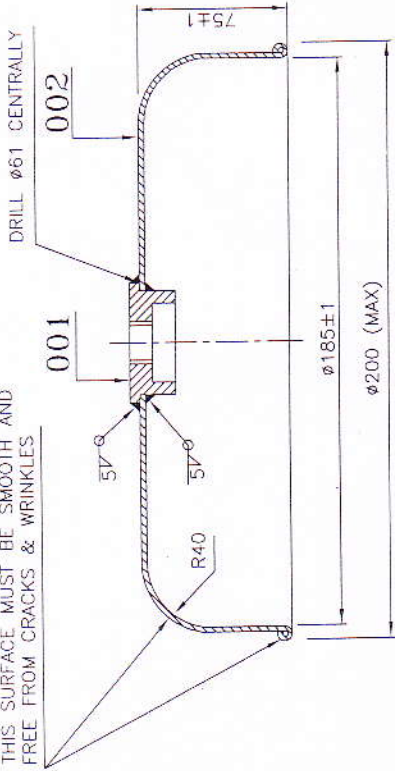
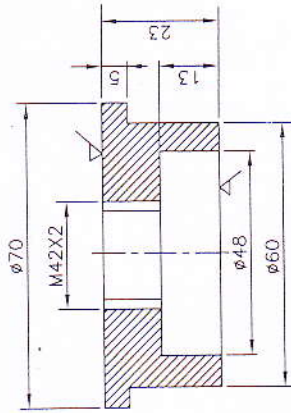


DRG. NO. 3 538 04 01261

THIS SURFACE MUST BE SMOOTH AND FREE FROM CRACKS & WRINKLES



VAR-00

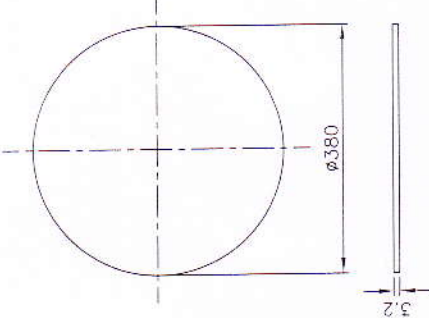


BLANK FOR IT.002

STYLE LIST		
STYLE	IT. INCLUDED	DESCRIPTION
950538	VAR 00	RAIN SHIELD

NOTES: -

1. MACHINING TOLERANCE  $\pm 0.25$  UNLESS SHOWN OTHERWISE.
2. THREAD: - PITCH COARSE/FINE TO LATEST REV. OF IS:4218 (PART-IV) TOLERANCE QUALITY MEDIUM CLASS-6H.
3. ALTERNATIVELY SHIELD CAN BE MADE FROM AL. ALLOY TO SPEC. AA 12312



VAR. NO.	REMARKS	IT. NO.	DESCRIPTION	IT. NO.	DESCRIPTION	IT. NO.	DESCRIPTION	IT. NO.	DESCRIPTION	IT. NO.	DESCRIPTION
-	-	002	3.2TKx380x380 HALF HARD AL. ALLOY. SHEET	1	-	AA	12314	-	-	1.000	1
-	-	001	Ø70x27 LG AL. ALLOY ROD	1	-	AA	12330	-	-	0.260	1
						IT. NO.	MATL. CODE	A	Z	UNIT WT.	Ø
						VAR	MATL. SPEC.	C	Z	QTY.	Ø

ITEM 001

ADDITIONAL INFORMATION  
OLD DRG REF D9291187&253

STATUS OF DRAWING M

DISTRIBUTION OF PRINTS  
BCE-1 TRX-1  
BCM-4 GAX-1

REV	DATE	ALTERED CHECKED APPROVED

REV	DATE	ALTERED CHECKED APPROVED

TYPE OF PRODUCT OR NAME OF CUSTOMER/PROJECT

52/72.5KV-2000/3150A BUSHING



BHARAT HEAVY ELECTRICALS LTD.  
BHOPAL

DEPT	BCE	CODE	421

SCALE	WEIGHT(KG) APPROX.
N.T.S	1.000

REF TO ASSY DRG	TECH NO.
05380101012&019	017

NAME	SIGN	DATE	NO. OF VAR
B.R.MOHE	<i>[Signature]</i>	06.01.10	01
S.C.SDY	<i>[Signature]</i>	09.01.10	
A.DHAMIJA	<i>[Signature]</i>	09.01.10	

TITLE

RAIN SHIELD

DRAWING NO.  
3 538 04 01261

SHT NO.01	NO. OF SHT.01	REV
01	01	00