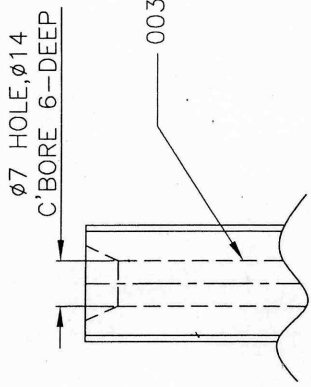


DRG. NO. 81018 3 614 04 0018

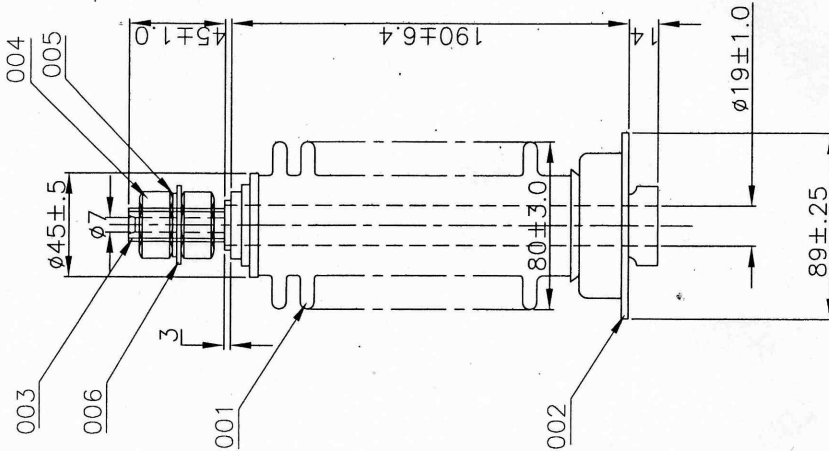
(ALL DIMENSIONS ARE IN mm)

ELECTRICAL CHARACTERISTICS
 AVERAGE CORONA START-25KV.RMS
 DRY 1 MINUTE WITHSTAND-70KV.RMS
 WET TEST WITHSTAND-55KV.RMS
 MINIMUM CREEP-300MM
 GLAZE COLOUR-GREY/BROWN
 IMPULSE VOLTAGE-95KV

NOTE:-JOINT OF METAL PART WITH PORCELAIN MUST BE AIR TIGHT AT APRESSURE OF 1 KG/SG.CM



DETAILS-'A'



VAR	STN. STL	DESCRIPTION	IT. NO.	DRAWING NO.	MATL CODE	UNIT	WT.	QTY.
001	STN. STL AISI 304	C06 PUNCHED WASHER-B16						
001	STN. STL AISI 304	C05 SPRING WASHER-B16						
002	STN. STL AISI 304	C04 HEX. NUT AM16						
001	STN. STL AISI 304	C03 M16 STUD (S.S 304)					1.6	001
001	STN. STL AISI 304	C02 BOTTOM FLANGE .76 TK					2.3	
001	PORCELAIN INSULATOR	C01 BUSHING 17.5 KV					0.600	001
VAR 00	REMARKS							

COM. FILE NO. -		SIGN. DATE		INVENTORY NO.	
REV	DATE	ALTERED	CHECKED	APPROVED	
REV	DATE	ALTERED	CHECKED	APPROVED	
STATUS OF DRAWING		DISTRIBUTION OF PRIN'S		REV	
B		CPE-1 OCC(CB)-1		00	
		CPM-2 TRX(TCB)-1		00	
ADDITIONAL INFORMATION		REV DATE		00	
TYPE OF PRODUCT OR NAME OF CUSTOMER/PROJECT		REV DATE		00	
BP 9067020825		ALTERED		00	
Bharat Heavy Electricals Ltd. Bhopal		CHECKED		00	
DRN		APPROVED		00	
P.K. PAUL				00	
T. SKARIAH				00	
M. KURRE				00	
NAME				00	
SIGN				00	
DATE				00	
20.8.11				00	
28.8.11				00	
28.8.11				00	
NO. OF VAR		REF TO ASSY DRG		NO. OF ITEM	
01		-		006	
WEIGHT(kg)		SCALE		DRAWING NO.	
1.4		N.T.S		3 614 04 00018	
TITLE		17.5 KV BUSHING ASSY.		REV	
(WITH M16 TERMINAL STUD)				003	
				NO. OF SH. 01	