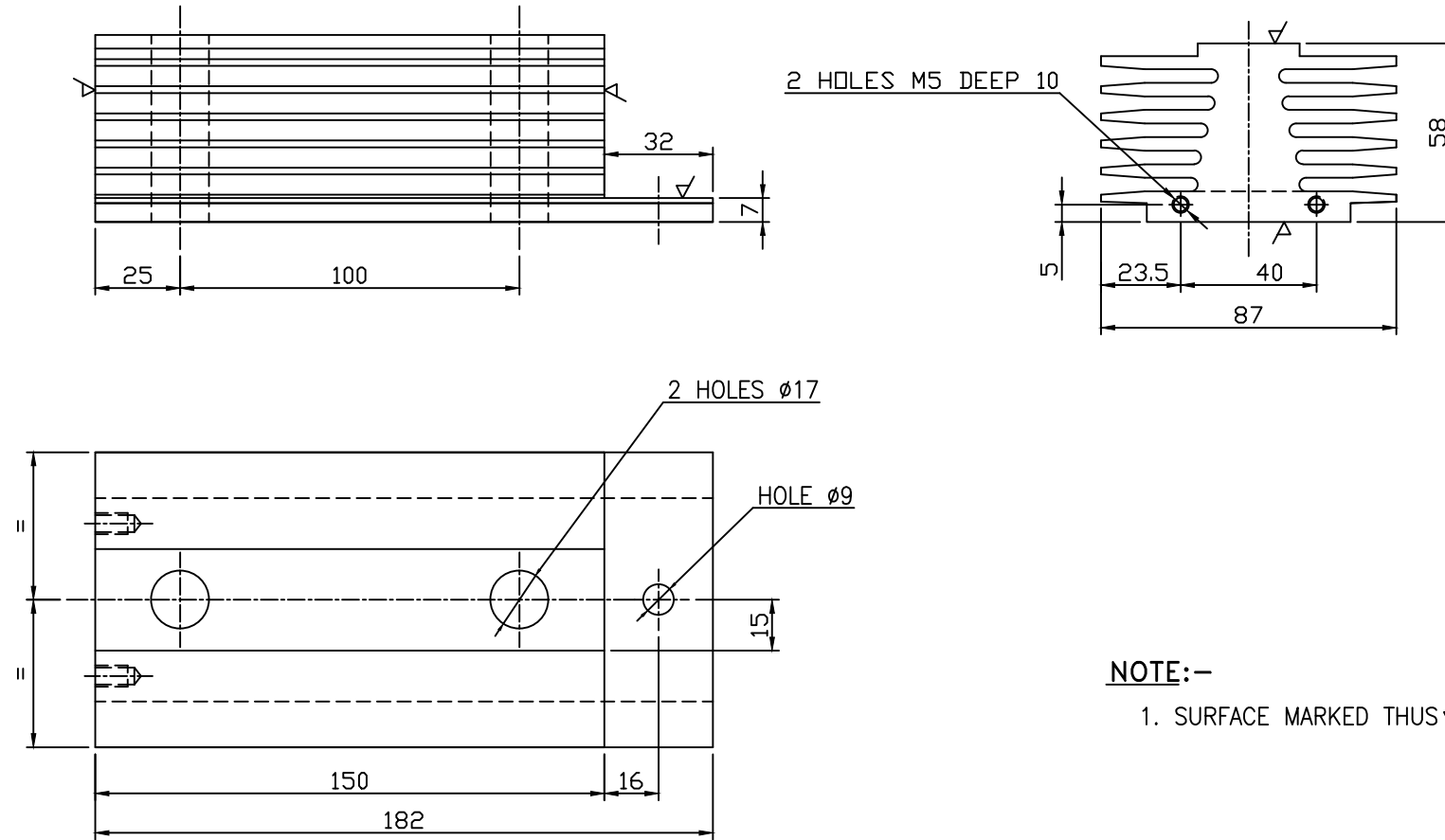


THE INFORMATION ON THIS DOCUMENT IS THE PROPERTY OF BHARAT HEAVY ELECTRICALS LIMITED IT MUST NOT BE USED DIRECTLY OR INDIRECTLY IN ANY WAY DETRIMENTAL TO THE INTEREST OF THE COMPANY

FIRST ANGLE PROJECTION

(ALL DIMENSIONS ARE IN mm)

DRG. NO. 3 667 05 0 0051



NOTE:-
1. SURFACE MARKED THUS ✓ TO BE FINISHED TO 1.524 MICRONS.

ST CODE NO BP 9047565355		001		HEAT SINK		3 667 05 0 0043		001		0.800					
VAR.00		REMARKS		DESCRIPTION		DRAWING NO.		IT.ND.		MATL. CODE		UNIT WT.		ZONE	
DATE		VAR. NO.		ITEM NO.		STD		VAR.		MATL. SPCN.		QTY.		US	
28		CARD TYPE-3		28		CARD TYPE-1		28		CARD TYPE-2		R/26/92			

ADDITIONAL INFORMATION	उत्पाद का प्रकार या ग्राहक/परियोजना का नाम TYPE OF PRODUCT OR NAME OF CUSTOMER/PROJECT
STATUS OF DRAWING	AC/DC/DE LOCO INDIAN RAILWAYS

COMPUTERISED DRAWING		
	CHD.	APPD.
NAME	J.D.B.	V.J.
SIGN.	<i>[Signature]</i>	<i>[Signature]</i>
DATE	08.03.2013	08.03.2013

DISTRIBUTION OF PRINTS	
OFFICE COPY	-1
RFM	-4
TCX(RFM)	-1

भारत हेवी इलेक्ट्रिकल्स लिमिटेड BHARAT HEAVY ELECTRICALS LTD. BHOPAL	नाम/ NAME	हस्ता/ SIGN	दिनांक/ DATE	वे. रं. की संख्या NO. OF VAR
	RAJAN	sd/-	04.12.83	-
	N.H.J.	sd/-		

INVENTORY NO.	REV. 07	DATE 31.10.94	ALTERED D.P.V. -Sd- CHECKED P.T.P. -Sd- APPROVED P.T.P. -Sd-	REV. 06	DATE 14.09.94	ALTERED D.P.V. -Sd- CHECKED P.T.P. -Sd- APPROVED P.T.P. -Sd-	REV. 05	DATE 09.03.34	ALTERED D.P.V. -Sd- CHECKED P.T.P. -Sd- APPROVED P.T.P. -Sd-	विवरण DEPT CEE	उत्प. टोल. नाप की श्रेणी UNTOI.DIMS. GR.	अनुपात SCALE	भार. कि.ग्रा. WEIGHT (K.G.)	उत्प. इकाई का संदर्भ REF. TO ASSY. DRG.	मद क. ITEM NO.	मद. संख्या NO. OF ITEM
	HEAT SINK PROFILE MODIFIED AS PER REV.06 OF DRAWING 3667 050 0043(001).		4 HOLES M5 DEEP 15 DELETED. IN NOTE-1, 1.524 MICRONS WAS ±1.524 MICRON.		4 HOLES M5 DEEP 15 ADDED.				कोड CODE 407	REF. CG 06503	1:2	-	IT.001-2 667 05 0 0066	002	001	
	E 372		E 346		E 264				शीर्षक/ TITLE		A.C. HEAT SINK		आरेख क्र/ DRAWING NO.		3 667 05 0 0051 07	
													पृष्ठ क्र/ SHT. No. 01		पृष्ठों की संख्या/ NO. OF SHT. 01	