

FIRST ANGLE PROJECTION

98100 50 299 3 667 05 00186

RESISTANCE : 0.000195 OHMS ± 0.0000120 AT 25.0°C

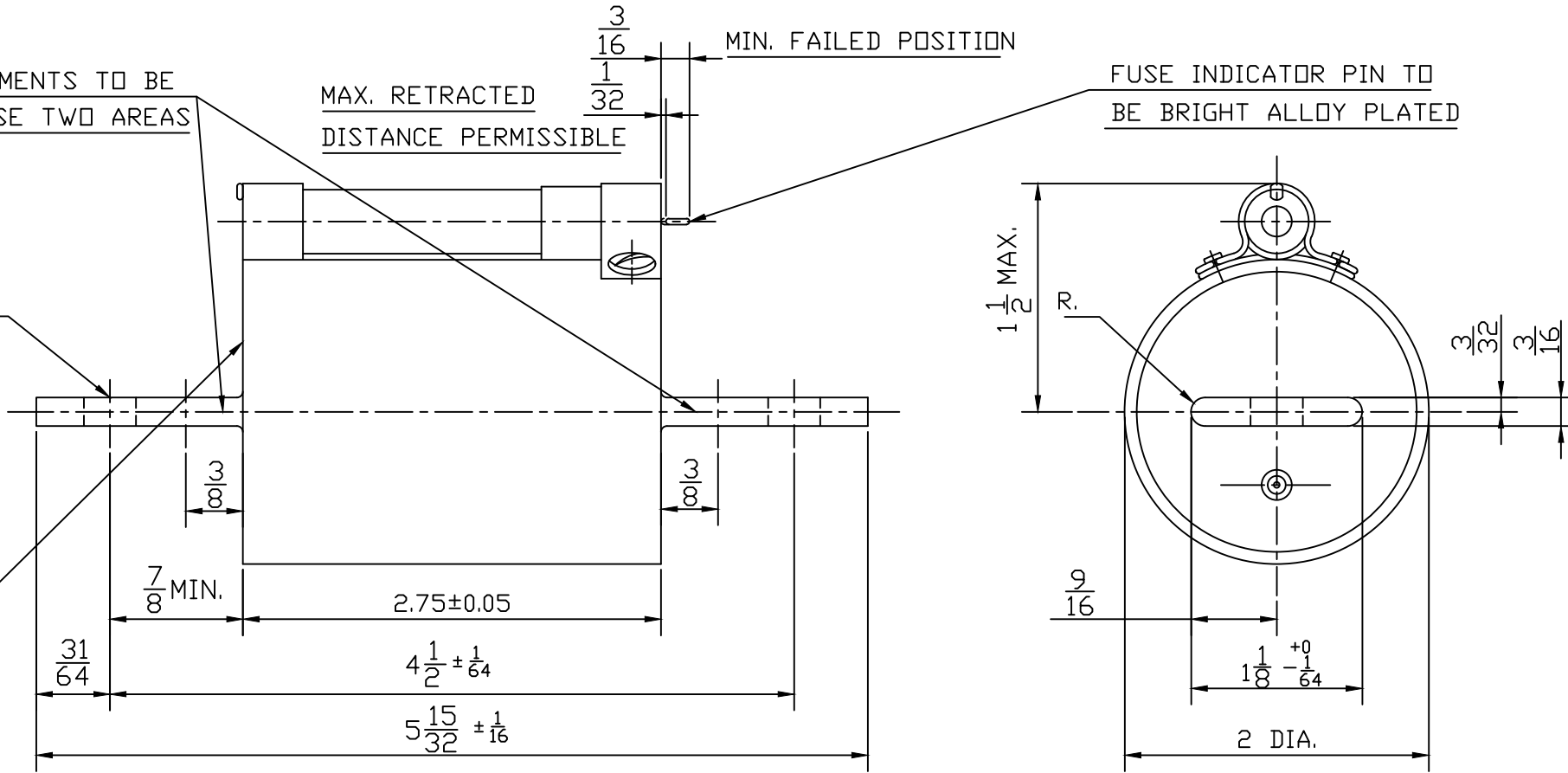
RESISTANCE MEASUREMENTS TO BE TAKEN BETWEEN THESE TWO AREAS

MAX. RETRACTED DISTANCE PERMISSIBLE

MIN. FAILED POSITION

FUSE INDICATOR PIN TO BE BRIGHT ALLOY PLATED

11/32 DIA.-2 HOLES



FUSE PART NO. AND DATE CODE ARE TO BE STAMPED INTO FUSE TERMINAL FACE OR END BLOCK

NOTE:-

1. ALL DIMENSIONS ARE IN INCHES.

59	64	65	75	78	79	25	27	29	58	59	60	77	29	31	34	45	55	56	57	58	65	72
VAR00	REMARKS		VAR. NO.	ITEM NO.		DESCRIPTION			STD	DRAWING NO.			IT.ND.	MATL. CODE		A	C	UNIT	UNIT WT.	GS	ZONE	
28 → CARD TYPE-3			28 → CARD TYPE-1						28 → CARD TYPE-2			R/28/02										

ADDITIONAL INFORMATION

उत्पाद का प्रकार या ग्राहक/परियोजना का नाम  
ALT. RECTIFIER FOR WDG4  
TYPE OF PRODUCT OR NAME OF CUSTOMER/PROJECT  
INDIAN RAILWAYS

COMPUTERISED DRAWING	
CKD.	APPD.
NAME V.JOHN	ASA
SIGN.	
DATE 19.07.14	19.07.14

STATUS OF DRAWING M  
DISTRIBUTION OF PRINTS  
OFFICE COPY - 1  
RFM - 4  
TCX (RFM) - 1

बनाया DRN.	नाम /NAME	हस्ता /SIGN.	दि./DATE	भरि की संख्या NO. OF VAR.
S.THAKRE	-Sd.-	08.08.02		
जांचा CKD.	R.ALI	-Sd.-	12.11.02	
स्वीकृत APPD.	N.H.J.	-Sd.-	12.11.02	

विभाग DEPT. CEE	अन. टोल. नाप की श्रेणी UNTOL. DIMS. GR.	अनुपात SCALE	भार कि ग्रा WEIGHT (K.G.)	असे. ड्राइंग का संदर्भ REF. TO ASSY.	मद संख्या ITEM NO.	मद संख्या NO. OF ITEM
कोड CODE. 407	REF CG 06503	1 : 1		1 667 05 00064	006	001
शीर्षक/TITLE				ड्राइंग क्र. /DRAWING NO.		पुन./REV.
FUSE & INDICATOR ASSY.				3 667 05 00186		00
शीट क्र. /SHT.NO 01			शीटों की सं./NO.OF.SHT. 01			

THE INFORMATION ON THIS DOCUMENT IS THE PROPERTY OF BHARAT HEAVY ELECTRICALS LIMITED. IT MUST NOT BE USED DIRECTLY OR INDIRECTLY IN ANY WAY DETRIMENTAL TO THE INTEREST OF THE COMPANY.

REF. DRG. NO. 8407729

SIGN. & DATE

INVENTORY No.