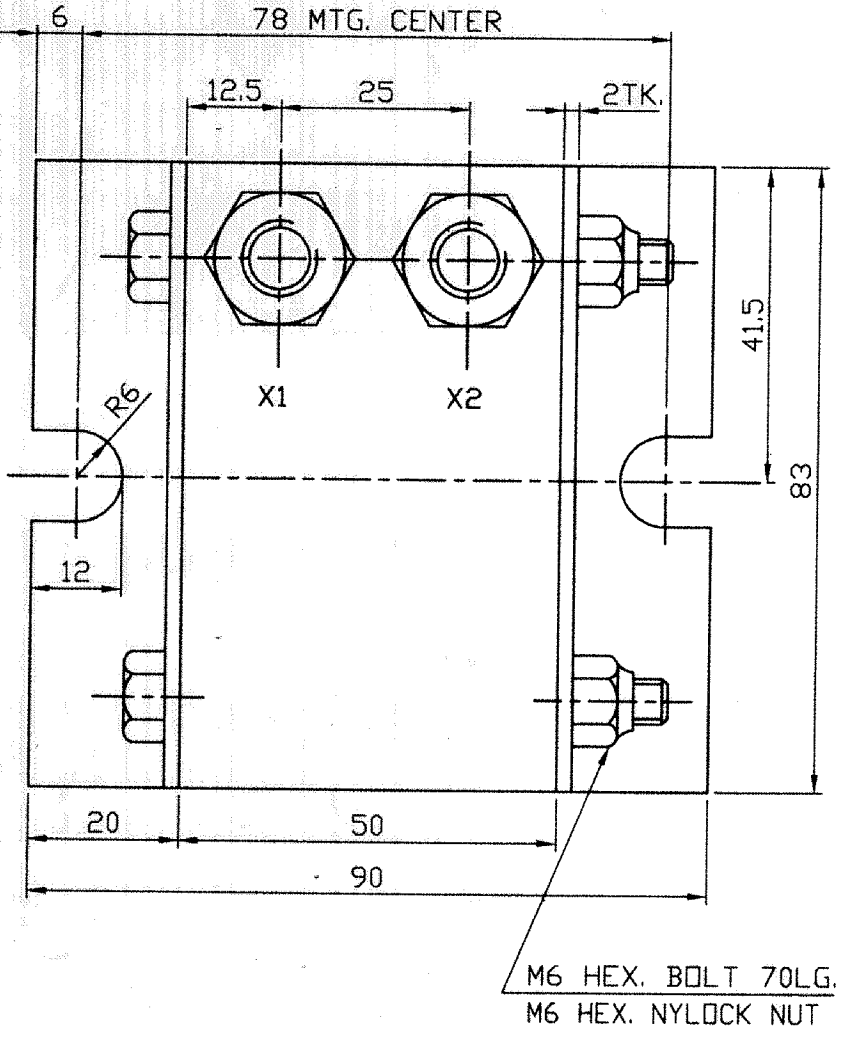
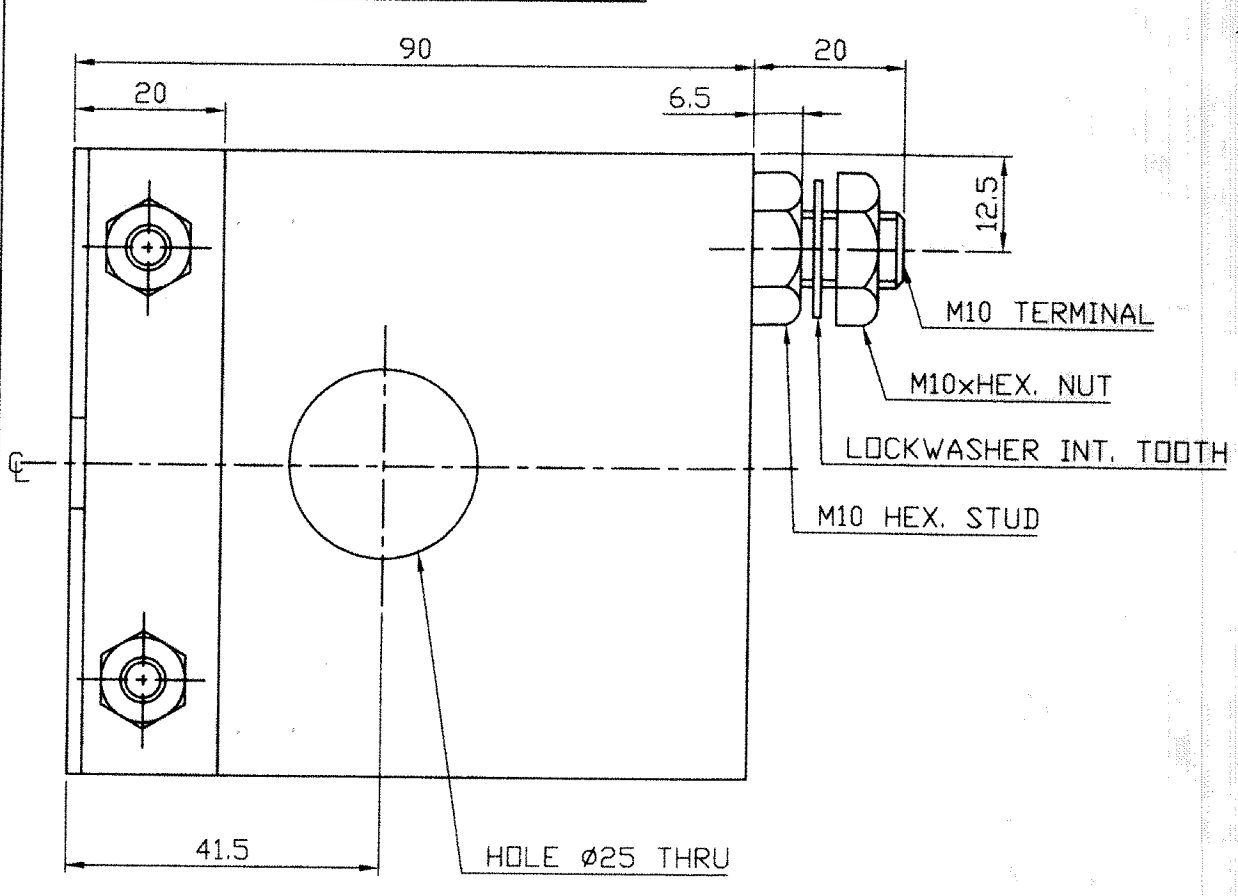


THE INFORMATION ON THIS DOCUMENT IS THE PROPERTY OF BHARAT HEAVY ELECTRICALS LIMITED. IT MUST NOT BE USED DIRECTLY OR INDIRECTLY IN ANY WAY DETRIMENTAL TO THE INTEREST OF THE COMPANY.

5374003 / DRGAWING NO. 3 667 05 00241



- NOTES:-**  
**DESCRIPTION:-**  
**COIL:**
- 11.8±10% DHMS @ 25°C (D.C RESISTANCE) TO BE INSULATE FOR 1000 VOLTS RMS BETWEEN TERMINALS INTERNALLY GENERATED.
  - ALL HARDWARE TO BE ZINC PLATED & PASSIVATED
  - TO BE INSULATED FOR 2400 VAC (RMS) 60Hz HI-POT FROM TERMINALS TO BRACKETS TO PRIMARY
  - OPERATING AMBIENT TEMP. RANGE -40°C TO 100°C
  - VOLTS: 900 RMS PRIMARY  
CYCLES: 25 TO 75  
CURRENT RATIO: 500/0.5  
MAX. BUS: 500A RMS  
MAX. BURDEN 100 DHMS  
ACCURACY 1%
  - PARTS MUST BE LEGIBLY MARKED WITH SERIAL NUMBER, MANUFACTURER'S NAME TRADE MARK OR SYMBOL, TERMINAL IDENTIFICATION, STYLE NO. NO. REQUIRED ON NAMEPLATE. NAMEPLATE MARKED WITH MANUFACTURER'S TYPE NUMBER.
  - WINDING POLARITY TO BE SUCH THAT APPLICATION OF DC CURRENT THROUGH WINDOW IN DIRECTION X2(POSITIVE), X1(NEGATIVE) INDUCES WINDING POTENTIAL X2 POSITIVE WITH RESPECT TO X1.
  - PART SHALL COMFIRM TO SPECIFICATION NO. CG 00031.

8374003 REF. DRG. NO. SIGN. & DATE INVENTORY No.

STYLE NO. BL9047573919	001	TRANSFORMER									
VAR. 00	REMARKS	VAR NO.	ITEM NO.	DESCRIPTION	STD.	DRAWING NO.	IT. NO.	MATL. CODE.	A/C	UNIT	UNIT WT.
							VAR	MATL. SPCN.			QTY.

**कम्प्यूटर ड्राइंग**  
**फाईल नं.- CEET2202**

ADDITIONAL INFORMATION		STATUS OF DRAWING <b>M</b>		DISTRIBUTION OF PRINTS		विभाग DEPT. CEE कोड CODE 407		अल्ट. रेक्टिफायर का नाम TYPE OF PRODUCT OR NAME OF CUSTOMER/PROJECT <b>ALT. RECTIFIER FOR WDG4 INDIAN RAILWAYS</b>		वजरा DRN. नाम /NAME हस्ता/SIGN. दि./DATE वि. की संख्या NO. OF वार.	
OFFICE COPY - 1 RFM - 4 TCX (RFM) - 1		REV DATE ALTERED CHECKED APPROVED		अल. टोल. माप की श्रेणी UNTOL. DIMS. GR. REF CG 06503		अलुपात SCALE 1 : 1		भार की मात्रा WEIGHT (K.G.) उसे. ड्राइंग का संदर्भ REF. TO ASSY.		मं. संख्या ITEM NO. मं. संख्या NO. OF ITEM 001	
विभाग / TITLE <b>TRANSFORMER</b>						ड्राइंग नं./DRGAWING NO. <b>3 667 05 00241</b>			पुन./REV. 00		
शीट नं./SHT.NO 01						शीटों की सं./NO.OF.SHT. 04					

R/32-02