

ANGLE PROJECTION

42217-11-20

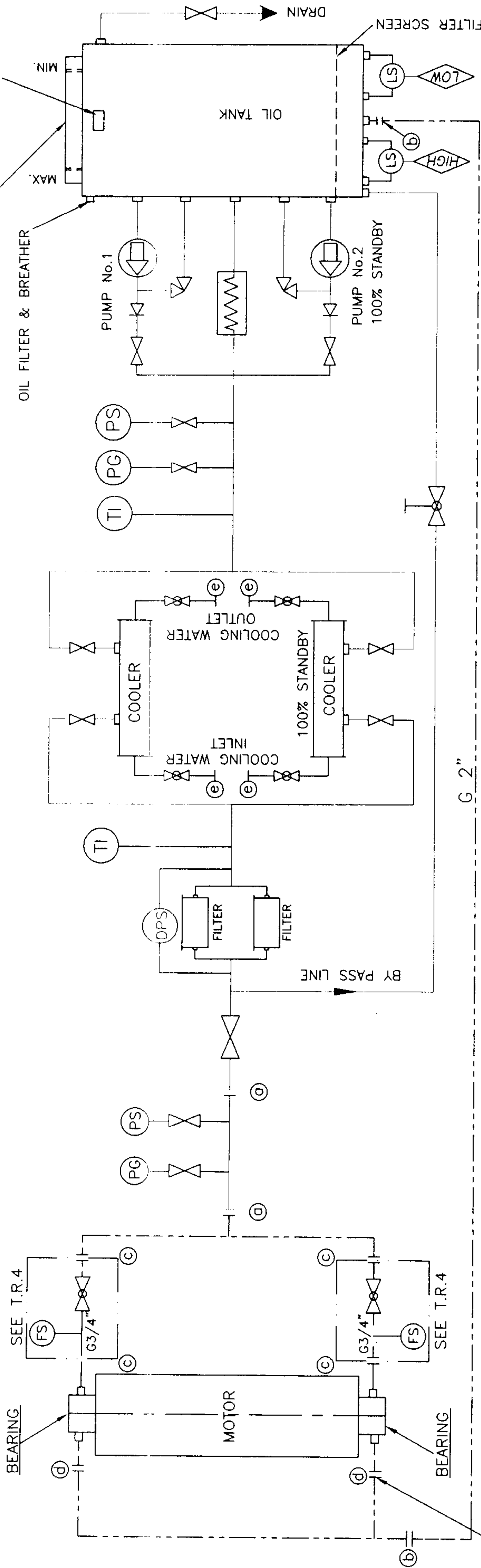
DRG. NO.

THE INFORMATION ON THIS DOCUMENT IS THE PROPERTY OF BHARAT HEAVY ELECTRICALS LIMITED. IT MUST NOT BE USED DIRECTLY OR INDIRECTLY IN ANY WAY DETRIMENTAL TO THE INTEREST OF THE COMPANY.

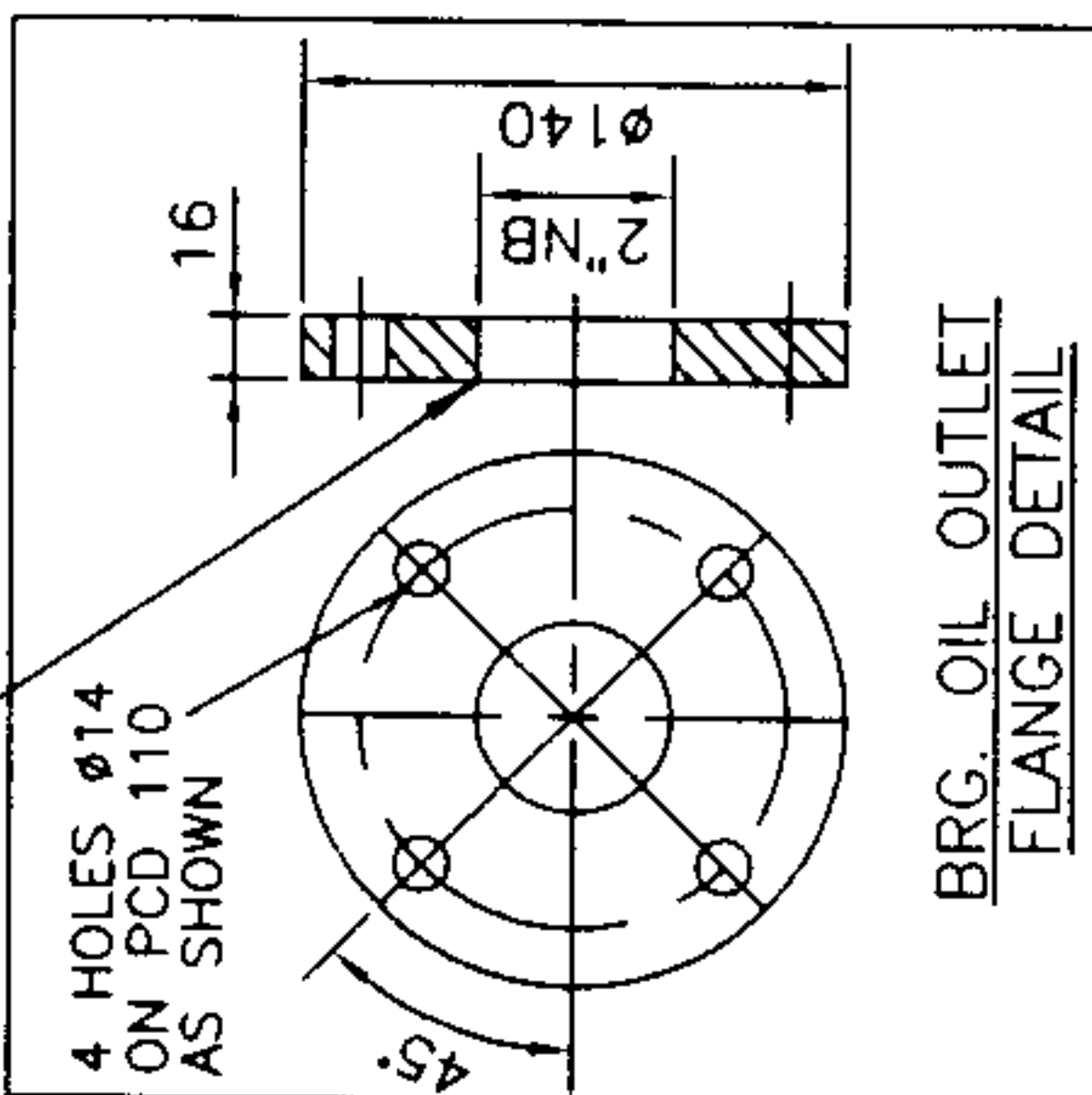
(ALL DIMENSIONS ARE IN mm)

SCOPE OF SUPPLY

- SUPPLIED BY FOL SUPPLIER
- - - SUPPLIED IN LOOSE CONDITION BY FOL SUPPLIER



G 2"



LEGEND	
1	GATE VALVE
2	LOCKABLE TYPE REGULATING GLOBE VALVE
3	NON RETURN VALVE
4	LEVEL SWITCH
5	PRESSURE GAUGE WITH SHUT OFF VALVE
6	PRESSURE SWITCH WITH VISUAL INDICATOR
7	TEMPERATURE INDICATOR
8	RELIEF VALE
9	PRESSURE RELIEF VALVE
10	DIFFERENTIAL PRESSURE SWITCH OR INDICATOR
11	BY PASS FLOW CONTROL VALVE
12	FLOW SWITCH WITH CONTACT

OIL INLET TEMP. = 40°C
OIL QUANTITY = 9 LPM AT INLET OF EACH BEARING
OIL PRESSURE = 0.2-0.5 BAR AT BEARING OIL INLET
OIL GRADE = ISO VG 46

TECH. REQUIREMENTS:-

- BEARING INLET SIZE = G 3/4" THREADED CONNECTION
- BEARING OUTLET SIZE = G 2" FLANGED CONNECTION
- ALL FLANGES MARKED (C) - (E) EXCEPT 2 EACH OF (C) & (E) SHOWN ASSEMBLED ON BEARING ARE TO BE SUPPLIED MATING FLANGES FOR COOLING WATER PIPING AS (C) ARE ALSO TO BE SUPPLIED IN LOOSE CONDITION.
- THE PIPING FLANGES & INSTRUMENTS SHOWN WITHIN THE CHAIN DOTTED REGION ARE TO BE SUPPLIED IN LOOSE CONDITION.
- OIL RETURN FROM BEARING OUTLET TO FOLS UNIT IS BY GRAVITY. FOLS UNIT SHOULD BE LOCATED AT LOWER LEVEL SUCH THAT OIL RETURN PIPE HAS AT A CONTINUOUS GRADIENT OF 1 IN 30.

REF. DRG. NO.	DRIVE - MILL
SIGN. & DATE	TYPE OF PRODUCT 1RU1905-6
INVENTOR NO.	OR NAME OF CUSTOMER/PROJECT M/S.HUMBOLDT WEDAG PVT.LTD. FOR ACC JAMUL
	BHARAT HEAVY ELECTRICALS LTD. BHOPAL
	DEPT. AME CODE 404
	UNTO. DIMS. GR. SCALE NTS
	WEIGHT(K.G.)
	REF. TO ASSY. DRG.
	ITEM NO.
	DATE
	SIGN
	NAME
	NO. OF VAR.
	DRN UPENDRA
	02.05.13
	CKD RPB
	02.05.13
	APPD DKD
	02.05.13
	NO. OF ITEMS
	REV. 00
	DRAWING NO. 42217-11-20
	SHEET NO. 1
	NO. OF SHEETS 1
TITLE SCHEMATIC DIAGRAM OF FORCED OIL SYSTEM (20 LPM)	

ADDITIONAL INFORMATION
W.O. 42217A422-11

STATUS OF DRAWING

DISTRIBUTION OF PRINTS

AME	- 1
PLM	- 3
TEX (PLM)	- 1

REV.	DATE	ALTERED	CHECKED	APPROVED