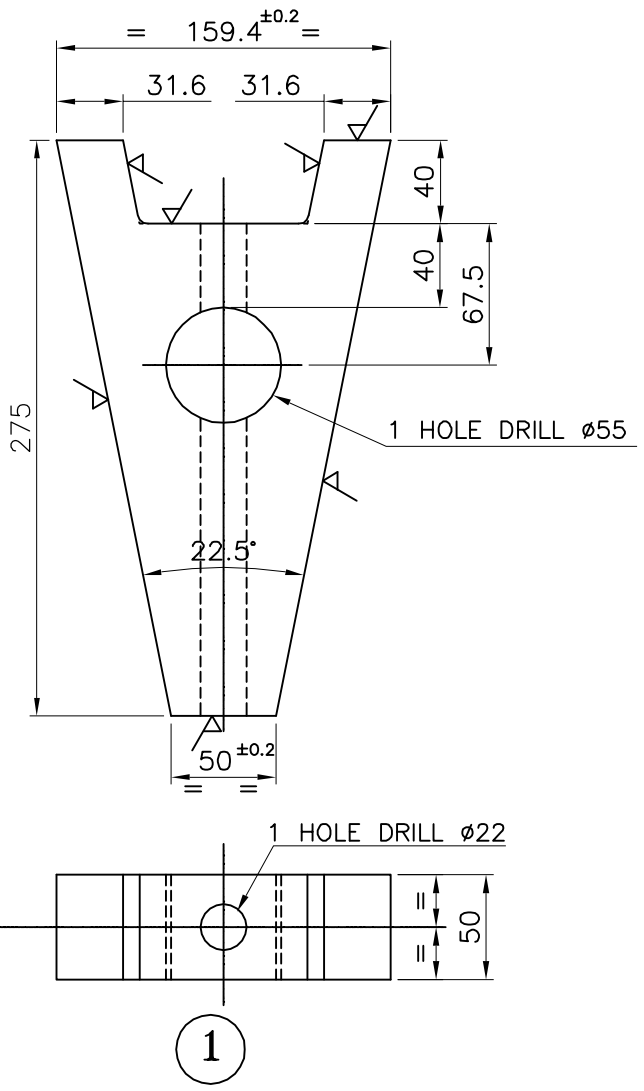


THE INFORMATION ON THIS DOCUMENT IS THE PROPERTY OF BHARAT HEAVY ELECTRICALS LIMITED IT MUST NOT BE USED DIRECTLY OR INDIRECTLY IN ANY WAY DETRIMENTAL TO THE INTEREST OF THE COMPANY

FIRST ANGLE PROJECTION

(ALL DIMENSIONS ARE IN mm)

REV.	DATE	ALTERED	REV.	DATE	ALTERED	ADDITIONAL W.O.NO. 39003,04&05 P231-53 INFORMATION	
		CHECKED			CHECKED		
		APPROVED			APPROVED		
						STATUS OF DRAWING	U
						DISTRIBUTION OF PRINTS	HGE- 2 PLM-2      TEX-1




**TECHNICAL REQUIREMENT:-**

1. THE SURFACE FINISH OF MACHINED SURFACE SHALL BE 3.2 MICRONS OR BETTER.
2. ALL SHARP CORNERS TO BE ROUNDED OFF.

REF. DRG. NO.	001		VEE BLOCK	BP12391		NA	NA	3.5
	65	75	25	27	29	58	59	46
	REMARKS	ITEM NO.	DESCRIPTION	MATL. CODE	MATL. SPCN.	UNIT	UNIT WT.	QTY.
	28	CARD TYPE-3	28	CARD TYPE-1	28	CARD TYPE-2		

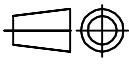
**NHPC/KISHANGANGA HEP**



**BHTEL**

HAKjr gsoh bysDV&hdYl fyfeVsM  
HAKsiky  
**BHARAT HEAVY ELECTRICALS LTD.**  
**BHOPAL**

uke NAME	gLrk-SIGN	fnuakd DATE	osfj_l dh la[i;k NO. OF VAR.
cuk;k DRN SKN	<i>[Signature]</i>	22.02.12	
tkapk CKD AS	<i>[Signature]</i>	22.02.12	
vugksfmr APPD AB	<i>[Signature]</i>	22.02.12	NA

INVENTORY NO.	foHAKx DEPT HGE	vu_ Vky_ uki dh Js.kh UNTOL.DIMS. GR.		vuglkr SCALE 1:5	HAKj fd_xk- WEIGHT (K.G.) -	vis_M&kbZax dk lanHAZ REF. TO ASSY. DRG. 0 253 03 33602	en d-- ITEM NO. -	en la[i;k NO. OF ITEMS 001
	dkSM CODE 403	3-250-00-01404						
	'Ah"AZHOLE						DRAWING NO. 4 253 03 33607	