

A4 SIZE

DEPT. ME. UNTO. DIMS. GR. SCALE BHOPAL		REF. TO ASSY. DRG. 04301065003	HZ. NO. OF ITEM 057	HZ. NO. OF HZ. 00	HZ. NO. OF SHEET 4 430 11 65004	HZ. NO. OF SHEET 1
BHARAT HEAVY ELECTRICALS LTD. BHOPAL		APPD. SPS	DRN. RKS	RZ. DATE 05-10-02	HZ. NO. OF SHEET 4 430 11 65004	HZ. NO. OF SHEET 1
BHARAT HEAVY ELECTRICALS LTD. BHOPAL		HZ. NO. OF SHEET 4 430 11 65004	HZ. NO. OF SHEET 1	HZ. NO. OF SHEET 1	HZ. NO. OF SHEET 1	HZ. NO. OF SHEET 1

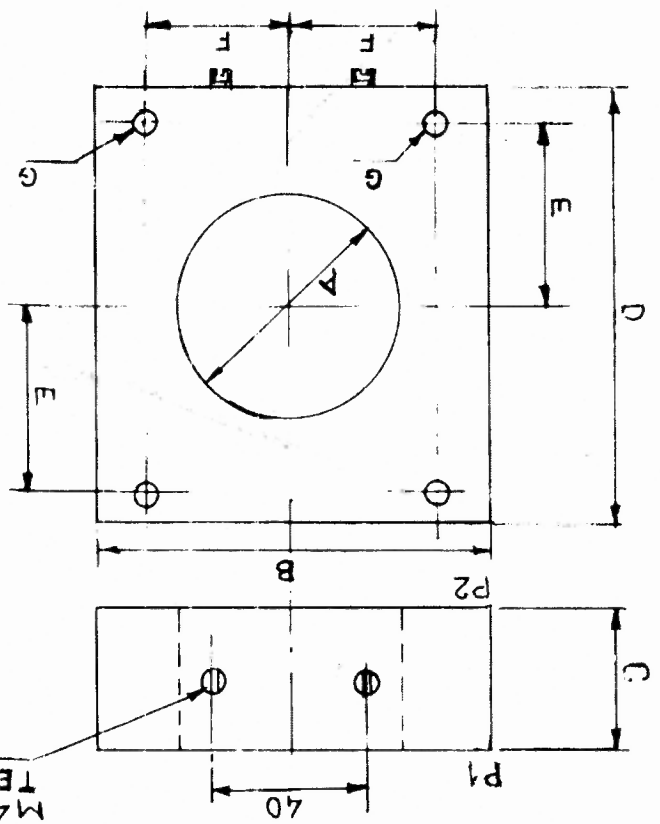
INVENTORY NO.   
 SIGN & DATE   
 REF. DRG. NO.

REMARKS	ITEM NO.	DESCRIPTION	STD.	MATL. CODE	MATL. SPECN.	UNIT	QTY.
B.O.	001	CURRENT TRANSFORMER					

STYLE No. 9044 824329

ITEM	A	B	C	D	E	F	G
1	75	135	40	150	62	50	φ8

- 1- C.T. SHOULD BE SUITABLE FOR OPERATING IN SALINE, HUMID ATMOSPHERE & AMBIENT UPTO 50°C, FULL OF GRIME
2. TERMINALS SHALL BE SCREW TYPE
3. INSULATION SHALL BE SUITABLE FOR 1000 VOLT AC.
- 4- OUTPUT 5 VA, ACCURACY CLASS 1
5. COMPLIANCE TO IS 2705-1992
- 6- LINEARITY TO BE MAINTAINED UPTO 110% OF 2000 AMP.
- 7- TOLERANCE ON ALL DIMENSIONS ±25MM.
- 8- FREQUENCY - 60HZ.



NOTE:-   
 M4 SECONDARY   
 TERMINALS

IT MUST NOT BE USED DIRECTLY OR INDIRECTLY IN ANY WAY DERIMENTAL TO THE INTEREST OF THE COMPANY