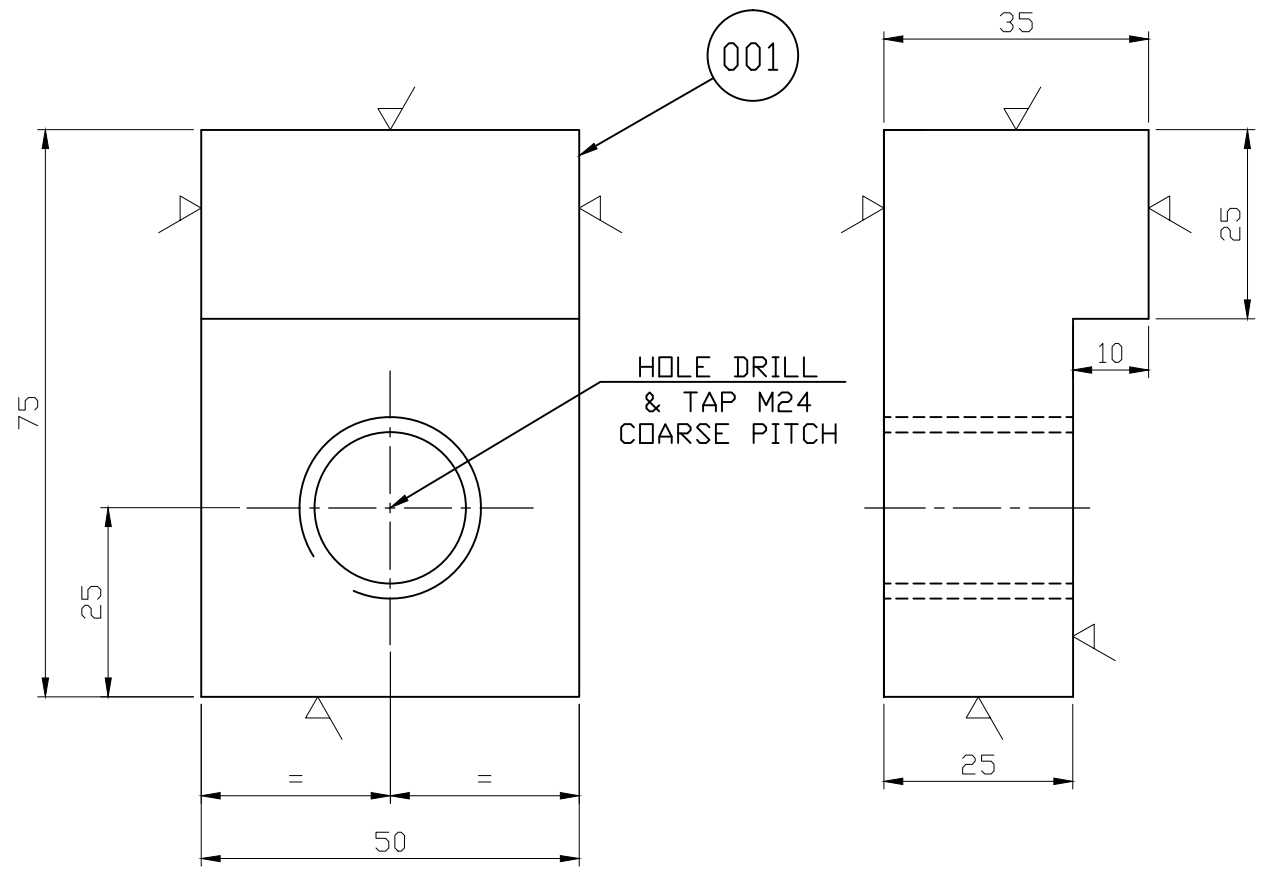


FIRST ANGLE PROJECTION

(ALL DIMENSIONS ARE IN mm)

REV.	DATE	ALTERED	REV.	DATE	ALTERED	RSR	ADDITIONAL INFORMATION	OIL RIGS	
		CHECKED		01	01.11.11	CHECKED		RV	
		APPROVED				APPROVED		RKV	
				DRAWING UPDATED.			STATUS OF DRAWING	M	
							DISTRIBUTION OF PRINTS	C-1,RFM-4 TCX(RFM)-1	

THE INFORMATION ON THIS DOCUMENT IS THE PROPERTY OF BHARAT HEAVY ELECTRICALS LIMITED. IT MUST NOT BE USED DIRECTLY OR INDIRECTLY IN ANY WAY DETRIMENTAL TO THE INTEREST OF THE COMPANY.



REF. DRG. NO.	-		001	STR.ST.SHT 35TKX50	AA1011819198	1.2	
					AA10119	75	
REMARKS	ITEM NO.	DESCRIPTION	STD	MATL. CODE	UNIT	UNIT WT.	
				MATL. SPECN.		QTY.	
SIGN. & DATE	भारत हेवी इलेक्ट्रिकल्स लिमिटेड भोपाल BHARAT HEAVY ELECTRICALS LTD. BHOPAL	नाम/NAME हस्ता./SIGN दि./DATE वेरि की संख्या NO.OF VAR.					
		बनाया DRN. रखा CKD. स्वीकृत APPD.					
INVENTORY NO.	विभाग DEPT. CEE	अन.टोल.नाप की त्रेणी UNTOL. DIMS. GR.	अनुपात SCALE 1:1	भार(कि.ग्रा.) WEIGHT(KG) 1.2	असे.ड्राईंग का संदर्भ REF.TO ASSY.DRG.	मद क्र. ITEM NO.	मद संख्या NO.OF ITEM
	कोड 407 CODE	REF. CG 06503					001
ADDITIONAL INFO	शीर्षक /TITLE				ड्राईंग क्र. /DRAWING NO.	पुन./REV	
GES NO. - 1	ALTERNATOR ALINGMENT PAD				4 440 65 03294	01	
					शीट क्र /SHT.NO 01	शीटों की सं./NO.OF.SHT. 01	