

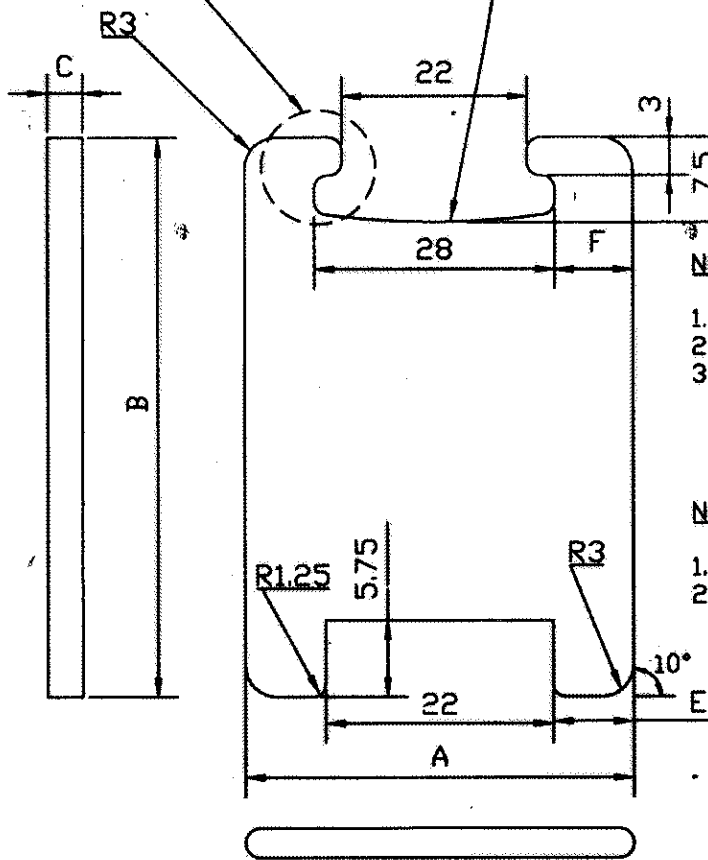
FIRST ANGLE PROJECTION

(ALL DIMENSIONS ARE IN mm)

REV.	DATE	ALTERED	REV.	DATE	ALTERED	TK <i>gaurav</i>	ADDITIONAL INFORMATION	STANDARD
		CHECKED	01	18/08/12	CHECKED	31764	STATUS OF DRAWING	'U'
70mm WIDE TEE BLOCK FOR 3, 2, 1.5 & 1 TK ADDED							DISTRIBUTION	TRE-1 TRM-3 TRX-1
							PRINTS	JHS-1

THE INFORMATION ON THIS DOCUMENT IS THE PROPERTY OF BHARAT HEAVY ELECTRICALS LIMITED. IT MUST NOT BE USED DIRECTLY OR INDIRECTLY IN ANY WAY DETRIMENTAL TO THE INTEREST OF THE COMPANY.

ALL CORNERS TO BE 1 RAD. R100



	013	014	015	016
'C'TK	3	2	1.5	1
A	70	70	70	70
E	24	24	24	24
F	21	21	21	21

NOTES :

- FOR DIM B, REFER ASSY. DRG.
- FOR TOLERANCES REFER TR10112T.
- T-BLOCKS TO BE END CROPPED FROM PRECOMPRESSED P'BD STRIPS.

NOTE TO D'MAN :

- FOR DIMENSION B = L₁ OF COIL + 12
- FOR BLOCK CALL IT. 001 TO 012. & DIM. B.

	001	002	003	004	005	006	007	008	009	010	011	012
'C'TK	3	2	1.5	1	3	2	1.5	1	3	2	1.5	1
A	38	38	38	38	60	60	60	60	51	51	51	51
E	8	8	8	8	19	19	19	19	14.5	14.5	14.5	14.5
F	5	5	5	5	16	16	16	16	11.5	11.5	11.5	11.5

REF. DRG. No.

SIGN & DATE

INVENTORY No.



BHARAT HEAVY ELECTRICALS LTD.
BHOPAL

DRW	NAME	SIGN	DATE
CHD	M. SHRIVASTAVA	<i>[Signature]</i>	08.07.02
APPD	NGP	<i>[Signature]</i>	08.07.02
	JSK	<i>[Signature]</i>	09.07.02

DEPT. TRE	GRADE OF DR. TOL. DIM. C/P/M/E	SCALE X-AXIS Y-AXIS	WEIGHT(KG) N/A	REF. TO ASSY. DRG.	ITEM No.	75 77 No. OF ITEMS
CODE 406						

TITLE	CARD CODE	DRAWING No.	22 23 24
PRESS BOARD T-BLOCKS	4 499 72 00012	01	01
	SHEET No.	No. OF SHEETS	
	01	01	