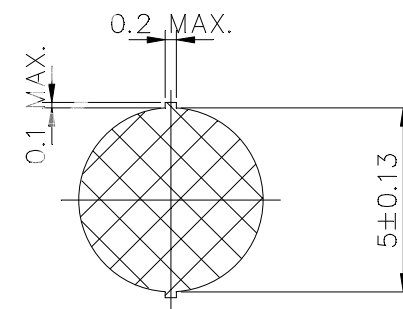
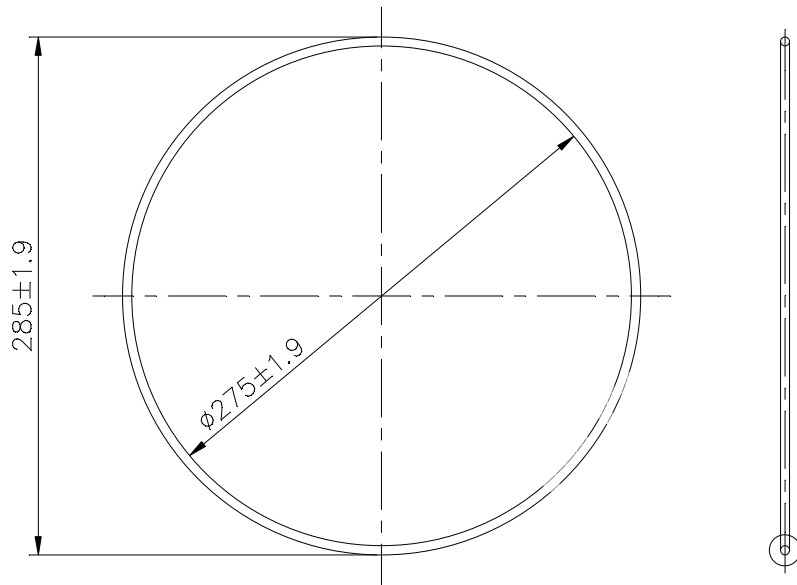


FIRST ANGLE PROJECTION


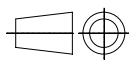
(ALL DIMENSIONS ARE IN mm)

THE INFORMATION ON THIS DOCUMENT IS THE PROPERTY OF BHARAT HEAVY ELECTRICALS LIMITED IT MUST NOT BE USED DIRECTLY OR INDIRECTLY IN ANY WAY DETRIMENTAL TO THE INTEREST OF THE COMPANY

REV. 03	DATE 17.11.04	ALTERED CHECKED APPROVED H.R.P.	REV. 02	DATE 26.9.96	ALTERED CHECKED APPROVED	Sd/- Sd/- Sd/-	ADDITIONAL INFORMATION
DRG. REDRAWN.  (DCA NO. 21499)			DIM. 285 & DIA. 275 WERE DIA. 286 & DIA. 276 RESPTLY.			STATUS OF DRAWING B	
						DISTRIBUTION OF PRINTS □.C.-1 SWM-3 TCX-1	



CROSS SECTION

REF. DRG. NO.	001		O-SEAL, NITRILE BUTADIENE RUBBER		BP7240198		0.022		
	75	25	27	29	58	59	46	54	
	REMARKS		ITEM NO.	DESCRIPTION		STD	55	56	68
						A	C	UNIT	UNIT WT.
									QTY.
SIGN. & DATE	28 → CARD TYPE-3		28 → CARD TYPE-1		28 → CARD TYPE-2				
			भारत हे वी इलेक्ट्रीकल्स लिमिटेड भोपाल BHARAT HEAVY ELECTRICALS LTD. BHOPAL			नाम NAME	हस्ताक्षर SIGN	दिनांक DATE	पेरि. की संख्या NO. OF VAR.
						कनारा DRN	G.P.	Sd/-	12.1.94
					जीया CKD	P.S.S.	Sd/-	29.4.94	-
					अनुमोदित APPD	D.K.D.	Sd/-	5.5.94	-
INVENTORY NO.	विभाग DEPT	अन. टाल. नाप की श्रेणी UNTO. DIMS. GR.		अनुपात SCALE	भार कि.ग्रा. WEIGHT (K.G.)	असेम्बली ड्रॉइंग का संदर्भ REF. TO ASSY. DRG.		मद क्र. ITEM NO.	मद संख्या NO. OF ITEM
	कोड CODE	AA0230208		1:4	-	05171000501		014	001
	शीर्षक/TITLE					O-RING			आरेख क्र./DRAWING NO. 45171000504
					पृष्ठ क्र./SHT. No. 01			पृष्ठों की संख्या/NO. OF SHT. 01	
								पुनः/REV. NO. OF 03	