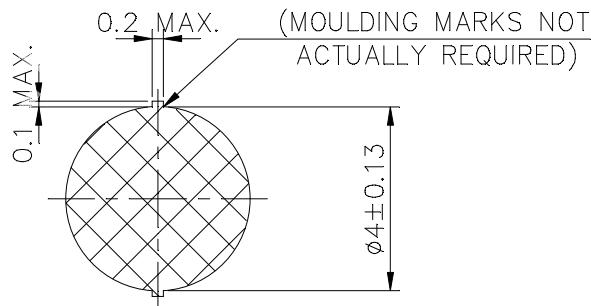
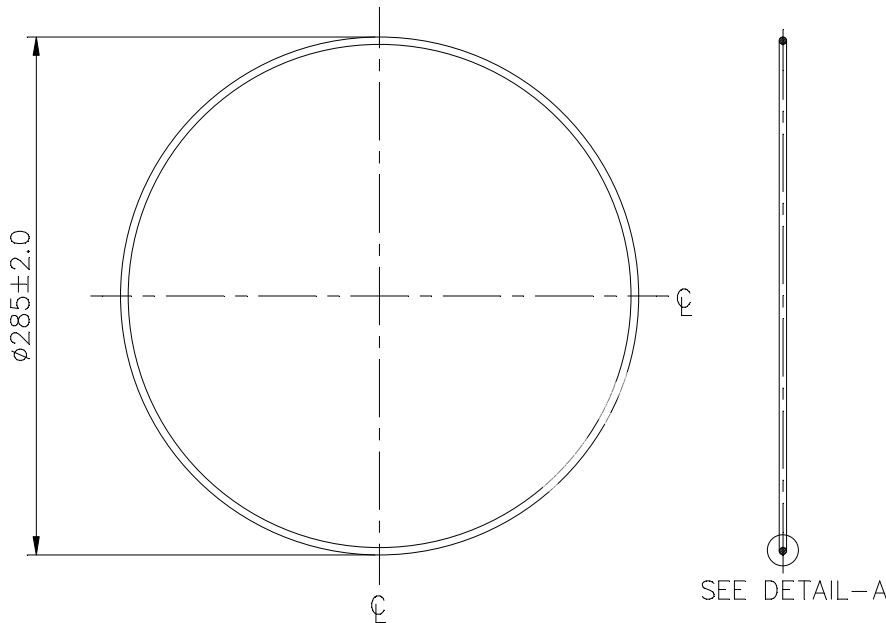


FIRST ANGLE PROJECTION


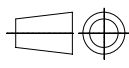
(ALL DIMENSIONS ARE IN mm)

THE INFORMATION ON THIS DOCUMENT IS THE PROPERTY OF BHARAT HEAVY ELECTRICALS LIMITED
IT MUST NOT BE USED DIRECTLY OR INDIRECTLY IN ANY WAY DETRIMENTAL TO THE INTEREST OF THE COMPANY

REV.	DATE	ALTERED	REV.	DATE	ALTERED	ADDITIONAL INFORMATION
		CHECKED			CHECKED	
		APPROVED			APPROVED	
			01	13.06.12	AKN RRR DIVYA	
DETAIL 'A' ADDED				STATUS OF DRAWING B		
(DCA NO. 31136)				DISTRIBUTION OF PRINTS □.C.-1 SWM-3 TCX-1		



DETAIL-A
(CROSS SECTIONAL VIEW)

REF. DRG. NO.	BP9069112213		001	O-SEAL, NITRILE BUTADIENE RUBBER		BP7240198		0.014	
	REMARKS		75 25 27 29	DESCRIPTION		58 59 46	54 55 56	68	71
			ITEM NO.			STD	A C	UNIT	UNIT WT.
								QTY.	
SIGN. & DATE	28 → CARD TYPE-3		28 → CARD TYPE-1		28 → CARD TYPE-2				
			भारत हेवी इलेक्ट्रीकल्स लिमिटेड भोपाल BHARAT HEAVY ELECTRICALS LTD. BHOPAL			नाम NAME	हस्ताक्षर SIGN	दिनांक DATE	पेरि. की संख्या NO. OF VAR.
						करारा DRN	S.U.S.	8.2.06	-
					जीया CKD	H.R.P.	8.2.06		
					अनुमोदित APPD	D.K.D.	8.2.06		
INVENTORY NO.	विभाग DEPT	अन. टोल. नाप की श्रेणी UNTOI.DIMS. GR.		अनुपात SCALE	भार. कि.ग्रा. WEIGHT (K.G.)	असेम्बली का संदर्भ REF. TO ASSY. DRG.		मद क्र. ITEM NO.	मद संख्या NO. OF ITEM
	कोड CODE	AA0230208		1:4	-	05171000511		013	001
	शीर्षक/TITLE			O-RING			आरेख क्र./DRAWING NO. 45171000580		
						पृष्ठ क्र./SHT. No.	01	पृष्ठों की संख्या/NO. OF SHT. 01	