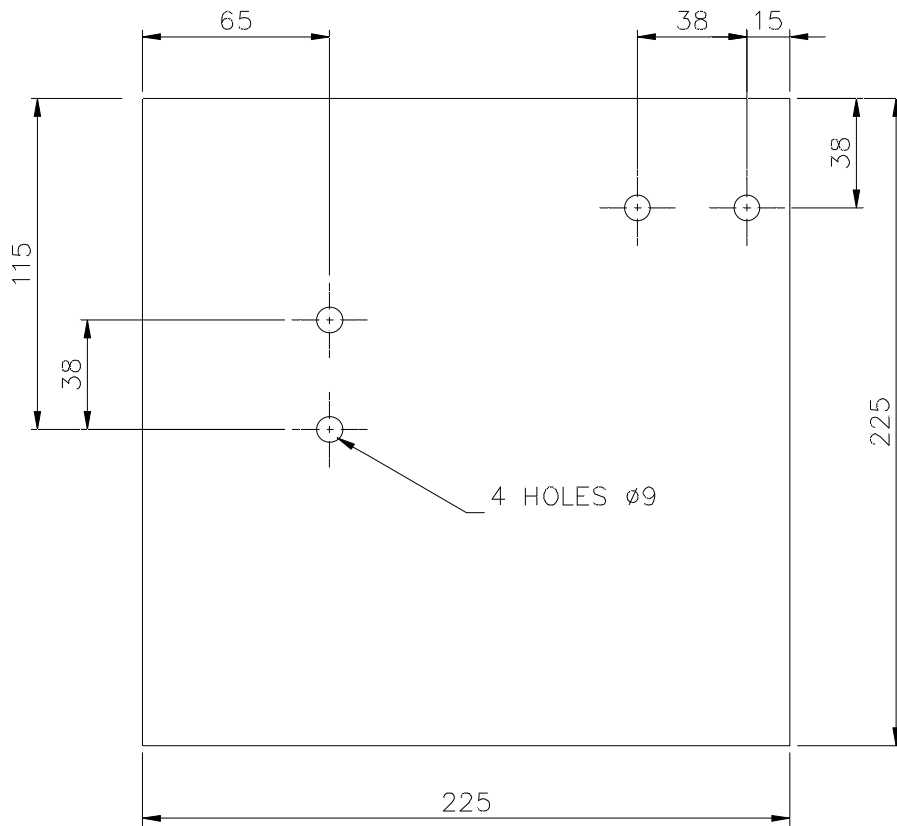


THE INFORMATION ON THIS DOCUMENT IS THE PROPERTY OF BHARAT HEAVY ELECTRICALS LIMITED. IT MUST NOT BE USED DIRECTLY OR INDIRECTLY IN ANY WAY DETRIMENTAL TO THE INTEREST OF THE COMPANY.

REV. 02	DATE 11.03.09	ALTERED CHECKED	K.S.M. M.A.K.	REV. 01	DATE 10.6.03	ALTERED CHECKED	K.S.M. H.R.P.	ADDITIONAL INFORMATION
HOLES RELOCATED AS PER SHOP REQMENT. (CN-28672)				DRAWING REDRAWN (DCA - 12992)				STATUS OF DRAWING B
								DISTRIBUTION OF PRINTS 0/C-1 SWM-3 TCX-1

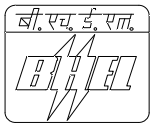
REV. 03	DATE 27.01.10	ALTD CKD	K.S.M. M.A.K.
MATERIAL WAS 3X220X225 SMC.COD WAS NOT ON. (CN-29542)			



45216301538-R03-S01
REF. DRG. No.

REMARKS	ITEM NO. 001	DESCRIPTION 3TK.X225X225 LG. SMC SHEET	STD.	MATL. CODE BP2761790138	A	UNITS KG.	UNIT WT. 0.226
				MATL. SPECN SG 10707	C		QTY. 001

SIGN & DATE
INVENTORY No.

 BHARAT HEAVY ELECTRICALS LIMITED BHOPAL		NAME	SIGN.	DATE	NO. OF VAR	
		DRN	SUS	Sd/-		04-10-00
		CHD	KSM	Sd/-		05-10-00
		APPD	J.S.PURIA	Sd/-	05-10-00	-
DEPT. SWE	UN. TOL.DIM.GR.	SCALE	WEIGHT (Kg.)	REF. TO ASSY. DRG.	ITEM NO.	NO. OF ITEMS
CODE 409	DIM. C/M/F	1: 2.5	-	25216601619	014	001
TITLE				DRAWING No.		REV.
BARRIER				4 521 63 01538		03
SHEET NO. 01			NO. OF SHEETS 01			