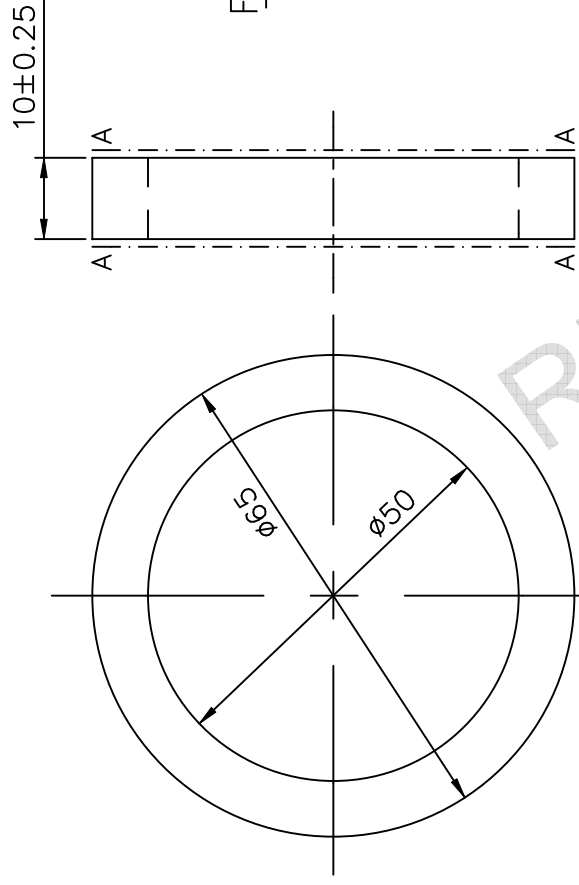


FIRST ANGLE PROJECTION

(ALL DIMENSIONS ARE IN mm)

REV.	DATE	ALTERED CHECKED APPROVED	REV. 02	DATE 27.08.01	ALTERED CHECKED APPROVED	CMC SR NB	ADDITIONAL INFORMATION
DRAWING REDRAWN BP CODE 12 DIGIT ADDED THICKNESS WAS 11 mm (DCA10908)			STATUS OF DRAWING		B		
DISTRIBUTION			O.C. -1		SMM -3		
OF PRINTS			TCX -1				



FINISH : - NATURAL

IMPORTANT NOTE :-

1. MATERIAL SHOULD BE FREE FROM CRACKS, POROSITY, AGING AND INCLUSION/DEPOSITE OF DUST OR ANY OTHER FOREIGN BODY. MATERIAL SHOULD BE FREE FROM MOULDING DEFECTS.
2. THE PORTION MARKED A- - SHOULD BE FREE FROM HAIR LINE CRACKS IN ACROSS & TRANSVERSE DIRECTION TO THE THICKNESS.
3. MATERIAL SHOULD BE FREE FROM SURFACE PORES RESULTING FROM MOULDING DEFECTS.
4. MATERIAL SHOULD BE SUITABLE FOR WORKING TEMP. UP TO 85°C AND SHOULD HAVE VERY GOOD RESISTANCE AGAINST AGING IN OUTDOOR APPLICATION AND TROPICAL CLIMATE.
5. MATERIAL SHOULD BE SUITABLE FOR 30% COMPRESSION.

PACKING :-

RINGS SHOULD BE SEPERATELY PACKED IN PLASTIC BAGS.

BP9099437057	001	10TK.x65x65 CHLOROPRENE RUBBER MOULDING	AA 59803	0.093
REMARKS	ITEM NO	DESCRIPTION	MATL. CODE A C	UNIT WT. QTY.



भारत हेवी इलेक्ट्रिकल्स लिमिटेड
भोपाल

BHARAT HEAVY ELECTRICALS LTD.
BHOPAL

विभाग
DEPT SWE
कोड
CODE 409

अं. टंक. वाप की श्रेणी
UNTDL.DIMS. GR.
M
AA 0230208



अनुपात
SCALE
1:1

भारत का.मा.
WEIGHT (KGS.)
-

खाना DRN	RRG	sd/-	दिनांक DATE	02.04.86
जांचा CHK	MZK	sd/-	सं. सं. ITEM NO.	04.04.86
अनुमोदित APPD	MAS	sd/-	मा. सं. ITEM NO.	04.04.86

उत्प्रेक्षित ग का संदर्भ
REF. TO ASSY. DRG.
3 521 70 01520

आरेख क्र./DRAWING NO.
4 521 70 01530

पृष्ठ क्र./SHT. No.01
पृष्ठों की संख्या/NO. OF SHT. 01

शीर्षक/TITLE

GASKET FOR TOP CAP

THE INFORMATION ON THIS DOCUMENT IS THE PROPERTY OF BHARAT HEAVY ELECTRICALS LIMITED

IT MUST NOT BE USED DIRECTLY OR INDIRECTLY IN ANY WAY DETRIMENTAL TO THE INTEREST OF THE COMPANY

YUP-45217001530.DWG
REF. DRG. NO.

SIGN. & DATE

INVENTORY NO.