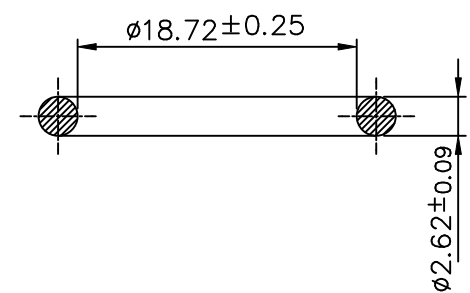
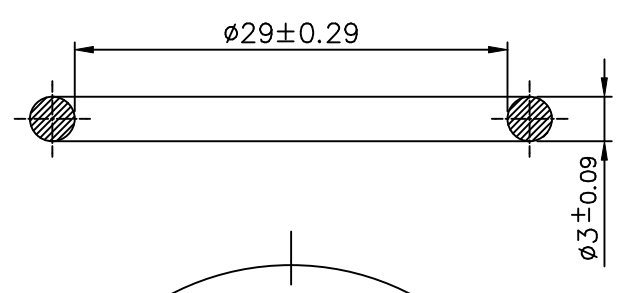


REV. 05	DATE 28.03.04	ALTERED CHECKED	REV. 04	DATE 03.05.03	ALTERED CHECKED	ADDITIONAL INFORMATION STATUS OF DRAWING B DISTRIBUTION O/C-1 SWM-3 OF PRINTS TCX-1
IT.002 ADDED. (DCA 20116)			IT.002 DELETED. (DCA 12349)			
THE INFORMATION ON THIS DOCUMENT IS THE PROPERTY OF BHARAT HEAVY ELECTRICALS LIMITED. IT MUST NOT BE USED DIRECTLY OR INDIRECTLY IN ANY WAY DETRIMENTAL TO THE INTEREST OF THE COMPANY.						




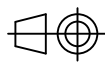
ITEM 001



ITEM 002

RELEASED

45217001617-R03-S01 REF. DRG. No.	BP 9069471647	002	'O' SEAL CHLOROPRENE RUBBER MOULDING	BS 1806-1989 AA 59803	KG.	0.012 001
	BP 9069437783	001	'O' SEAL CHLOROPRENE RUBBER MOULDING	BS 1806-1989 AA 59803	KG.	0.006 001
	REMARKS	ITEM NO.	DESCRIPTION	STD. MATL. CODE MATL. SPECN	A - C UNITS	UNIT WT. QTY.

SIGN & DATE	 BHATAT HEAVY ELECTRICALS LIMITED BHOPAL	NAME	SIGN.	DATE	NO. OF VAR		
		DRN R.R.G.	Sd/-	19.10.86			
INVENTORY No.	DEPT. SWE CODE 409	UN. TOL. DIM. GR. M AA 0230208	 SCALE 2:1	WEIGHT (Kg.) -	REF. TO ASSY. DRG. 35217001520 35213030767	ITEM NO. 021 048	NO. OF ITEMS 002
		'O' SEAL PVN-12/36		SHEET NO. 01		NO. OF SHEETS 01	