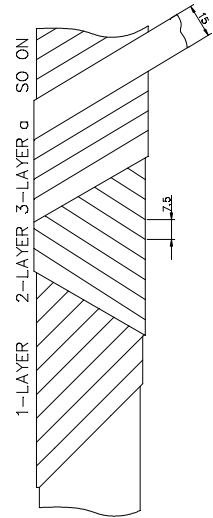
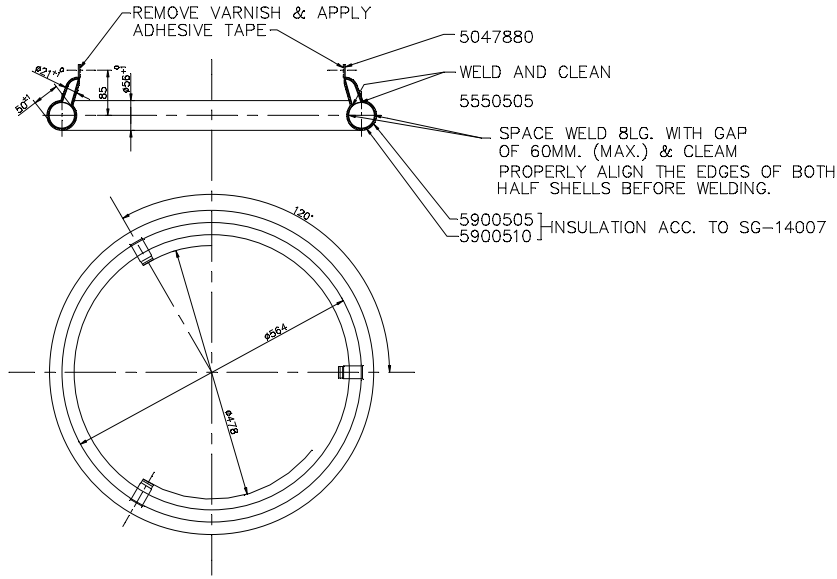


5010350


DRG NO

TOOL LIST		
ITEM	TOOL NO.	DESCRIPTION
-	1463351	WELDING FIXTURE
-	1463352	BRAZING FIXTURE



NOTES: -

1. ROUND SURFACES TO BE SMOOTH, CLEAN AND FREE FROM SHARP EDGE, DENTS, SCRATCHES, PITTING MARKS ETC. AS PER SG-14005
2. APPLY DR. BECK'S ELMO LUFT-1A VARNISH ON COMPLETE SURFACE BEFORE INSULATION.
3. QUALITY & ACCEPTANCE NORMS AS PER SG-14028.

ADDITIONAL INFORMATION				TYPE OF PRODUCT OR NAME OF CUST/PROJ							
STATUS OF DRAWING				ON LOAD TAPCHANGER							
DISTRIBUTION OF PRINTS				 BHARAT HEAVY ELECTRICALS LIMITED BHOPAL							
SWE	SWM	TCX		DRN	NAME	SIGN	DATE	NO. OF VAR			
1	3	1		CKD	I.J.S.	Sd/-	07.01.77	-			
				APPD	B.S.S.	Sd/-	31.01.77	-			
					B.S.S.	Sd/-	01.02.77	-			
REV	DATE	ALTD	DEPT	SWE	UN.	TOL.DIM.GR.	SCALE	WEIGHT (KG.)	REF TO ASSY	ITEM NO.	NO. OF ITEMS
07		ALTD	SWE	409	M	AA 02.30208	1:5				
		CKD									
		APPD									
DRG. REDRAWN.				TITLE				DRG NO		REV.	
(D.C.A. NO. 22809)				GRADING RING SUB-ASSY.				5010350		07	
								SHT.NO. 01		NO. OF SHT. 01	