

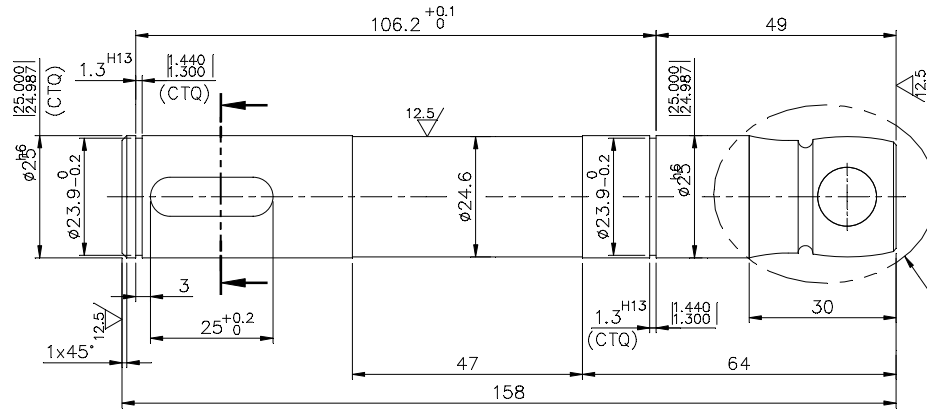
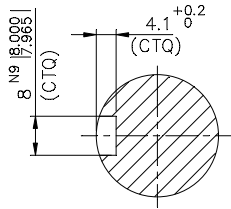
THE INFORMATION ON THIS DOCUMENT IS THE PROPERTY OF BHARAT HEAVY ELECTRICALS LIMITED. IT MUST NOT BE USED DIRECTLY OR INDIRECTLY IN ANY WAY DETRIMENTAL TO THE INTEREST OF THE COMPANY.

5022183-R02-S01  
REF.DRG.NO.

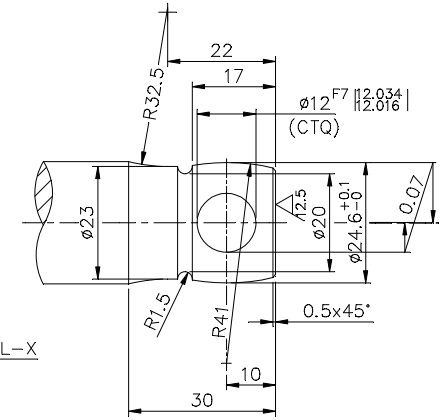
SIGN. & DATE

INVENTORY NO.

5022183 DRG NO



SEE DETAIL-X



DETAIL-X

TOOL LIST		
ITEM	TOOL NO.	DESCRIPTION
-	1463098	GROOVING TOOL 1.3 H13
-	1520046	FORM TOOL R32.5
-	1520240	SOLID CARBIDE REAMER 12 F7
-	1463457	DRILL JIG
-	1463924	FROM TOOL R41
-	1463082	RADIUS TOOL R1.5
-	1520192	PLUG GAUGE 12 F7

001		01	001	28 DIA.X158 LG. STAINLESS STEEL BAR			AA 1070221139	0.58
VAR 00	REMARKS	VAR NO.	ITEM NO.	DESCRIPTION	STD	DRAWING NO.	IT.ND. MATERIAL CODE	UNIT WT.
							AA 10721	001
							VAR MATL. SPCN.	QTY

3.2 / (12.5 /)

ADDITIONAL INFORMATION				TYPE OF PRODUCT OR NAME OF CUST/PROJ						ON LOAD TAPCHANGER			
STATUS OF DRAWING				DISTRIBUTION OF PRINTS						NAME SIGN DATE NO. OF VAR			
SWE SWM TCX				SWE SWM TCX						DRN A.K.U. Sd/- 22.06.80			
1 3 1				1 3 1						CKD B.S.R. Sd/- 22.06.80			
										APPD R.K.S. Sd/- 22.06.80			
REV 03	DATE	ALTD	DEPT	SWE	UN. TOL. DIMGR.	M	SCALE	WEIGHT (KG.)	REF TO ASSY	ITEM NO.	NO. OF ITEMS		
		CKD	409	409	AA 0230208		1:1		5004196				
DRG. REDRAWN. DRAWING WAS A4 SIZE (D.C.A. NO.21858)				TITLE						DRG NO			
				DRIVING SHAFT HEAD 50						5022183			
										SHT.NO. 01		NO. OF SHT. 01	