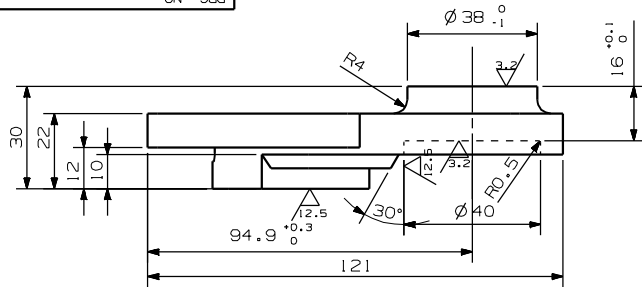
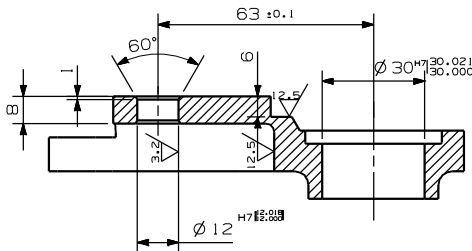


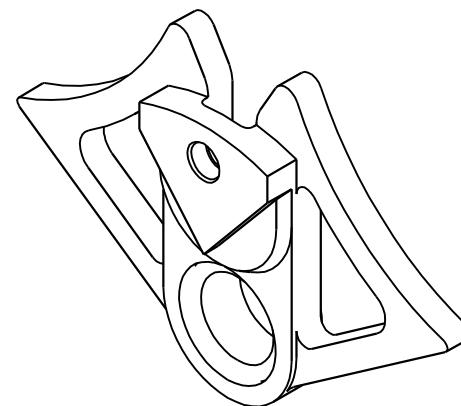
5043260
DRG. NO.



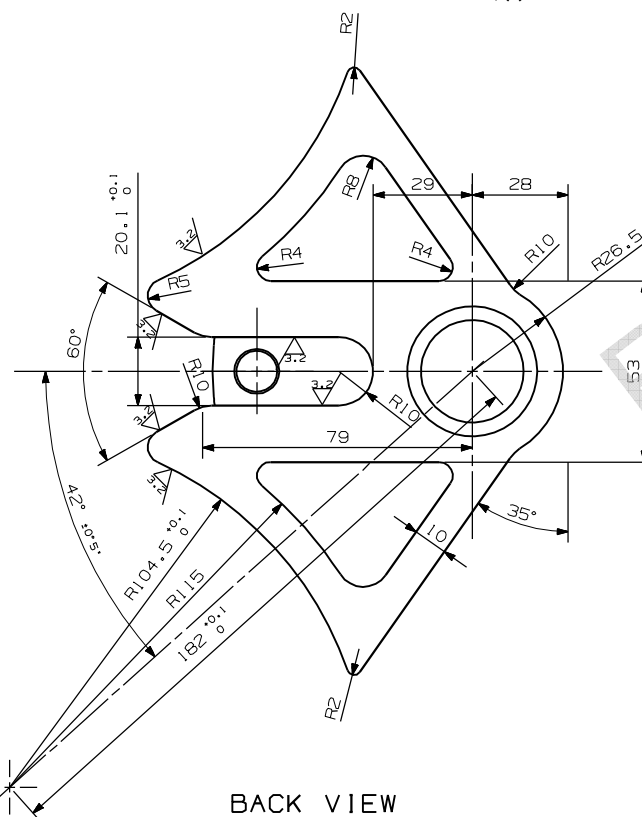
BOTTOM VIEW



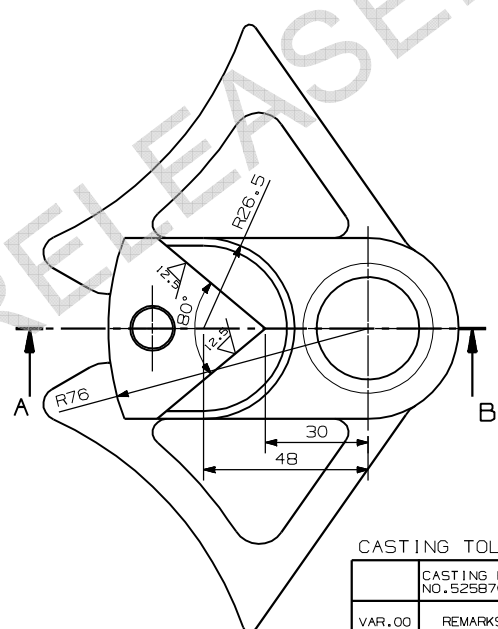
SECTION A-B



ISO VIEW



BACK VIEW



VIEW FROM X

TOOL LIST		
ITEM	TOOL NO.	DESCRIPTION
-	1463652	MILLING FIXTURE
-	1463653	DRILL JIG FOR 12 H7 HOLE
-	1463654	COPY MILLING FIXTURE
-	1463655	COPY MILLING TEMPLATE FOR R 104.5 & SLOT
-	1463656	COPY MILLING TEMPLATE FOR 80°
-	1520362	CHECKING GAUGE FOR R 104.5° WITH RESPECT
-	1520363	CHECKING GAUGE FOR SLOT DIMN. 20.1° WITH RESPECT TO HOLES.

ALTERNATE MATERIAL -
CARBON STEEL FORGING CLASS-4 NORMALISED-AA 19333.
RADIUS NOT SHOWN=R2.5

CASTING TOLERANCE GTB 16-DIN 1685

CASTING PART NO. 525B700	001	CARBON STEEL (INVESTMENT CASTING)	AA 19512	0.85
VAR.00	REMARKS	VAR NO.	ITEM NO.	DESCRIPTION
				UNIT
				WT.
				QTY.

ADDITIONAL INFORMATION		TYPE OF PRODUCT OR NAME OF CUSTOMER/PROJECT ON LOAD TAPCHANGER			
STATUS OF DRAWING		DISTRIBUTION OF PRINTS			
SWE	SWM	TCX			
1	5	1			
REV. DATE ALTERED CHECKED APPD		DVTG K.S.		DPT. UNTOL. DMS. GR.	SCALE WEIGHT REF. TO ASSY. DRG. ITEM NO. NO. OF ITEM
08	25.06.11				1:1 (K.G.)
DRAWING REDRAWN IN UG		TITLE		DRAWING NO. 5043260	
		REVERSING SWITCH FORK		SHT NO. 01 NO. OF SHT 01	

ZONE	REV.	DATE	ALTERED CHECKED APPD	ZONE	REV.	DATE	ALTERED CHECKED APPD	ZONE	REV.	DATE	ALTERED CHECKED APPD	ZONE	REV.	DATE	ALTERED CHECKED APPD

INVENTORY NO. 1 SIGN. AND DATE

5043260-007-501 REF. DRG. NO.

THE INFORMATION ON THIS DOCUMENT IS THE PROPERTY OF BHARAT HEAVY ELECTRICALS LIMITED IT MUST NOT BE USED DIRECTLY OR INDIRECTLY IN ANY WAY DETRIMENTAL TO THE INTEREST OF THE COMPANY