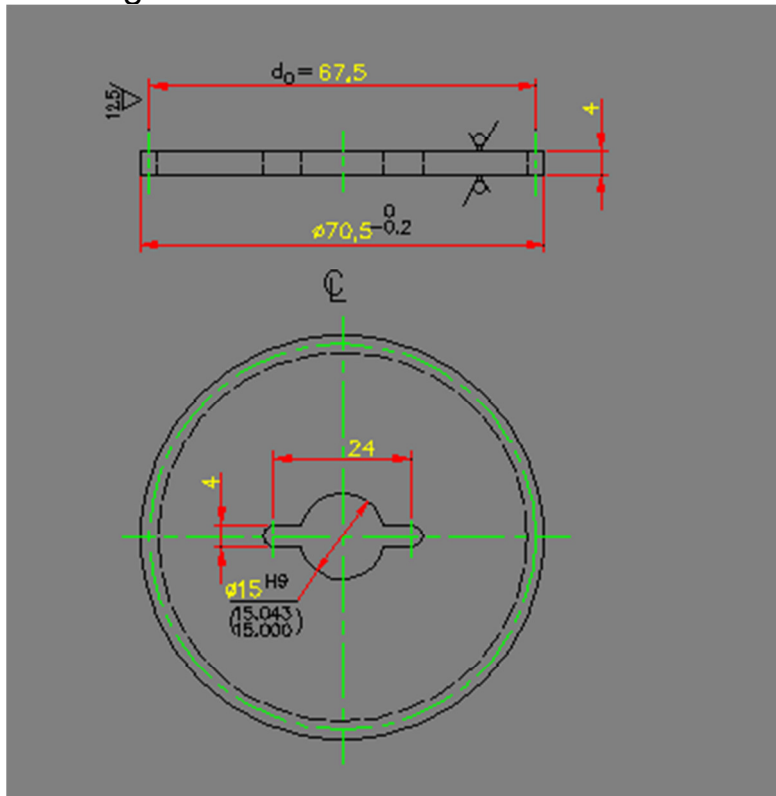


## Name: Gear (5047560)

Size/material: 4 Tk X 70.5 dia (in mm) HR Carbon sheet

Weight in Kg: 0.1

Drawing:



Gear profile:

SPUR GEAR STRAIGHT		
NO. OF TEETH	$z$	45
MODULE NORMAL	$m_n$	1.5
PRESSURE ANGLE	$\alpha_n$	20°
PITCH CIRCLE DIA.	$d_o$	67.5
TOOTH WIDTH		25.872
TOOTH WIDTH DEVIATION	$\Delta_{sw}$	$\pm 0.015$
MEASURE OVER X TEETH		5
DEVIATION FROM ADD (CIRCULAR RUNNING)	$f_r$	0.05
DISTANCE BETWEEN CENTRE LINE	$a$	41.25
REVOLUTION PER MINUTE	$n$	~1.3
NO. OF MATING GEAR		5047083