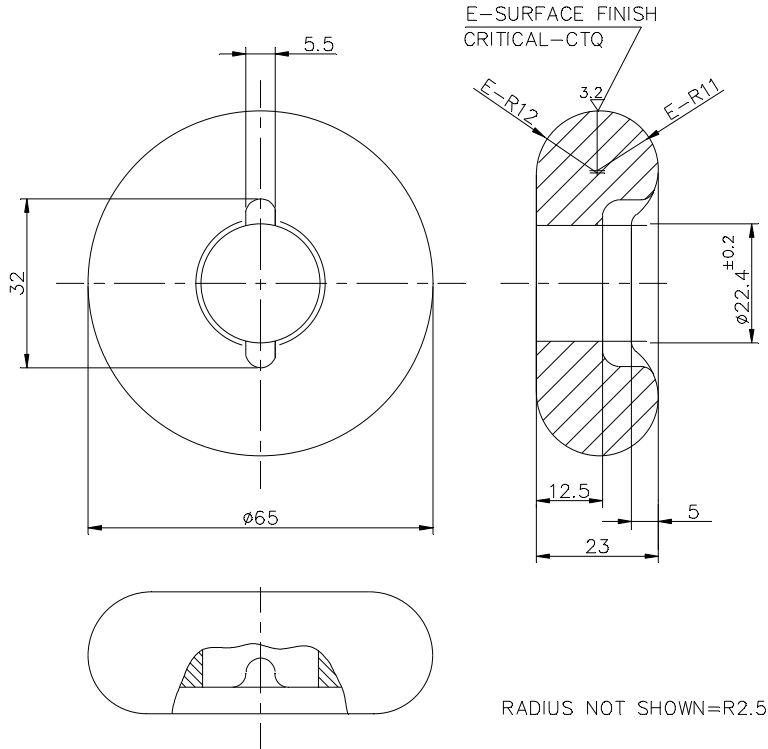


THE INFORMATION ON THIS DOCUMENT IS THE PROPERTY OF BHARAT HEAVY ELECTRICALS LIMITED IT MUST NOT BE USED DIRECTLY OR INDIRECTLY IN ANY WAY DETRIMENTAL TO THE INTEREST OF THE COMPANY

FIRST ANGLE PROJECTION

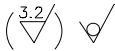
(ALL DIMENSIONS ARE IN mm)

REV.	DATE	ALTERED	REV.	DATE	ALTERED	VD	ADDITIONAL INFORMATION
		CHECKED	04	17.11.11	CHECKED	KS	
		APPROVED			APPROVED	SKP	
			DRG. REDRAWN.			STATUS OF DRAWING	
			(D.C.A. NO.-30773)			DISTRIBUTION OF PRINTS	
						SWE	1
						SWM	3
						TCX	1



NOTE: -

FOR ACCEPTANCE, ONLY CHEMICAL COMPOSITION TO AA 19954 AND E-SURFACE FINSH-CTQ (CRITICAL TO QUALITY) TO BE VARIFIED



5052229-R03-S01 REF. DRG. NO.

CASTING PART NO. 5238381	001	ALUMINIUM ALLOY PRESSURE DIE CASTING	-	0.145
65	75	25	27	29
REMARKS	ITEM NO.	DESCRIPTION	UNIT	QTY.
			KG	001
			UNIT	65
			UNIT	71

28 → CARD TYPE-3 28 → CARD TYPE-1 28 → CARD TYPE-2

	भारत हेवी इलेक्ट्रिकल्स लिमिटेड भोपाल		नाम	हस्ताक्षर	दिनांक	वे. रि. की संख्या
	BHARAT HEAVY ELECTRICALS LTD. BHOPAL		DRN V.KUMAR	Sd/-	01.01.77	No. of VAR.
			ओ. डी. BSR	Sd/-	04.01.77	
			अनुमोदित BSS	Sd/-	08.01.77	

विभाग DEPT SWE	उत्प. टोल. नाप की श्रेणी UNTOLO.DIMS. GR. M	उत्पात SCALE 1:1	भार. व. भार WEIGHT (K.G.) -	उत्प. ड्रॉइंग का संदर्भ REF. TO ASSY. DRG. 5016739,742	सद. क्र. ITEM NO. -	सद. संख्या NO. OF ITEM 001
कोड CODE 409	AA 0230208					

शीट/REV. 04	CONTACT SCREENING (ON LOAD TAP CHANGER)	ड्राइंग नं./DRAWING NO. 5052229	पृष्ठ नं./SHT. No. 01	पृष्ठों की संख्या/NO. OF SHT. 01
-------------	---	---------------------------------	-----------------------	----------------------------------